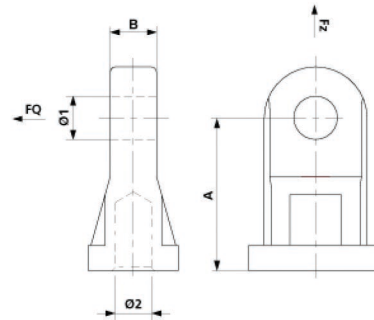


Tongue, with thread M16

Item number D2357-01



Dimensions

A: 60 mm
Ø2: M16
B: 18 mm
Ø1: 17 mm

Material and weight

Weight: 0.160 kg
Material: Al

Loads

Breaking load F on traction: 38 kN
Breaking load F across: 18 kN

Specification

Thread depth: 18 mm

Comments

- Use: Multifunction for various ARCAS parts



Southwire™



A COLAS RAIL COMPANY

Contact Us: Transit@southwire.com