



Southwire™

STRAIGHT LIQUIDTIGHT CONNECTORS WITH INSULATED THROAT - ZINC

FEATURES

- Liquidtight, raintight, oil-tight
- Straight connectors
- Assembled with a die-cast locknut
- Insulated throat protects against abrasion damage

APPLICATION

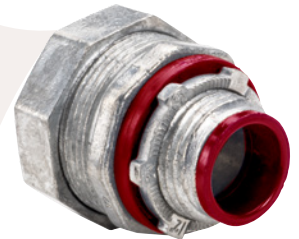
- For use with metallic and non-metallic "Type B" liquidtight conduit

STANDARD MATERIAL

- Zinc die-cast

CERTIFICATIONS

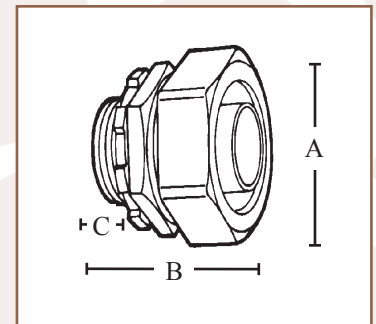
- cULus Listed



470i



PART #	SIZE	INNER QTY.	MASTER QTY.	WEIGHT/CASE (LBS.)	A	B	C
470I	3/8" 1/2" KO	20	200	40	1.446"	1.260"	.40"
471I	1/2"	20	200	34	1.50"	1.385"	.42"
472I	3/4"	10	100	25	1.603"	1.72"	.42"
473I	1"	5	50	22	1.792"	1.90"	.550"
474I	1-1/4"	5	50	34	1.90"	2.29"	.546"
475I	1-1/2"	2	20	18	1.937"	2.633"	.52"
476I	2"	2	20	28	2.08"	3.156"	.585"
LQA-1250-I	2-1/2"	---	1	1	3.025"	4.205"	.775"
LQA-1300-I	3"	---	1	2	3.53"	4.91"	.92"
LQA-1350-I	3-1/2"	---	1	3	3.66"	5.47"	.92"
LQA-1400-I	4"	---	1	4	3.875"	5.925"	.987"



Rev. 1, 02/26

**BUILT FOR DURABILITY.
BUILT FOR RELIABILITY.
BUILT FOR WORK.™**

1-855-798-6657 | SOUTHWIRE.COM

©2026 Southwire Company, LLC. All rights reserved.
*Registered Trademark & ™Trademark of Southwire Company, LLC.