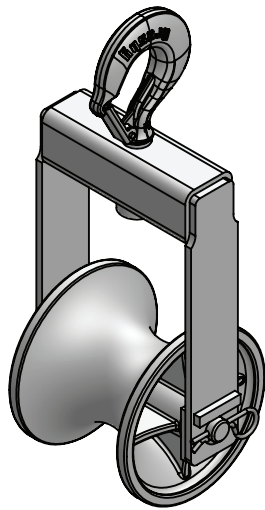
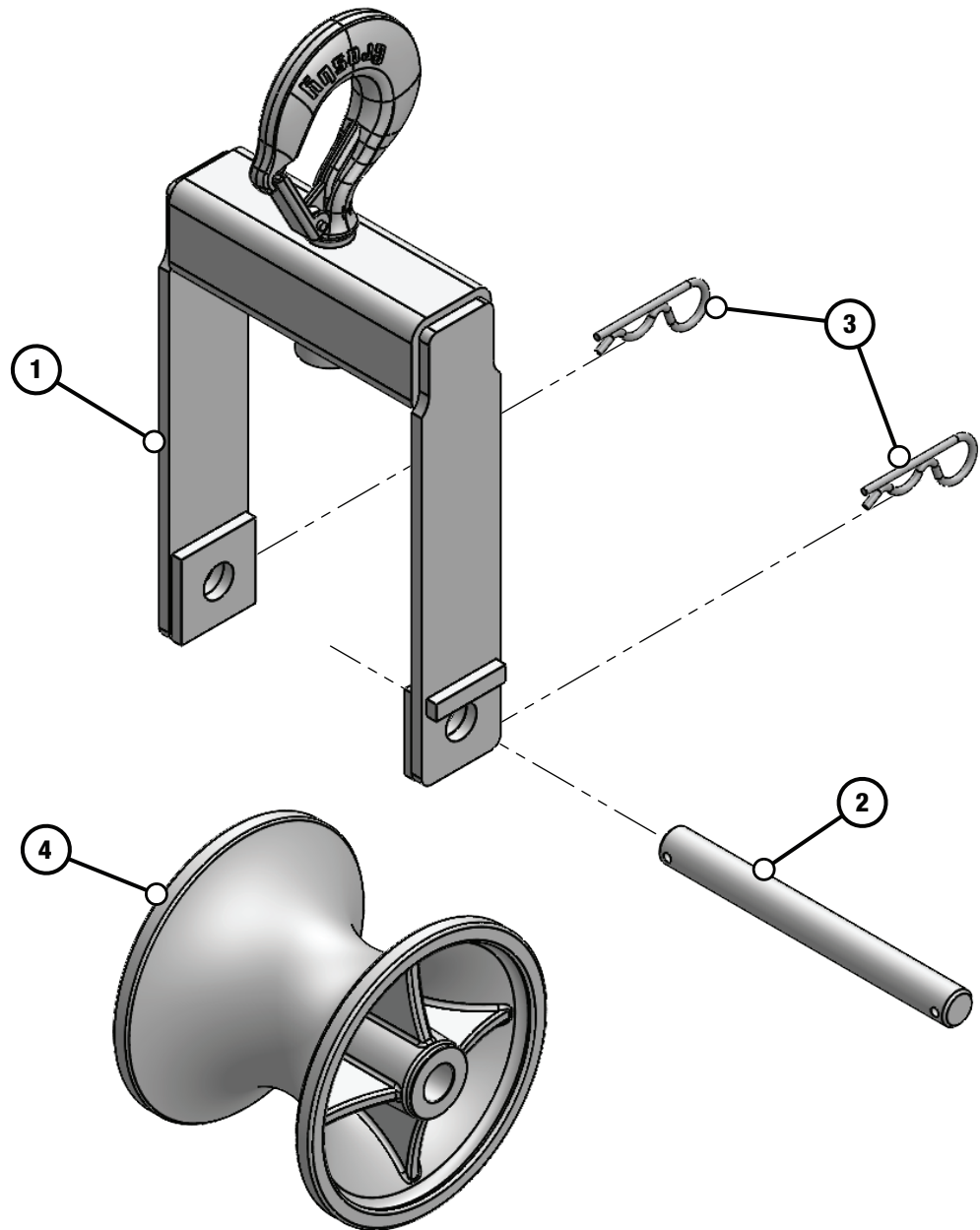


HOOK SHEAVE, 6" AL, 4K DIAGRAM

(SHS6-4)



ISOMETRIC VIEW



ITEM NO.	STOCK NUMBER	MODEL NUMBER	DESCRIPTION
1	73643940	MH-020	WELDMENT, 6" HOOK SHEAVE, 6" W X 10" H
2	73644040	MH-047	AXLE, 3/4 x 6 3/8 USABLE
3	98335A084	MCMaster-CARR	HITCH PIN CLIP, 5/8 - 3/4, 9/64 WIRE, ZINC PLATED
4	73644140	MH-001-1	SHEAVE, WITH BEARINGS, 6 DIA, 5 WIDE



1-855-798-6657 | SOUTHWIRE.COM

©2026 Southwire Company, LLC. All rights reserved.
*Registered Trademark & ™Trademark of Southwire Company, LLC.