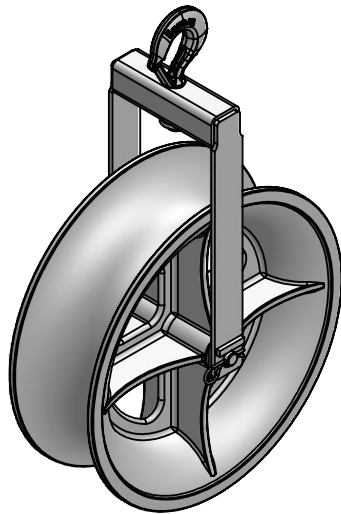
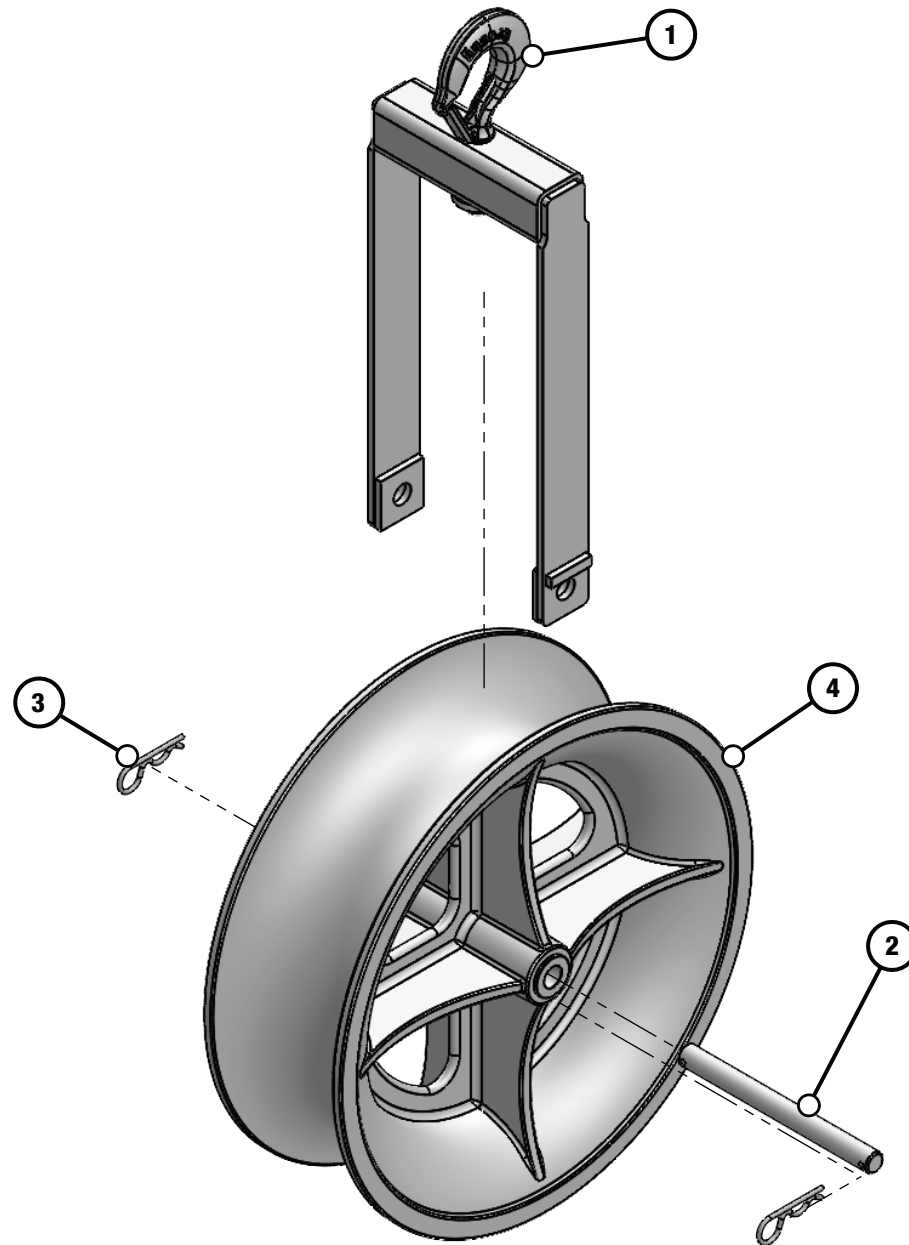


HOOK SHEAVE, 18" AL, 8K DIAGRAM

(SHS18-8)



ISOMETRIC VIEW



ITEM NO.	STOCK NUMBER	MODEL NUMBER	DESCRIPTION
1	73644440	MH-022	WELDMENT, 18" HOOK SHEAVE, 7" W X 16" H
2	73644540	MH-048	AXLE, HOOK SHEAVE, 6 WIDE
3	98335A084	MCMaster-CARR	HITCH PIN CLIP, 5/8 - 3/4, 9/64 WIRE, ZINC PLATED
4	73644640	SH-1860	SHEAVE, WITH BEARINGS, 18 DIA, 6 WIDE



1-855-798-6657 | SOUTHWIRE.COM

©2026 Southwire Company, LLC. All rights reserved.
*Registered Trademark & ™Trademark of Southwire Company, LLC.