



# Southwire™

## EMT RAIN TIGHT COUPLINGS

### COMPRESSION TYPE - STEEL

#### FEATURES

- Compression type couplings
- Concrete-tight and raintight
- Assembled with a steel locknut & gasket
- For size 2-1/2" to 4", also suitable for Rigid /IMC conduit

#### APPLICATION

- Use to join two lengths of EMT

#### STANDARD MATERIAL

- Steel

#### STANDARD FINISH

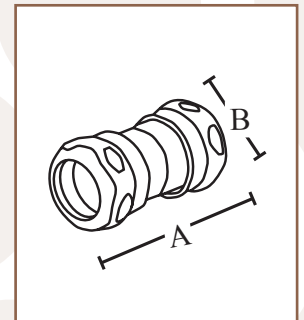
- Zinc plated



661SRT



PART #	SIZE	INNER QTY.	MASTER QTY.	WEIGHT/ CASE (LBS.)	A	B
661SRT	1/2"	25	250	35	1.625"	1.125"
662SRT	3/4"	25	250	25	1.75"	1.375"
663SRT	1"	10	100	28	1.875"	1.687"
664SRT	1-1/4"	---	25	15	2.25"	2.062"
665SRT	1-1/2"	---	20	15	2.25"	2.25"
666SRT	2"	---	15	18	2.375"	2.75"
667SRT	2-1/2"	---	12	14	3.875"	3.625"
668SRT	3"	---	6	19	4"	4.25"
669SRT	3-1/2"	---	5	21	4.687"	4.687"
670SRT	4"	---	6	15	4.937"	5.187"



Rev. 1, 02/26

**BUILT FOR DURABILITY.  
BUILT FOR RELIABILITY.  
BUILT FOR WORK.™**

1-855-798-6657 | SOUTHWIRE.COM

©2026 Southwire Company, LLC. All rights reserved.  
\*Registered Trademark & ™Trademark of Southwire Company, LLC.