



Southwire®

EMT CONNECTORS

COMPRESSION TYPE - STEEL

FEATURES

- Compression type connectors
- Concrete-tight
- Assembled with a steel locknut
- For size 2-1/2" to 4", also suitable for Rigid /IMC conduit

APPLICATION

- Use to join EMT to box or enclosure

STANDARD MATERIAL

- Steel

STANDARD FINISH

- Zinc plated

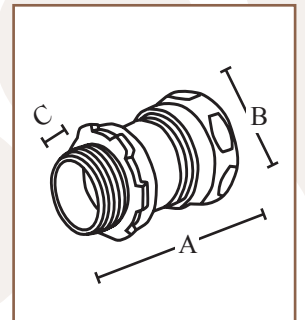
CERTIFICATIONS

- UL Standard: UL 514B
- Fed. Spec: W-F-406E, W-F-406D
- NEMA: FB1-2014



652S

PART #	SIZE	INNER QTY.	MASTER QTY.	WEIGHT/ CASE (LBS.)	A	B	C
651S	1/2"	25	250	30	1.75"	1.25"	.406"
652S	3/4"	25	250	43	1.813"	1.563"	.406"
653S	1"	10	100	25	2"	1.813"	.406"
654S	1-1/4"	---	25	12	2.75"	2.188"	.50"
655S	1-1/2"	---	20	12	3"	2.438"	.50"
656S	2"	---	15	15	3.188"	2.938"	.688"
657S	2-1/2"	---	12	19	3.875"	3.688"	.75"
658S	3"	---	6	15	4.375"	4.313"	.938"
659S	3-1/2"	---	6	16	4.50"	4.875"	.938"
660S	4"	---	6	21	4.75"	5.375"	.938"



Rev. 1, 02/26

**BUILT FOR DURABILITY.
BUILT FOR RELIABILITY.
BUILT FOR WORK.™**

1-855-798-6657 | SOUTHWIRE.COM

©2026 Southwire Company, LLC. All rights reserved.
*Registered Trademark & ™Trademark of Southwire Company, LLC.