

Item:

LSA4-50PCS-W
LSA4-50PCS-B
LSA4P-50PCS-W
LSA4P-50PCS-B
LSA4P-50PCS-EM-W
LSA4P-50PCS-EM-B
LSA-DC-CNPY-W
LSA-OS-PIR-BT-BL

LSA-LCONN-W
LSA-TCONN-W
LSA-XCONN-W
LSA-CORD5-W
LSA-E2ECONN-W
LSA-DWC-CNPY-W
LSA-DC-CNPY-B
LSA-SMKIT

LSA-LCONN-B
LSA-TCONN-B
LSA-XCONN-B
LSA-CORD5-B
LSA-E2ECONN-B
LSA-DWC-CNPY-B
LSA-OS-PIT-BT-WH
LSA-RMKIT



ARCHITECTURAL STRIP LIGHT INSTALLATION INSTRUCTIONS

READ AND FOLLOW ALL SAFETY INSTRUCTIONS!



WARNING

- Make all electrical and ground connections in accordance with local codes or the National Electrical Code. If you are not familiar with these codes and requirements, consult a qualified electrician. This Professional should be familiar with the construction and operation of this product and hazards involved. Failure to do so may result in serious personal injury.
- To reduce the risk of fire, electric shock, personal injury, or property damage, please read and follow all safety instructions. If you do not understand these instructions or if any additional information is required, contact your local Topaz representative. Retain these instructions for maintenance reference.
- Do not exceed the allowed supply voltage marked on the luminaire label information.
- Disconnect power at the circuit breaker panel before any installation.



CAUTION

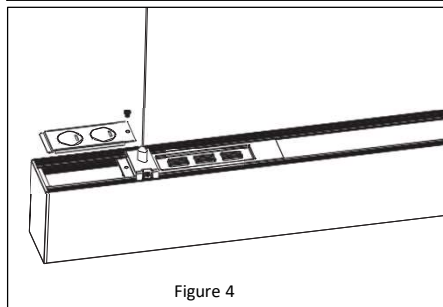
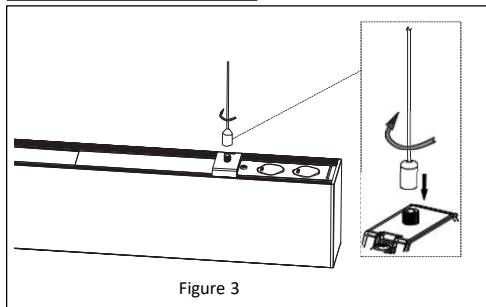
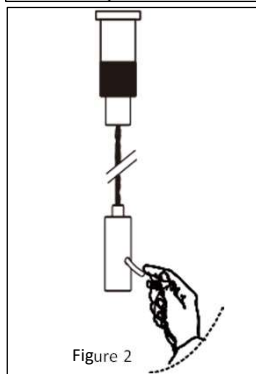
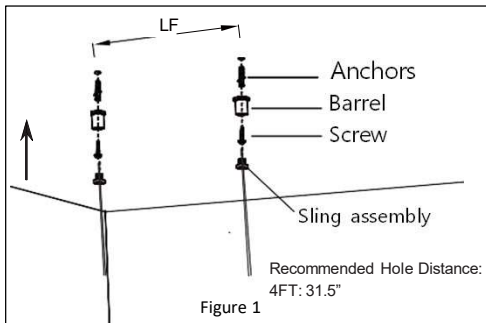
- Do not expose wire to any sharp objects such as sheet metal to prevent wiring damage or abrasion.
- While the light is on, please avoid direct eye exposure.
- Combustible material should be kept away from fixture/LENS.
- Do not make or alter any open holes in any enclosure or any electrical component during installation.
- Do not use when the enclosure is damaged or broken in any way.
- Do not alter, relocate or remove wiring, lamp holder power supply or any other electrical component.

- Item:
- | | | |
|------------------|----------------|------------------|
| LSA4-50PCS-W | LSA-LCONN-W | LSA-LCONN-B |
| LSA4-50PCS-B | LSA-TCONN-W | LSA-TCONN-B |
| LSA4P-50PCS-W | LSA-XCONN-W | LSA-XCONN-B |
| LSA4P-50PCS-B | LSA-CORD5-W | LSA-CORD5-B |
| LSA4P-50PCS-EM-W | LSA-E2ECONN-W | LSA-E2ECONN-B |
| LSA4P-50PCS-EM-B | LSA-DWC-CNPY-W | LSA-DWC-CNPY-B |
| LSA-DC-CNPY-W | LSA-DC-CNPY-B | LSA-OS-PIT-BT-WH |
| LSA-OS-PIR-BT-BL | LSA-SMKIT | LSA-RMKIT |



ARCHITECTURAL STRIP LIGHT INSTALLATION INSTRUCTIONS

Mounting Instructions: Suspension Mounting:



1. Make sure electrical power has been turned off at the circuit breaker before beginning any electrical work.
2. Locate the suspension mounting kit. Unscrew the Gripper from the Barrel. **See Figure 1.**
3. Install the supplied Anchors to the ceiling by drilling a pilot hole for each Anchor using a 5/32" drill bit (Not Included).
WARNING: Ensure that anchors are acceptable for the mounting surface and can support fixture weight. Other wall anchors (not provided) may be required.
4. Insert the Screw into the Barrel and tighten the Screw into the Anchor until snug.
5. Install the Gripper into the Barrel.
6. Adjust the length of each cable. **See Figure 2.**
7. Connect the opposite end of the sling to the threaded mount on the fixture. **See Figure 3.**
8. Open the end of the fixture for wiring. **See Figure 4.**

Item:
 LSA4-50PCS-W
 LSA4-50PCS-B
 LSA4P-50PCS-W
 LSA4P-50PCS-B
 LSA4P-50PCS-EM-W
 LSA4P-50PCS-EM-B
 LSA-DC-CNPY-W
 LSA-DC-CNPY-B
 LSA-OS-PIR-BT-BL

LSA-LCONN-W
 LSA-TCONN-W
 LSA-XCONN-W
 LSA-CORD5-W
 LSA-E2ECONN-W
 LSA-DWC-CNPY-W
 LSA-DC-CNPY-B
 LSA-SMKIT

LSA-LCONN-B
 LSA-TCONN-B
 LSA-XCONN-B
 LSA-CORD5-B
 LSA-E2ECONN-B
 LSA-DWC-CNPY-B
 LSA-OS-PIT-BT-WH
 LSA-RMKIT



ARCHITECTURAL STRIP LIGHT INSTALLATION INSTRUCTIONS

Suspension Mounting on T-Grid Ceiling:

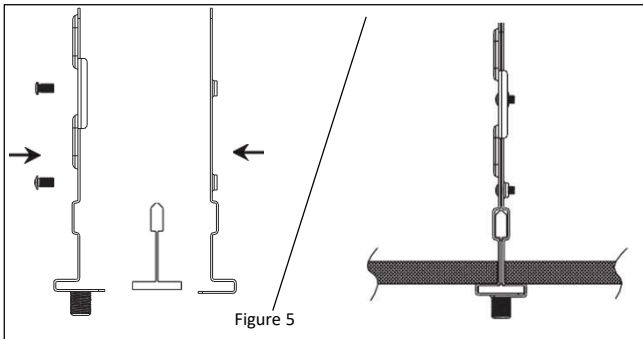


Figure 5

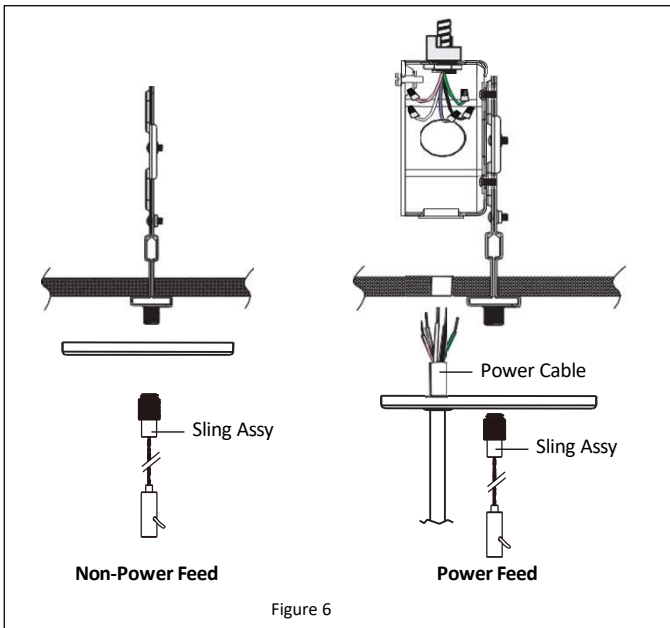


Figure 6

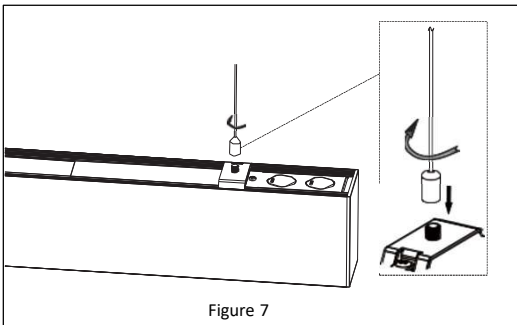


Figure 7

1. Attach T-grid clips onto the T-grid using the supplied screws. 2 sets of T-grid clips are required for a 4' fixture. **See Figure 5.**

2. Drill a small hole next to the t-grid clip closest to the power source to pass the power cable through.

Note: A junction box can be attached to the T-grid clips for convenience.

3. Secure the canopy cap with the sling assembly. **See Figure 6.**

4. Make sure AC power is off, then connect the power cable to the supply line inside the junction box.

5. Secure the fixture to the Sling Assy. **See Figure 7.**

6. Pass the power cable through the canopy cap, then through the hole drilled in the previous step.

7. Make wiring connections at the fixture according to the **Wiring Diagram.**

8. Installation complete.

Item:
 LSA4-50PCS-W
 LSA4-50PCS-B
 LSA4P-50PCS-W
 LSA4P-50PCS-B
 LSA4P-50PCS-EM-W
 LSA4P-50PCS-EM-B
 LSA-DC-CNPY-W
 LSA-DC-CNPY-B
 LSA-OS-PIR-BT-BL

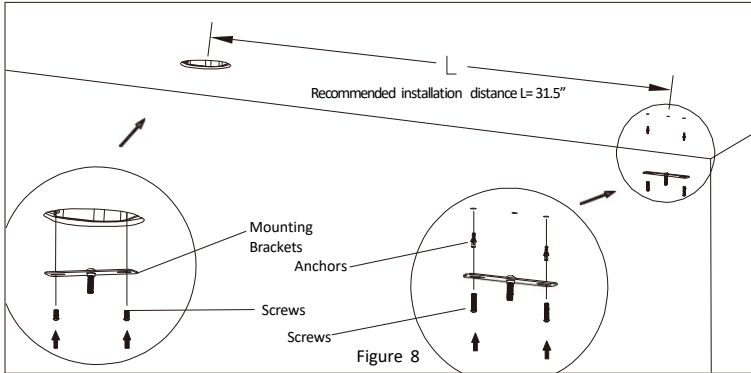
LSA-LCONN-W
 LSA-TCONN-W
 LSA-XCONN-W
 LSA-CORD5-W
 LSA-E2ECONN-W
 LSA-DWC-CNPY-W
 LSA-DC-CNPY-B
 LSA-SMKIT

LSA-LCONN-B
 LSA-TCONN-B
 LSA-XCONN-B
 LSA-CORD5-B
 LSA-E2ECONN-B
 LSA-DWC-CNPY-B
 LSA-OS-PIT-BT-WH
 LSA-RMKIT

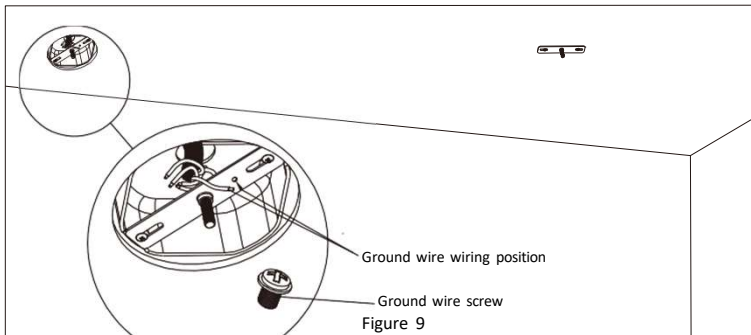


ARCHITECTURAL STRIP LIGHT INSTALLATION INSTRUCTIONS

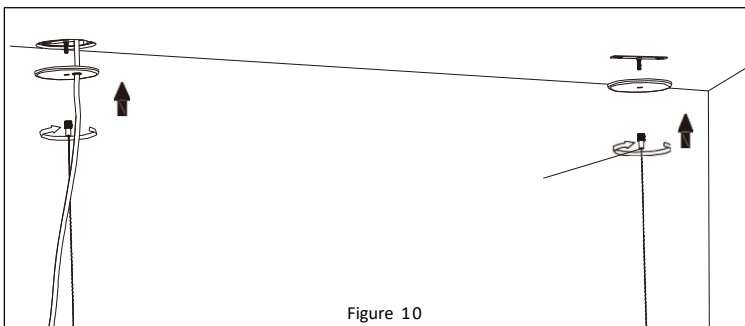
Drywall Canopy Kit:



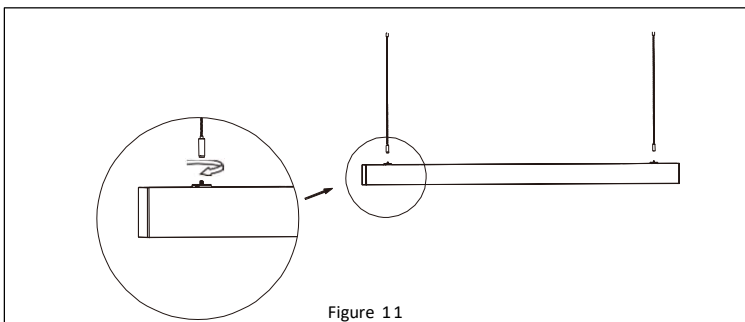
1. Secure the mounting brackets. 1 bracket will mount to the junction box and the other to the ceiling using anchors. **See Figure 8.**



2. Attach the ground wire to the mounting bracket on the junction box using the ground wire screw. **See Figure 9.**



3. Pass the power cord through canopy cap B. Make sure power is turned off and connect the power cord to AC supply, then secure the canopy to mounting bracket with the sling assembly.
4. Secure canopy cap A to the mounting bracket using the sling assembly. **See Figure 10.**



5. Attach the free end of the sling assembly to the built-in threaded standoffs. Adjust the suspending length of aircraft cable to be suitable for the installed environment. **See Figure 11.**

Item:
 LSA4-50PCS-W
 LSA4-50PCS-B
 LSA4P-50PCS-W
 LSA4P-50PCS-B
 LSA4P-50PCS-EM-W
 LSA4P-50PCS-EM-B
 LSA-DC-CNPY-W
 LSA-DC-CNPY-B
 LSA-OS-PIR-BT-BL

LSA-LCONN-W
 LSA-TCONN-W
 LSA-XCONN-W
 LSA-CORD5-W
 LSA-E2ECONN-W
 LSA-DWC-CNPY-W
 LSA-DC-CNPY-B
 LSA-SMKIT

LSA-LCONN-B
 LSA-TCONN-B
 LSA-XCONN-B
 LSA-CORD5-B
 LSA-E2ECONN-B
 LSA-DWC-CNPY-B
 LSA-OS-PIT-BT-WH
 LSA-RMKIT



ARCHITECTURAL STRIP LIGHT INSTALLATION INSTRUCTIONS

Surface Mount Kit:

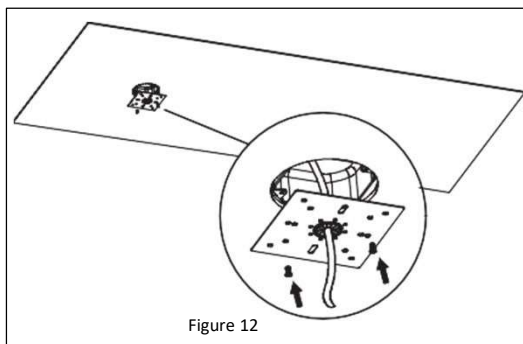


Figure 12

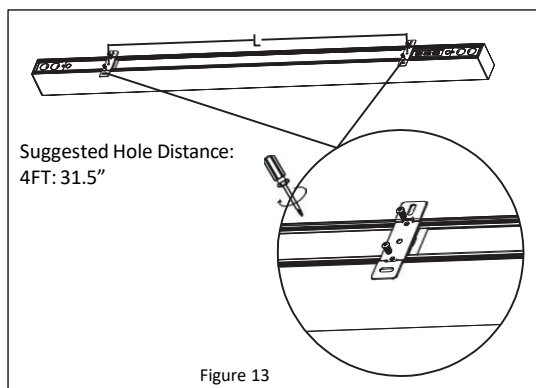


Figure 13

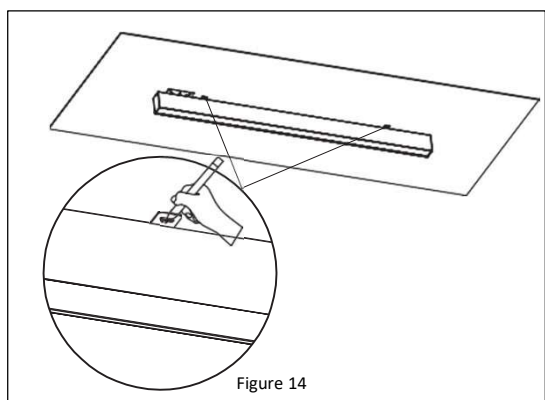


Figure 14

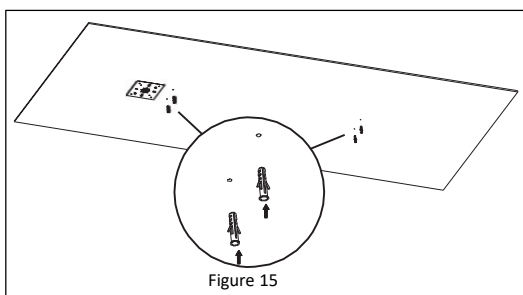


Figure 15

1. Attach the square plate to the junction-box with the supplied screws. **See Figure 12.**
2. Attach the 2 surface-mount brackets to fixture back with provided short screws. **See Figure 13.**
3. Hold the fixture on mounting surface, then mark the mounting positions of the brackets installed in the previous step. **See Figure 14.**
4. Drill the holes according to the marks and insert the supplied anchors. **See Figure 15.**

WARNING: Ensure that anchors are acceptable for the mounting surface and can support fixture weight. Other wall anchors (not provided) may be required

Item:

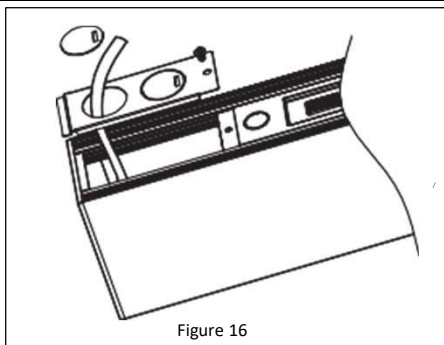
LSA4-50PCS-W
LSA4-50PCS-B
LSA4P-50PCS-W
LSA4P-50PCS-B
LSA4P-50PCS-EM-W
LSA4P-50PCS-EM-B
LSA-DC-CNPY-W
LSA-DC-CNPY-B
LSA-OS-PIR-BT-BL

LSA-LCONN-W
LSA-TCONN-W
LSA-XCONN-W
LSA-CORD5-W
LSA-E2ECONN-W
LSA-DWC-CNPY-W
LSA-DC-CNPY-B
LSA-SMKIT

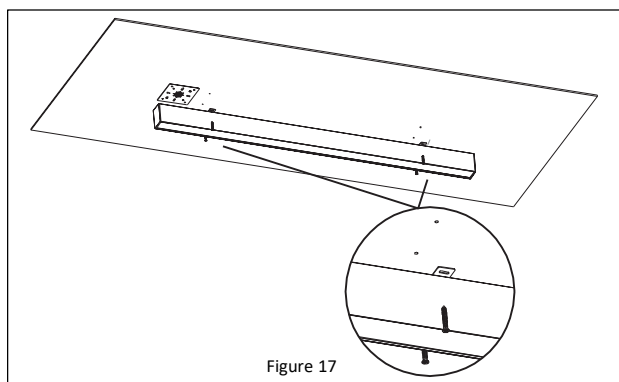
LSA-LCONN-B
LSA-TCONN-B
LSA-XCONN-B
LSA-CORD5-B
LSA-E2ECONN-B
LSA-DWC-CNPY-B
LSA-OS-PIT-BT-WH
LSA-RMKIT



ARCHITECTURAL STRIP LIGHT INSTALLATION INSTRUCTIONS

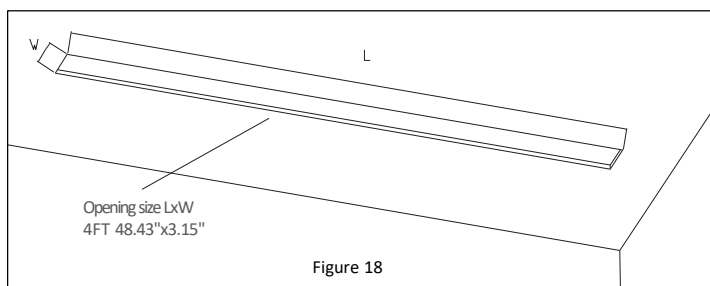


5. Pry the knock-out in the cover, then unscrew the cover, lead out the wires for connecting. Make wiring connections according to the **Wiring Diagram**, then reinstall the cover. *See Figure 16.*

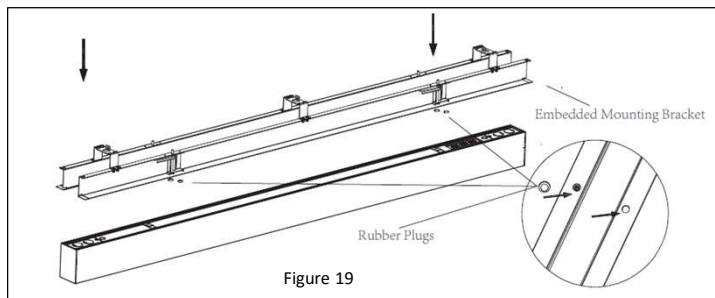


6. Secure the fixture to the mounting surface with long screws. *See Figure 17.*
7. Installation completed.

Recessed Mount Kit:



1. Cut an opening in the area the fixture will be installed. *See Figure 18.*



2. Remove the 4 rubber plugs from the mounting bracket, then fit the mounting bracket onto the fixture. *See Figure 19.*

Item:
 LSA4-50PCS-W
 LSA4-50PCS-B
 LSA4P-50PCS-W
 LSA4P-50PCS-B
 LSA4P-50PCS-EM-W
 LSA4P-50PCS-EM-B
 LSA-DC-CNPY-W
 LSA-OS-PIR-BT-BL

LSA-LCONN-W
 LSA-TCONN-W
 LSA-XCONN-W
 LSA-CORD5-W
 LSA-E2ECONN-W
 LSA-DWC-CNPY-W
 LSA-DC-CNPY-B
 LSA-SMKIT

LSA-LCONN-B
 LSA-TCONN-B
 LSA-XCONN-B
 LSA-CORD5-B
 LSA-E2ECONN-B
 LSA-DWC-CNPY-B
 LSA-OS-PIT-BT-WH
 LSA-RMKIT



ARCHITECTURAL STRIP LIGHT INSTALLATION INSTRUCTIONS

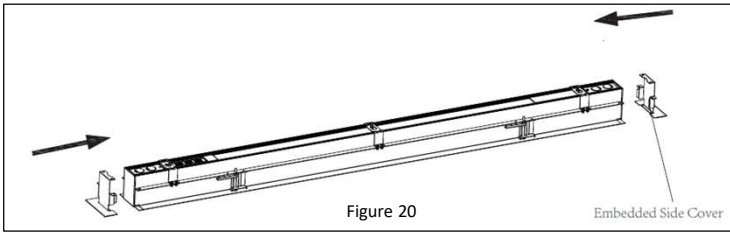


Figure 20

3. Install the side covers. *See Figure 20.*

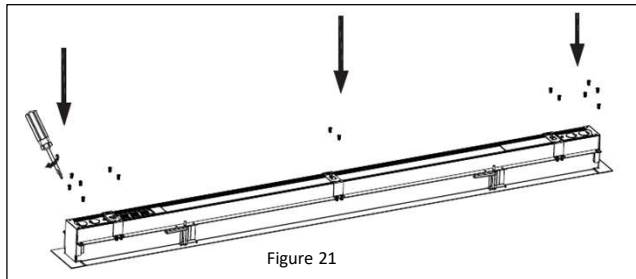


Figure 21

4. Secure the mounting bracket to the fixture using the supplied screws. *See Figure 21.*

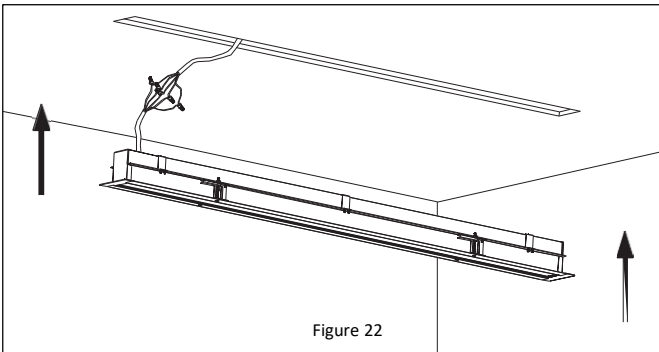


Figure 22

5. Make wiring connections according to the **Wiring Diagram**. *See Figure 22.*

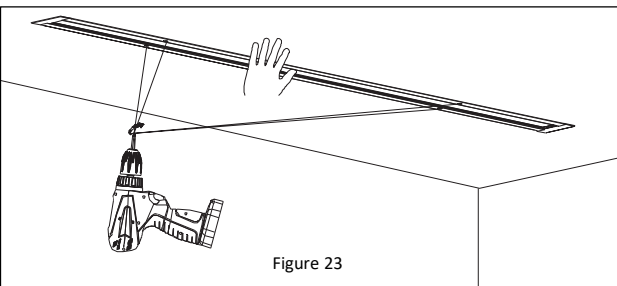


Figure 23

6. Slide the fixture into the slot on the ceiling and tighten the 4 screws until snug. *See Figure 23.*

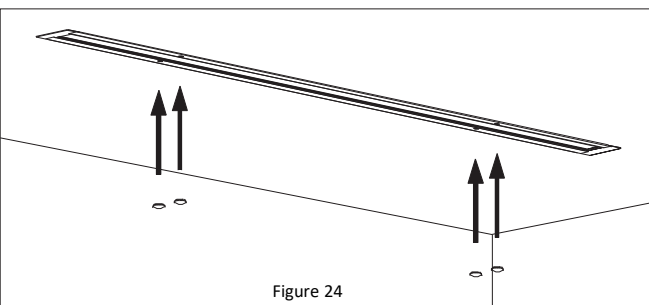


Figure 24

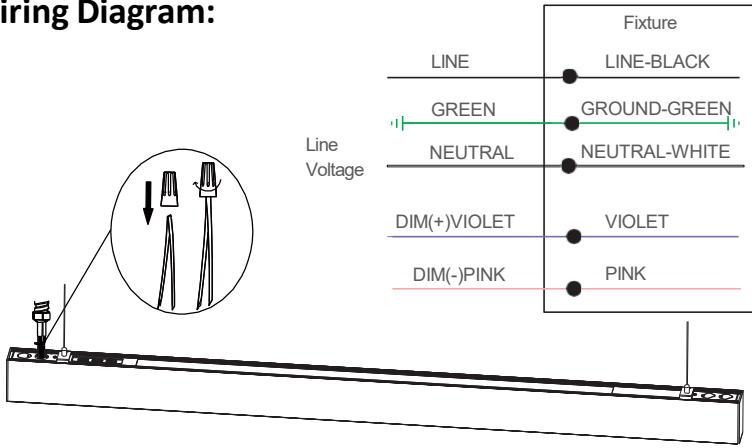
7. Install rubber plugs to hide the screw heads. *See Figure 24.*
 8. Installation complete.

- Item:
- LSA4-50PCS-W
 - LSA4-50PCS-B
 - LSA4P-50PCS-W
 - LSA4P-50PCS-B
 - LSA4P-50PCS-EM-W
 - LSA4P-50PCS-EM-B
 - LSA-DC-CNPY-W
 - LSA-DC-CNPY-B
 - LSA-OS-PIR-BT-BL
- LSA-LCONN-W
 - LSA-TCONN-W
 - LSA-XCONN-W
 - LSA-CORD5-W
 - LSA-E2ECONN-W
 - LSA-DWC-CNPY-W
 - LSA-DC-CNPY-B
 - LSA-SMKIT
- LSA-LCONN-B
 - LSA-TCONN-B
 - LSA-XCONN-B
 - LSA-CORD5-B
 - LSA-E2ECONN-B
 - LSA-DWC-CNPY-B
 - LSA-OS-PIT-BT-WH
 - LSA-RMKIT



ARCHITECTURAL STRIP LIGHT INSTALLATION INSTRUCTIONS

Wiring Diagram:



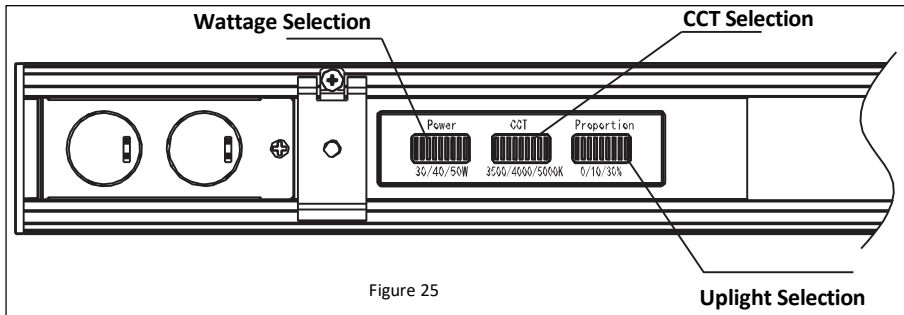
Note: If installing an Emergency fixture, an unswitched line direct from the breaker needs to connect to the fixture red wire. This will charge the battery back-up.

- Turn off AC power before beginning any electrical work. Make the wire connections Black to Line, White to Neutral and Green to Ground. Use the supplied wire nuts to secure the connections.

Note: If dimming is desired, pull the Purple and Pink wires through the hole along with the Black, White and Green wires. Connect the Purple and Pink to a compatible 0-10V dimmer.

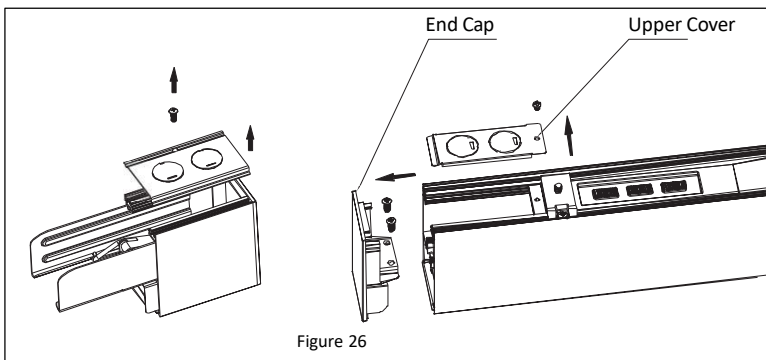
Approved Dimmers	
Make	Model
Leviton	DD710
	DS710
	IP710
Lutron	DVSTV
	MS-Z101
	DVTV

Wattage and CCT and Uplight Selection:



- Set the wattage, CCT and uplight by adjusting the switches on the top of the fixture to best suit the installation environment. *See Figure 25.*

Motion Sensor Installation:



- Remove the upper cover from both the sensor module and the fixture. Then remove the end cap from the fixture. *See Figure 26.*

Item:

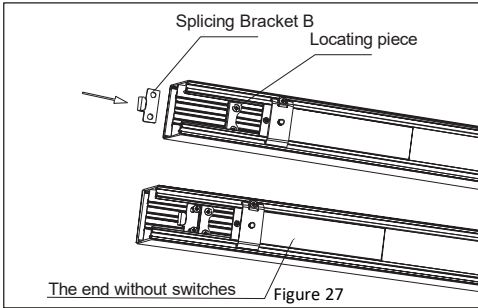
LSA4-50PCS-W
LSA4-50PCS-B
LSA4P-50PCS-W
LSA4P-50PCS-B
LSA4P-50PCS-EM-W
LSA4P-50PCS-EM-B
LSA-DC-CNPY-W
LSA-DC-CNPY-B
LSA-OS-PIR-BT-BL

LSA-LCONN-W
LSA-TCONN-W
LSA-XCONN-W
LSA-CORD5-W
LSA-E2ECONN-W
LSA-DWC-CNPY-W
LSA-DC-CNPY-B
LSA-SMKIT

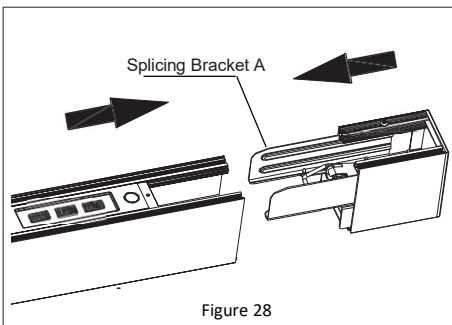
LSA-LCONN-B
LSA-TCONN-B
LSA-XCONN-B
LSA-CORD5-B
LSA-E2ECONN-B
LSA-DWC-CNPY-B
LSA-OS-PIT-BT-WH
LSA-RMKIT



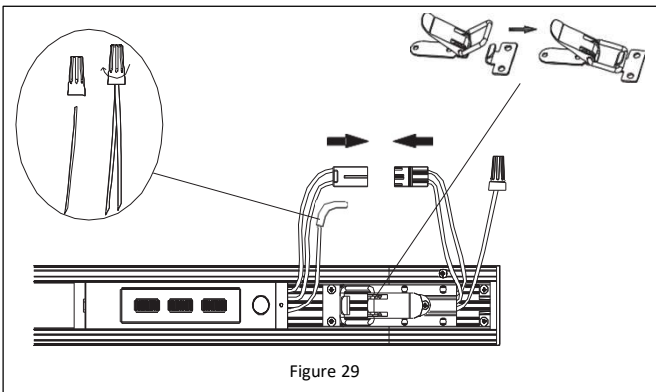
ARCHITECTURAL STRIP LIGHT INSTALLATION INSTRUCTIONS



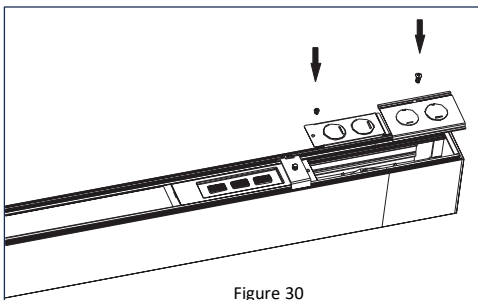
- Slide the splicing bracket B into locating piece and secure it with the supplied screws. **See Figure 27.**



- Slide the splicing bracket A into locating piece of the fixture and secure it with the supplied screws. **See Figure 28.**



- Connect the fixture and sensor module by inserting the splicing bracket A to the splicing bracket B, then pull the lock buckle to secure the fixtures together.
- Connect the 2 pin connectors from the fixture and sensor module, then connect the auxiliary power wire using the supplied wire nut. **See Figure 29.**



- Reinstall the upper cover to both the fixture and the sensor module. **See Figure 30.**

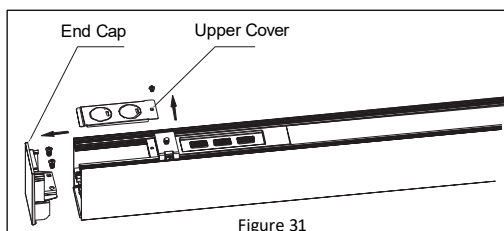
Item:	LSA-LCONN-W	LSA-LCONN-B
LSA4-50PCS-W	LSA-TCONN-W	LSA-TCONN-B
LSA4-50PCS-B	LSA-XCONN-W	LSA-XCONN-B
LSA4P-50PCS-W	LSA-CORD5-W	LSA-CORD5-B
LSA4P-50PCS-B	LSA-E2ECONN-W	LSA-E2ECONN-B
LSA4P-50PCS-EM-W	LSA-DWC-CNPY-W	LSA-DWC-CNPY-B
LSA4P-50PCS-EM-B	LSA-DC-CNPY-B	LSA-OS-PIT-BT-WH
LSA-DC-CNPY-W	LSA-SMKIT	LSA-RMKIT
LSA-OS-PIR-BT-BL		



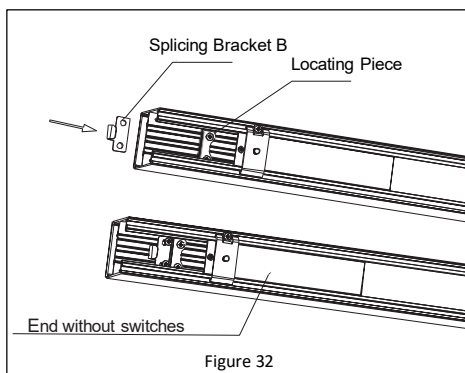
ARCHITECTURAL STRIP LIGHT INSTALLATION INSTRUCTIONS

Connecting Accessories:

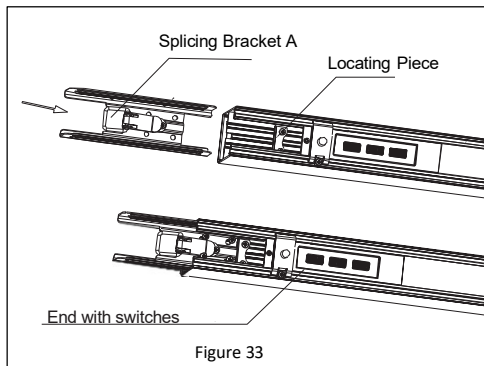
Splicing Bracket:



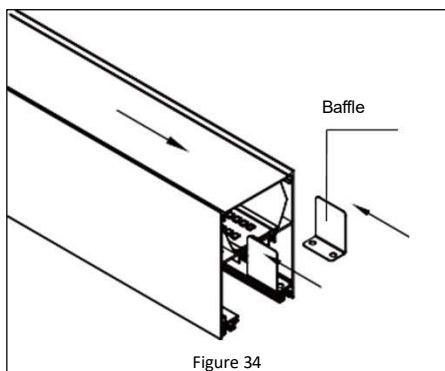
1. Remove the end cap and upper cover from fixture. *See Figure 31.*



2. Slide the splicing bracket B into locating piece and secure it with the supplied screws. *See Figure 32.*



3. Slide the splicing bracket A into locating piece of the other fixture and secure it with the supplied screws. *See Figure 33.*



4. Fit the baffle to the profile and remove diffuser plate. Only install half of each baffle. *See Figure 34.*

Item:

LSA4-50PCS-W
LSA4-50PCS-B
LSA4P-50PCS-W
LSA4P-50PCS-B
LSA4P-50PCS-EM-W
LSA4P-50PCS-EM-B
LSA-DC-CNPY-W
LSA-DC-CNPY-B
LSA-OS-PIR-BT-BL

LSA-LCONN-W
LSA-TCONN-W
LSA-XCONN-W
LSA-CORD5-W
LSA-E2ECONN-W
LSA-DWC-CNPY-W
LSA-DC-CNPY-B
LSA-SMKIT

LSA-LCONN-B
LSA-TCONN-B
LSA-XCONN-B
LSA-CORD5-B
LSA-E2ECONN-B
LSA-DWC-CNPY-B
LSA-OS-PIT-BT-WH
LSA-RMKIT



ARCHITECTURAL STRIP LIGHT INSTALLATION INSTRUCTIONS

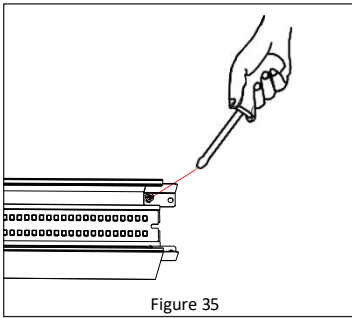


Figure 35

5. Tighten the screw on each baffle. **See Figure 35.**

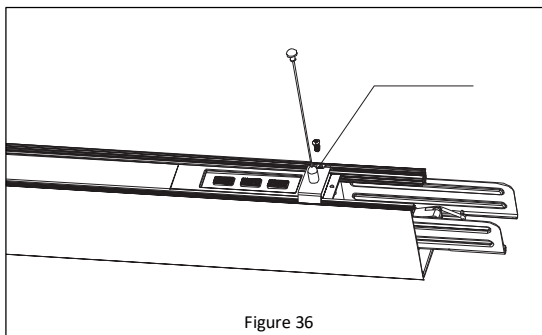


Figure 36

6. Install the lifting bracket in the fixture to a suitable position for suspending and linking. **See Figure 36.**
7. Suspend the fixture from the ceiling, refer to the **Mounting Instructions** for this part.

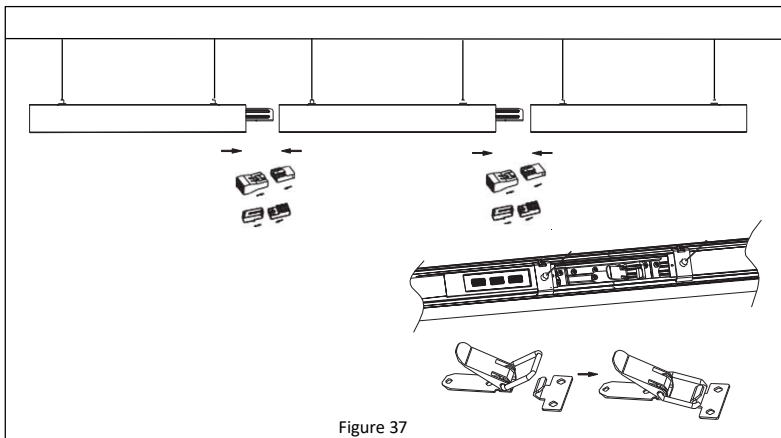


Figure 37

8. Connect two fixtures by inserting the splicing bracket A to the splicing bracket B, then pull the lock buckle to secure the fixtures together.
9. Make electrical connection between fixtures with male-female connectors. **See Figure 37.**

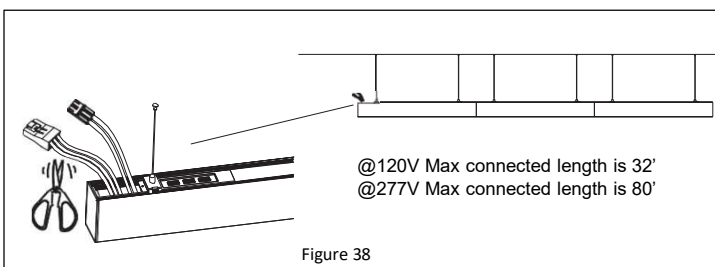


Figure 38

10. Cut off the connectors in one end for wiring to line voltage. **See Figure 38.**
11. Connect the wires according to the **Wiring Diagram.**

Item:
 LSA4-50PCS-W
 LSA4-50PCS-B
 LSA4P-50PCS-W
 LSA4P-50PCS-B
 LSA4P-50PCS-EM-W
 LSA4P-50PCS-EM-B
 LSA-DC-CNPY-W
 LSA-DC-CNPY-B
 LSA-OS-PIR-BT-BL

LSA-LCONN-W
 LSA-TCONN-W
 LSA-XCONN-W
 LSA-CORD5-W
 LSA-E2ECONN-W
 LSA-DWC-CNPY-W
 LSA-DC-CNPY-B
 LSA-SMKIT

LSA-LCONN-B
 LSA-TCONN-B
 LSA-XCONN-B
 LSA-CORD5-B
 LSA-E2ECONN-B
 LSA-DWC-CNPY-B
 LSA-OS-PIT-BT-WH
 LSA-RMKIT



ARCHITECTURAL STRIP LIGHT INSTALLATION INSTRUCTIONS

“L” Connector:

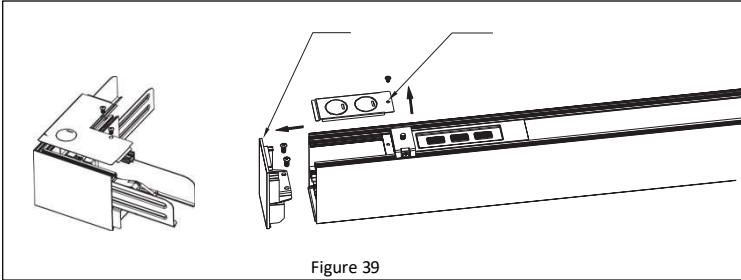


Figure 39

1. Remove the upper cover from both the “L” connector and the fixture. Then remove the end cap from the fixture. **See Figure 39.**

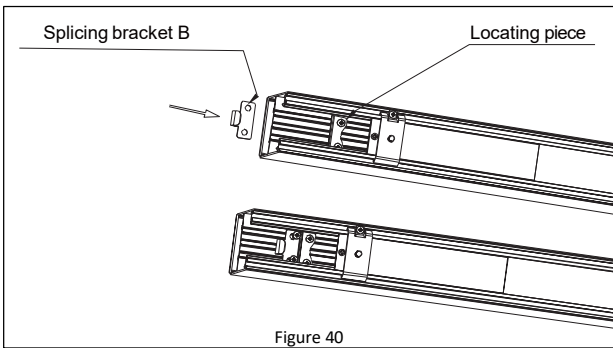


Figure 40

2. Slide the splicing bracket B into locating piece, then secure it with screws. **See Figure 40.**

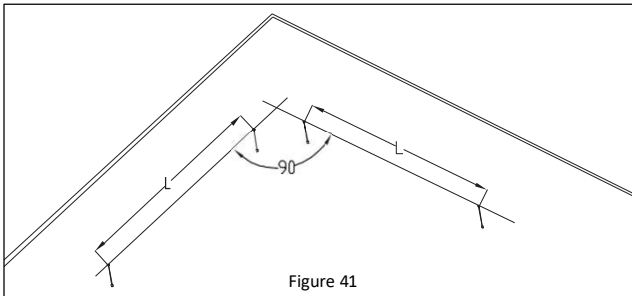


Figure 41

3. Make the mounting marks on the ceiling for fixtures, please refer to **Mounting Instructions** for mounting the fixture. **See Figure 41.**

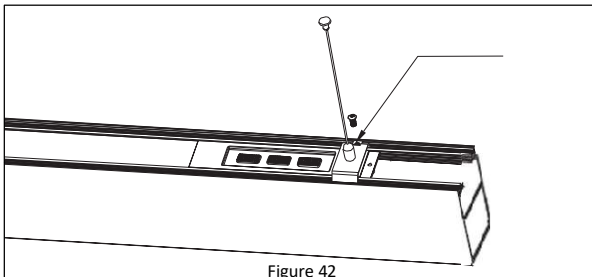


Figure 42

4. Adjust the lifting bracket on the fixture to a suitable position for suspending and linking. **See Figure 42.**

Item:

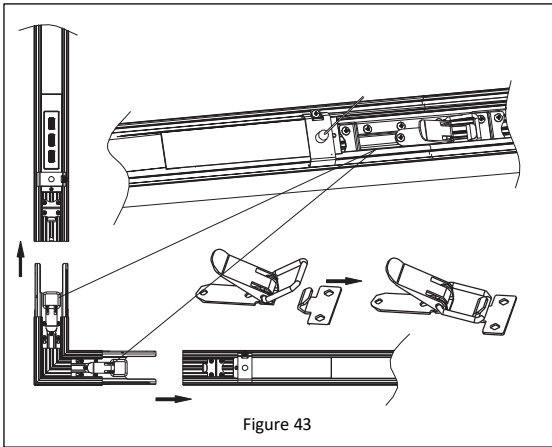
LSA4-50PCS-W
LSA4-50PCS-B
LSA4P-50PCS-W
LSA4P-50PCS-B
LSA4P-50PCS-EM-W
LSA4P-50PCS-EM-B
LSA-DC-CNPY-W
LSA-DC-CNPY-B
LSA-OS-PIR-BT-BL

LSA-LCONN-W
LSA-TCONN-W
LSA-XCONN-W
LSA-CORD5-W
LSA-E2ECONN-W
LSA-DWC-CNPY-W
LSA-DC-CNPY-B
LSA-SMKIT

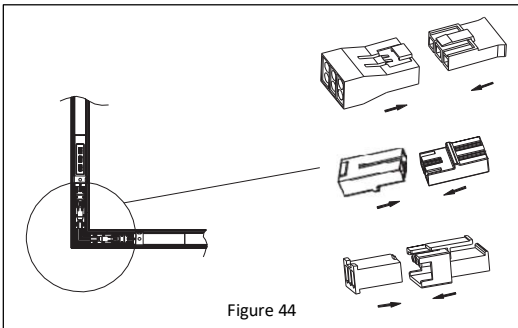
LSA-LCONN-B
LSA-TCONN-B
LSA-XCONN-B
LSA-CORD5-B
LSA-E2ECONN-B
LSA-DWC-CNPY-B
LSA-OS-PIT-BT-WH
LSA-RMKIT



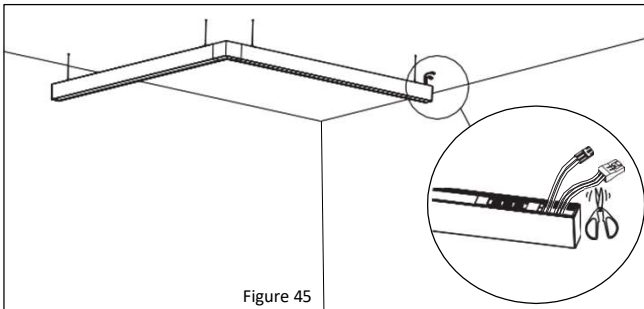
ARCHITECTURAL STRIP LIGHT INSTALLATION INSTRUCTIONS



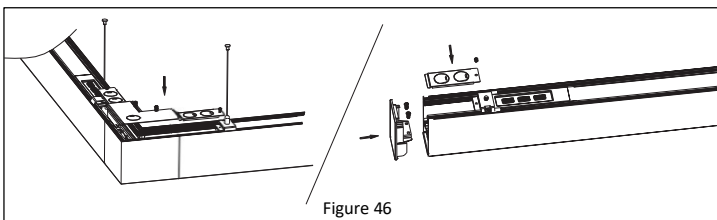
5. Insert the "L" connector into the fixture and hook the latch to splicing bracket B, then pull the lock buckle to secure the fixtures together. **See Figure 43.**



6. Make electrical connection with male-female connectors. **See Figure 44.**



7. Cut off the connectors in one end for wiring to line voltage. **See Figure 45.**



8. Reinstall the cover of "L" connector and the fixture. **See Figure 46.**

Item:	LSA-LCONN-W	LSA-LCONN-B
LSA4-50PCS-W	LSA-TCONN-W	LSA-TCONN-B
LSA4-50PCS-B	LSA-XCONN-W	LSA-XCONN-B
LSA4P-50PCS-W	LSA-CORD5-W	LSA-CORD5-B
LSA4P-50PCS-B	LSA-E2ECONN-W	LSA-E2ECONN-B
LSA4P-50PCS-EM-W	LSA-DWC-CNPY-W	LSA-DWC-CNPY-B
LSA4P-50PCS-EM-B	LSA-DC-CNPY-B	LSA-OS-PIT-BT-WH
LSA-DC-CNPY-W	LSA-SMKIT	LSA-RMKIT
LSA-OS-PIR-BT-BL		



ARCHITECTURAL STRIP LIGHT INSTALLATION INSTRUCTIONS

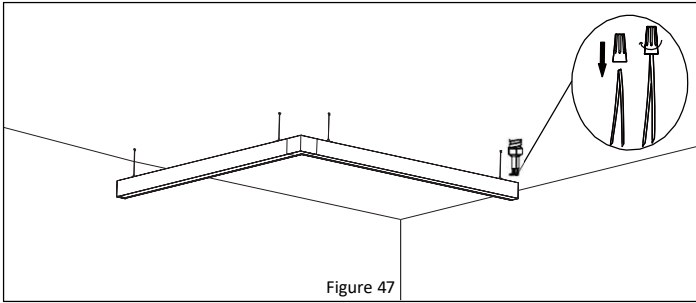


Figure 47

9. Open the cover from 1 end. Make wiring connections according to the **Wiring Diagram**. See **Figure 47**.

“T” Connector:

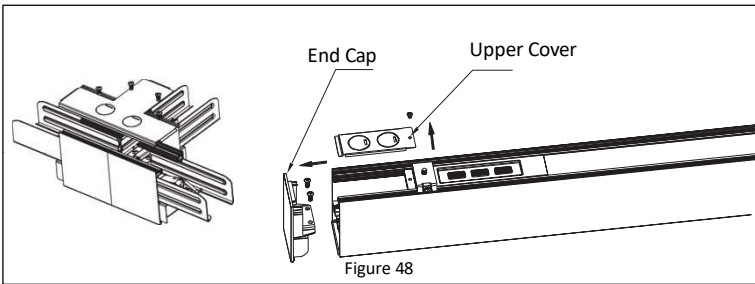


Figure 48

1. Remove the upper cover from both the “T” connector and the fixtures. Then remove the end cap from each fixture. See **Figure 48**.

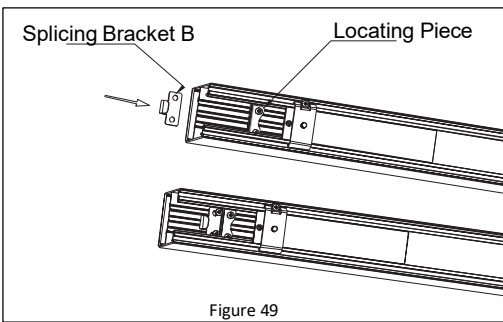


Figure 49

2. Slide the splicing bracket B into locating piece on the fixtures, then secure it with the supplied screws. See **Figure 49**.

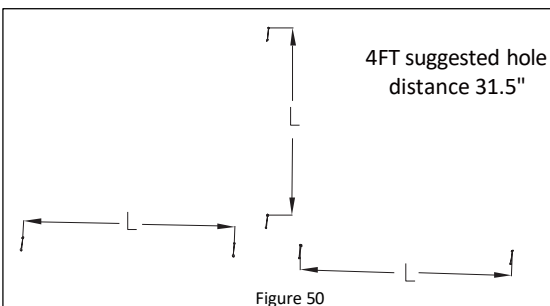


Figure 50

3. Make the mounting marks on the ceiling for fixtures, please refer to **Mounting Instructions** for suspend the fixture. See **Figure 50**.

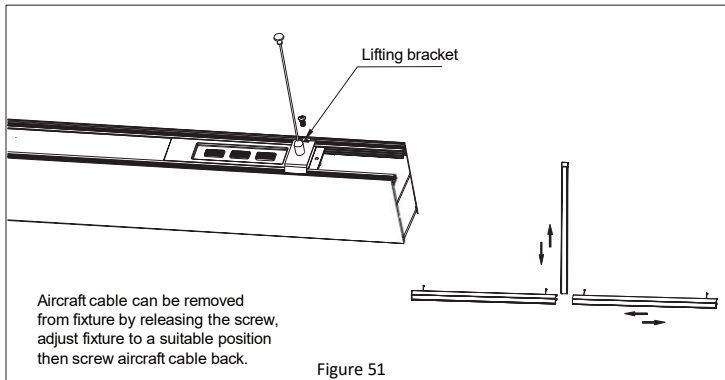
Item:
 LSA4-50PCS-W
 LSA4-50PCS-B
 LSA4P-50PCS-W
 LSA4P-50PCS-B
 LSA4P-50PCS-EM-W
 LSA4P-50PCS-EM-B
 LSA-DC-CNPY-W
 LSA-DC-CNPY-B
 LSA-OS-PIR-BT-BL

LSA-LCONN-W
 LSA-TCONN-W
 LSA-XCONN-W
 LSA-CORD5-W
 LSA-E2ECONN-W
 LSA-DWC-CNPY-W
 LSA-DC-CNPY-B
 LSA-SMKIT

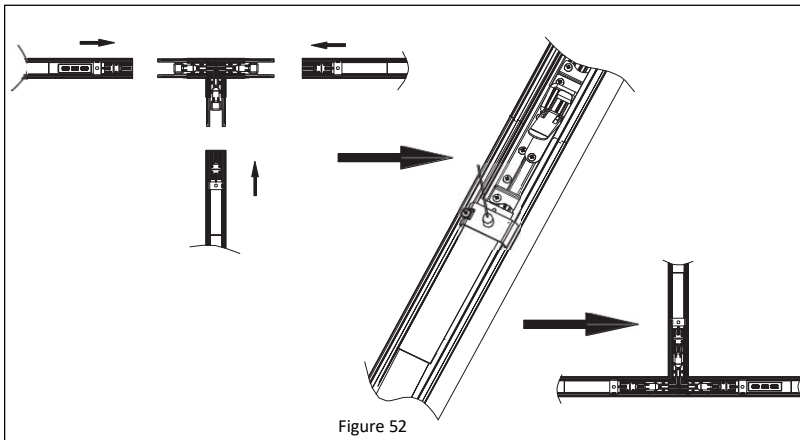
LSA-LCONN-B
 LSA-TCONN-B
 LSA-XCONN-B
 LSA-CORD5-B
 LSA-E2ECONN-B
 LSA-DWC-CNPY-B
 LSA-OS-PIT-BT-WH
 LSA-RMKIT



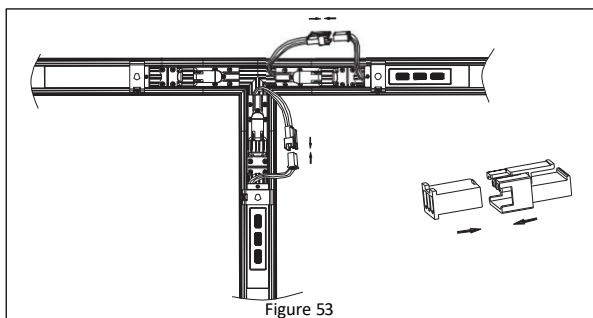
ARCHITECTURAL STRIP LIGHT INSTALLATION INSTRUCTIONS



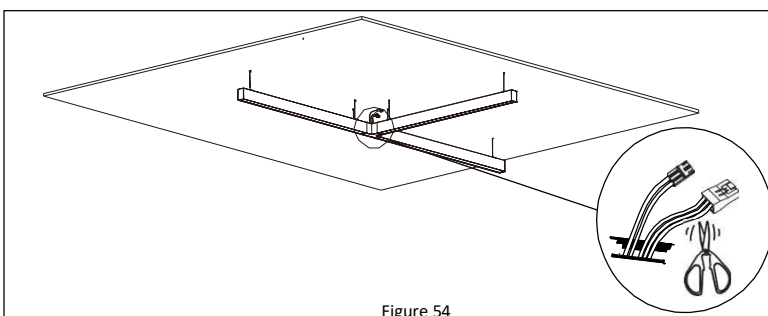
4. Adjust the lifting bracket on each fixture to a suitable position for suspending and linking. **See Figure 51.**



5. Insert the “T” connector into the fixtures and pull the lock buckle to connect fixtures. **See Figure 52.**



6. Make electrical connection between the fixtures and “T” connector using the male-female Connectors. **See Figure 53.**



7. Open a cover from 1 end and cut off the connectors in one of end for wiring to line voltage. Make wiring connections according to the **Wiring Diagram. See Figure 54.**

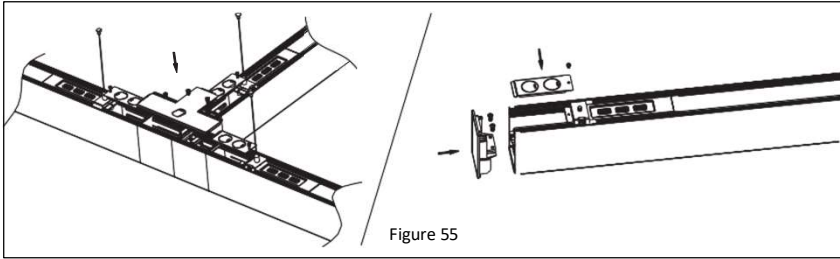
Item:
 LSA4-50PCS-W
 LSA4-50PCS-B
 LSA4P-50PCS-W
 LSA4P-50PCS-B
 LSA4P-50PCS-EM-W
 LSA4P-50PCS-EM-B
 LSA-DC-CNPY-W
 LSA-DC-CNPY-B
 LSA-OS-PIR-BT-BL

LSA-LCONN-W
 LSA-TCONN-W
 LSA-XCONN-W
 LSA-CORD5-W
 LSA-E2ECONN-W
 LSA-DWC-CNPY-W
 LSA-DC-CNPY-B
 LSA-SMKIT

LSA-LCONN-B
 LSA-TCONN-B
 LSA-XCONN-B
 LSA-CORD5-B
 LSA-E2ECONN-B
 LSA-DWC-CNPY-B
 LSA-OS-PIT-BT-WH
 LSA-RMKIT

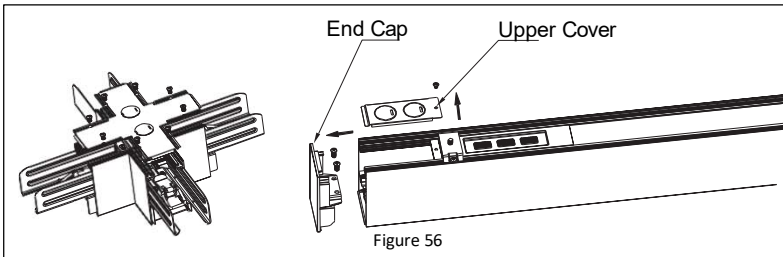


ARCHITECTURAL STRIP LIGHT INSTALLATION INSTRUCTIONS

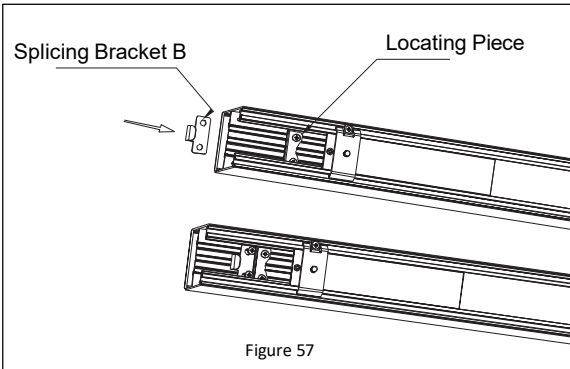


8. Reinstall the cover of “T” connector and the fixtures. **See Figure 55.**

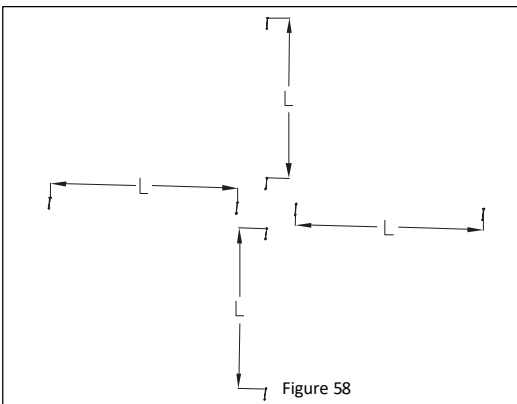
“X” Connector:



1. Remove the upper cover from both the “X” connector and the fixture. Then remove the end cap from the fixture. **See Figure 56.**



2. Slide the splicing bracket B into locating piece, then secure it in place with the supplied screws. **See Figure 57.**



3. Make the mounting marks on the ceiling for fixtures, please refer to **Mounting Instructions** for suspending the fixture. **See Figure 58.**

Item:

LSA4-50PCS-W	LSA-LCONN-W	LSA-LCONN-B
LSA4-50PCS-B	LSA-TCONN-W	LSA-TCONN-B
LSA4P-50PCS-W	LSA-XCONN-W	LSA-XCONN-B
LSA4P-50PCS-B	LSA-CORD5-W	LSA-CORD5-B
LSA4P-50PCS-EM-W	LSA-E2ECONN-W	LSA-E2ECONN-B
LSA4P-50PCS-EM-B	LSA-DWC-CNPY-W	LSA-DWC-CNPY-B
LSA-DC-CNPY-W	LSA-DC-CNPY-B	LSA-OS-PIT-BT-WH
LSA-OS-PIR-BT-BL	LSA-SMKIT	LSA-RMKIT



ARCHITECTURAL STRIP LIGHT INSTALLATION INSTRUCTIONS

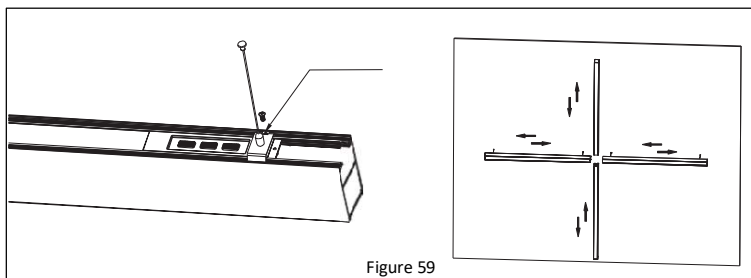


Figure 59

- Adjust the lifting bracket in the fixture to a suitable position for suspending and linking. **See Figure 59.**

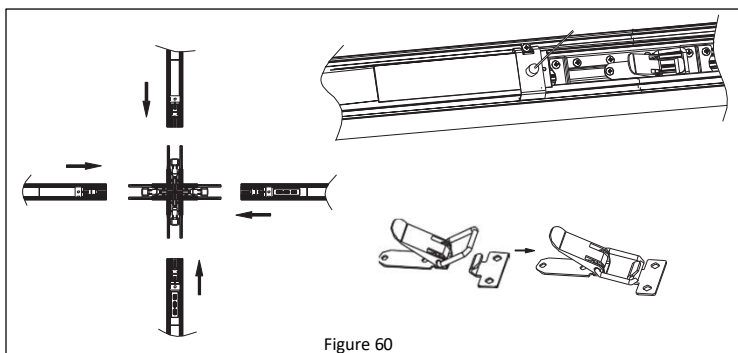


Figure 60

- Insert the "X" connector into the fixtures and pull the lock buckle to secure the fixtures. **See Figure 60.**

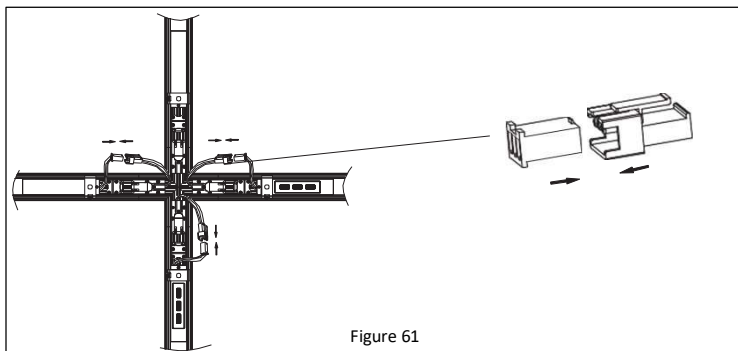


Figure 61

- Make electrical connection between fixtures and "X" connector using male-female connectors. **See Figure 61.**

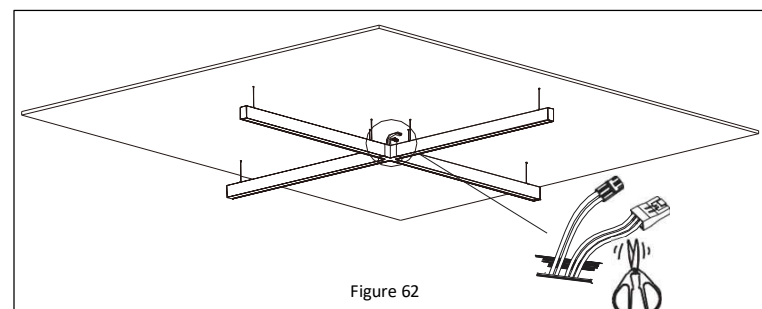


Figure 62

- Cut off the connectors in one of end for wiring to line voltage. Make wiring connections according to the **Wiring Diagram. See Figure 62.**

Item:

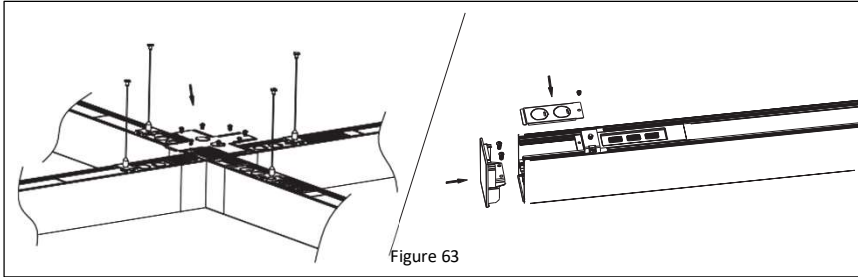
LSA4-50PCS-W
LSA4-50PCS-B
LSA4P-50PCS-W
LSA4P-50PCS-B
LSA4P-50PCS-EM-W
LSA4P-50PCS-EM-B
LSA-DC-CNPY-W
LSA-OS-PIR-BT-BL

LSA-LCONN-W
LSA-TCONN-W
LSA-XCONN-W
LSA-CORD5-W
LSA-E2ECONN-W
LSA-DWC-CNPY-W
LSA-DC-CNPY-B
LSA-SMKIT

LSA-LCONN-B
LSA-TCONN-B
LSA-XCONN-B
LSA-CORD5-B
LSA-E2ECONN-B
LSA-DWC-CNPY-B
LSA-OS-PIT-BT-WH
LSA-RMKIT



ARCHITECTURAL STRIP LIGHT INSTALLATION INSTRUCTIONS



8. Reinstall the cover of “X” connector and the fixture.
See Figure 63.
9. Installation complete.

****NOTE: THESE INSTRUCTIONS DO NOT ADDRESS ALL PERMUTATIONS THAT MAY EXIST IN INSTALLATION, MAINTENANCE, AND OPERATING ENVIRONMENT.**

****REMARQUE : CES INSTRUCTIONS NE TRAITENT PAS DE TOUTES LES PERMUTATIONS QUI PEUVENT EXISTER DANS L'INSTALLATION, LA MAINTENANCE ET L'ENVIRONNEMENT D'EXPLOITATION.**

****NOTA: ESTAS INSTRUCCIONES NO ABORDAN TODAS LAS PERMUTACIONES QUE PUEDEN EXISTIR EN EL ENTORNO DE INSTALACIÓN, MANTENIMIENTO Y OPERACIÓN.**

800-666-2852 | [SOUTHWIRE.COM](https://www.southwire.com)

©2024 Southwire Company, LLC. All rights reserved.*Registered Trademark & ™Trademark of Southwire Company, LLC.

Item:

LSA4-50PCS-W
LSA4-50PCS-B
LSA4P-50PCS-W
LSA4P-50PCS-B
LSA4P-50PCS-EM-W
LSA4P-50PCS-EM-B
LSA-DC-CNPY-W
LSA-OS-PIR-BT-BL

LSA-LCONN-W
LSA-TCONN-W
LSA-XCONN-W
LSA-CORD5-W
LSA-E2ECONN-W
LSA-DWC-CNPY-W
LSA-DC-CNPY-B
LSA-SMKIT

LSA-LCONN-B
LSA-TCONN-B
LSA-XCONN-B
LSA-CORD5-B
LSA-E2ECONN-B
LSA-DWC-CNPY-B
LSA-OS-PIR-BT-WH
LSA-RMKIT



LUMINAIRE LINÉAIRE ARCHITECTURAL INSTRUCTIONS D'INSTALLATION

LISEZ ET SUIVEZ TOUTES LES CONSIGNES DE SÉCURITÉ!



AVERTISSEMENT

- Effectuez toutes les connexions électriques et terrestres conformément aux codes locaux ou au Code national de l'électricité. Si vous ne connaissez pas ces codes et exigences, consultez un électricien qualifié. Ce professionnel doit être familier avec la construction et le fonctionnement de ce produit et les dangers impliqués. Le défaut de le faire peut entraîner des blessures graves.
- Pour réduire le risque d'incendie, de choc électrique, de blessures corporelles ou de dommages matériels, veuillez lire et suivre toutes les instructions de sécurité. Si vous ne comprenez pas ces instructions ou si des informations supplémentaires sont nécessaires, contactez votre représentant Topaz local. Conservez ces instructions à titre de référence de maintenance.
- Ne pas dépasser la tension d'alimentation autorisée indiquée sur l'étiquette du luminaire.
- Débranchez l'alimentation au niveau du panneau du disjoncteur avant toute installation.



PRUDENCE

- N'exposez pas de fil à des objets tranchants tels que la tôle pour éviter les dommages au câblage ou l'abrasion.
- Pendant que la lumière est allumée, veuillez éviter l'exposition directe des yeux.
- Le matériau combustible doit être tenu à l'écart du luminaire ou de l'objectif.
- Ne faites ni ne modifiez aucun trou ouvert dans un boîtier ou un composant électrique pendant l'installation.
- Ne pas utiliser lorsque l'enceinte est endommagée ou cassée de quelque manière que ce soit.
- Ne modifiez pas, ne déplacez pas ou n'enlevez pas le câblage, l'alimentation électrique du support de lampe ou tout autre composant électrique.

Item:
 LSA4-50PCS-W
 LSA4-50PCS-B
 LSA4P-50PCS-W
 LSA4P-50PCS-B
 LSA4P-50PCS-EM-W
 LSA4P-50PCS-EM-B
 LSA-DC-CNPY-W
 LSA-DC-CNPY-B
 LSA-OS-PIR-BT-BL

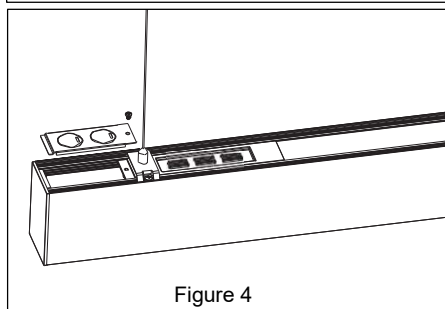
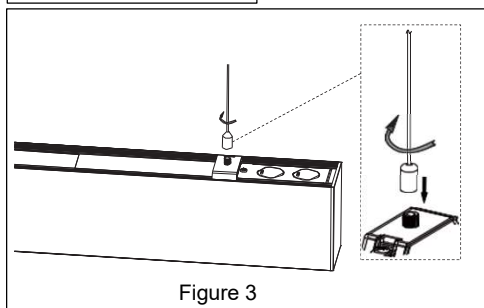
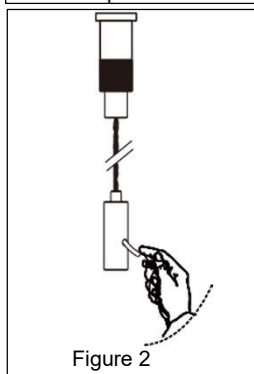
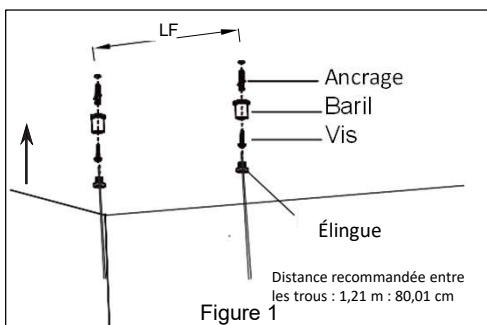
LSA-LCONN-W
 LSA-TCONN-W
 LSA-XCONN-W
 LSA-CORD5-W
 LSA-E2ECONN-W
 LSA-DWC-CNPY-W
 LSA-DC-CNPY-B
 LSA-SMKIT

LSA-LCONN-B
 LSA-TCONN-B
 LSA-XCONN-B
 LSA-CORD5-B
 LSA-E2ECONN-B
 LSA-DWC-CNPY-B
 LSA-OS-PIR-BT-WH
 LSA-RMKIT



LUMINAIRE LINÉAIRE ARCHITECTURAL INSTRUCTIONS D'INSTALLATION

Instructions de Montage: Montage en Suspension:



1. Assurez-vous que le courant électrique a été coupé au niveau du disjoncteur avant d'effectuer tout travail électrique.
2. Localisez la trousse pour le montage en suspension. Dévissez la pince du baril. **Reportez-vous à la Figure 1.**
3. Installez les dispositifs d'ancrages fournis au plafond en perçant un avant-trou pour chaque ancrage au moyen d'une mèche de 5/32 po (4 mm) (non incluse).

AVERTISSEMENT: Assurez-vous que les dispositifs d'ancrages conviennent à la surface de montage et qu'ils peuvent supporter le poids du luminaire. D'autres dispositifs d'ancrage (non fournis) peuvent s'avérer nécessaires.

4. Insérez la vis dans le baril, puis serrez-la dans le dispositif d'ancrage jusqu'à ce qu'elle soit bien serrée.
5. Installez la pince dans le baril.
6. Ajustez la longueur de chaque câble. **Reportez-vous à la Figure 2.**
7. Fixez l'extrémité opposée de l'élingue au support fileté du luminaire. **Reportez-vous à la Figure 3.**
8. Ouvrez l'extrémité du luminaire aux fins de câblage. **Reportez-vous à la Figure 4.**

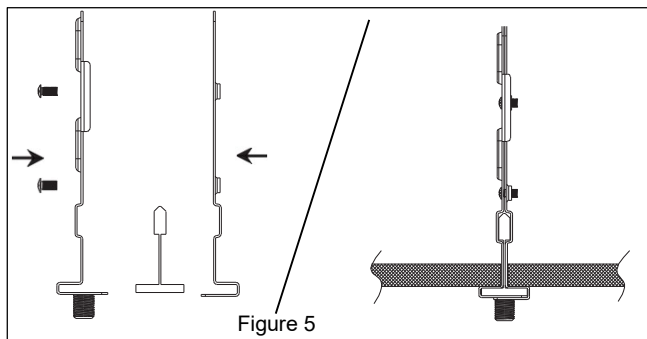
Item:	LSA-LCONN-W	LSA-LCONN-B
LSA4-50PCS-W	LSA-TCONN-W	LSA-TCONN-B
LSA4-50PCS-B	LSA-XCONN-W	LSA-XCONN-B
LSA4P-50PCS-W	LSA-CORD5-W	LSA-CORD5-B
LSA4P-50PCS-B	LSA-E2ECONN-W	LSA-E2ECONN-B
LSA4P-50PCS-EM-W	LSA-DWC-CNPY-W	LSA-DWC-CNPY-B
LSA4P-50PCS-EM-B	LSA-DC-CNPY-B	LSA-OS-PIR-BT-WH
LSA-DC-CNPY-W	LSA-SMKIT	LSA-RMKIT
LSA-OS-PIR-BT-BL		



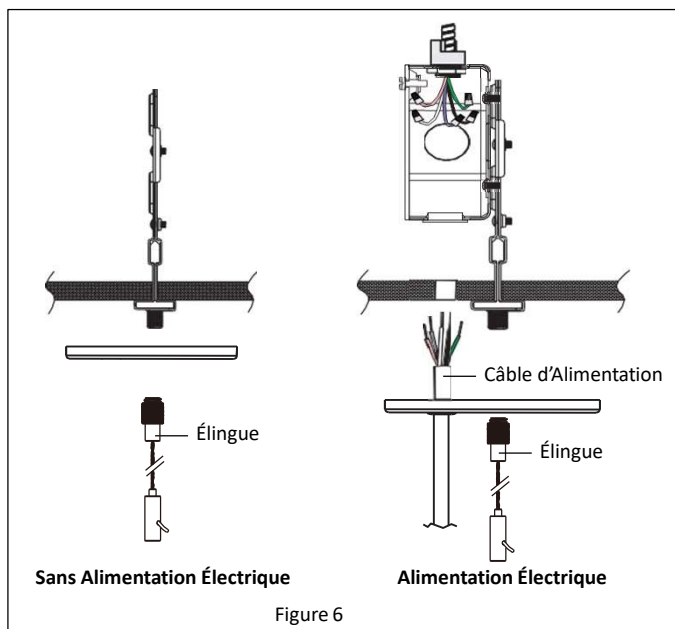
LUMINAIRE LINÉAIRE ARCHITECTURAL

INSTRUCTIONS D'INSTALLATION

Montage en Suspension à un Plafond à Grille en T:



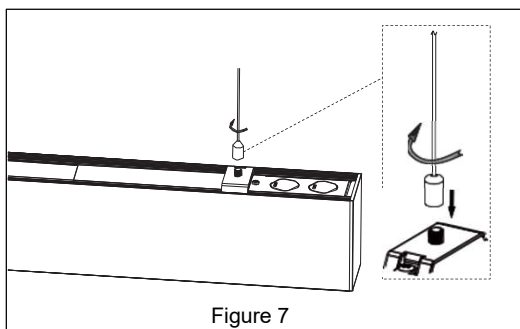
1. À l'aide des vis fournies, fixez les attaches pour grille en T à la grille en T. Deux jeux d'attaches pour grille en T sont nécessaires pour un luminaire de 1,21 m. **Reportez-vous à la Figure 5.**



2. Percez un petit trou à côté de l'attache pour grille en T la plus proche de la source d'alimentation pour y faire passer le câble d'alimentation.

Remarque : Une boîte de jonction peut être fixée aux attaches pour grille en T aux fins de commodité.

3. Fixez le couvercle de montage à l'aide du élingue. **Reportez-vous à la Figure 6.**
4. Veillez à couper l'alimentation électrique, puis branchez le câble d'alimentation à la ligne d'alimentation à l'intérieur de la boîte de jonction.



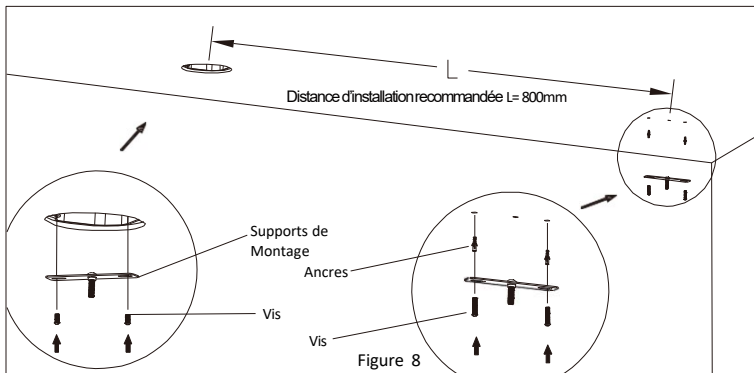
6. Fixez le luminaire à l'élingue. **Reportez-vous à la Figure 7.**
7. Faites passer le câble d'alimentation à travers le couvercle de montage, puis à travers le trou percé à l'étape précédente.
8. Effectuez les connexions de câblage du luminaire conformément au **Schéma de Câblage**.
9. L'installation est terminée.

Item:	LSA-LCONN-W	LSA-LCONN-B
LSA4-50PCS-W	LSA-TCONN-W	LSA-TCONN-B
LSA4-50PCS-B	LSA-XCONN-W	LSA-XCONN-B
LSA4P-50PCS-W	LSA-CORD5-W	LSA-CORD5-B
LSA4P-50PCS-B	LSA-E2ECONN-W	LSA-E2ECONN-B
LSA4P-50PCS-EM-W	LSA-DWC-CNPY-W	LSA-DWC-CNPY-B
LSA4P-50PCS-EM-B	LSA-DC-CNPY-W	LSA-OS-PIR-BT-WH
LSA-DC-CNPY-W	LSA-DC-CNPY-B	LSA-RMKIT
LSA-OS-PIR-BT-BL	LSA-SMKIT	

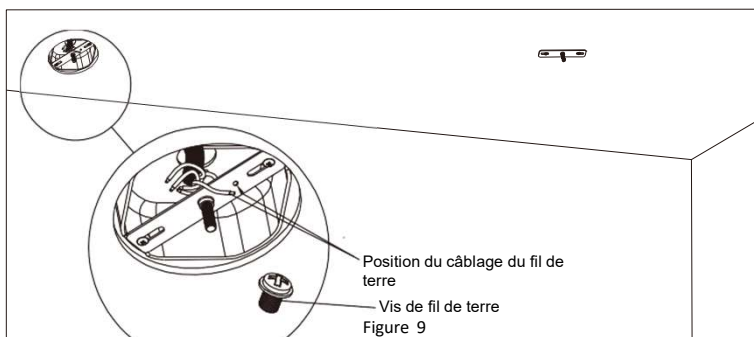


LUMINAIRE LINÉAIRE ARCHITECTURAL INSTRUCTIONS D'INSTALLATION

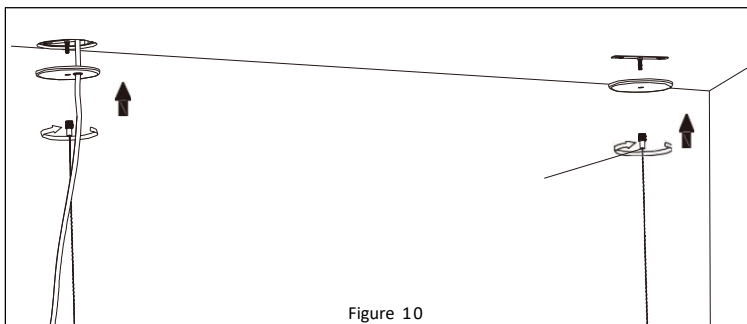
Trousse d'Installation de la Monture à une Cloison Sèche :



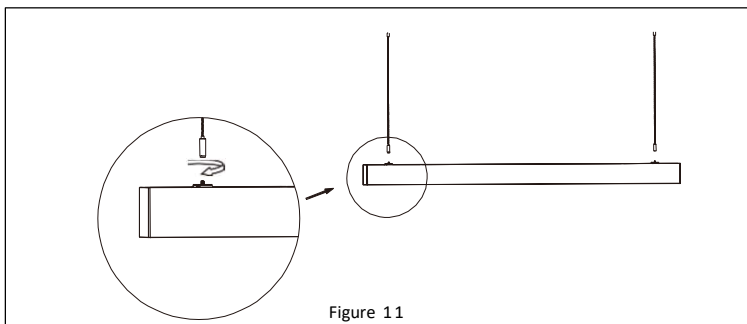
- Fixez les supports de montage. 1 support sera monté sur la boîte de jonction et l'autre au plafond à l'aide d'ancrages. **Reportez-vous à la Figure 8.**



- Fixez le fil de terre au support de montage sur la boîte de jonction à l'aide de la vis de fil de terre. **Reportez-vous à la Figure 9.**



- Passez le cordon d'alimentation à travers le capuchon de la verrière B. Assurez-vous que l'alimentation est coupée et connectez le cordon d'alimentation à l'alimentation c.a., puis fixez la verrière au support de montage avec l'ensemble élingue.
- Fixez le capuchon A de la verrière au support de montage à l'aide de l'ensemble éldée. **Reportez-vous à la Figure 10.**



- Fixez l'extrémité libre de l'él élit à l'impasse filetée intégrée. Ajustez la longueur de suspension du câble de l'avion pour qu'elle convienne à l'environnement installé. **Reportez-vous à la Figure 11.**

Item:
 LSA4-50PCS-W
 LAS4-50PCS-B
 LSA4P-50PCS-W
 LSA4P-50PCS-B
 LSA4P-50PCS-EM-W
 LSA4P-50PCS-EM-B
 LSA-DC-CNPY-W
 LSA-OS-PIR-BT-BL

LSA-LCONN-W
 LSA-TCONN-W
 LSA-XCONN-W
 LSA-CORD5-W
 LSA-E2ECONN-W
 LSA-DWC-CNPY-W
 LSA-DC-CNPY-B
 LSA-SMKIT

LSA-LCONN-B
 LSA-TCONN-B
 LSA-XCONN-B
 LSA-CORD5-B
 LSA-E2ECONN-B
 LSA-DWC-CNPY-B
 LSA-OS-PIR-BT-WH
 LSA-RMKIT



LUMINAIRE LINÉAIRE ARCHITECTURAL INSTRUCTIONS D'INSTALLATION

Trousse de Montage en Surface:

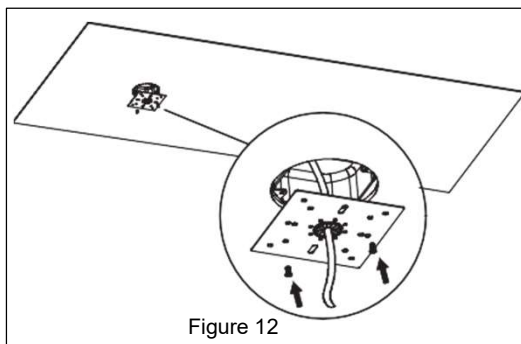


Figure 12

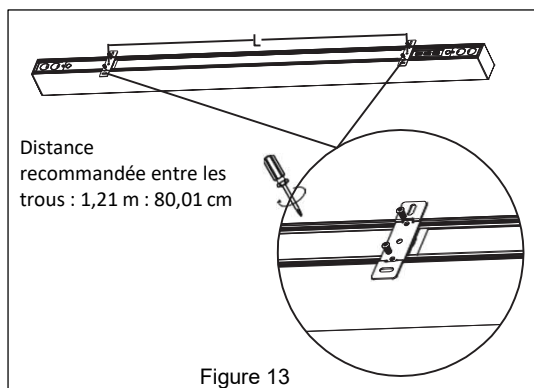


Figure 13

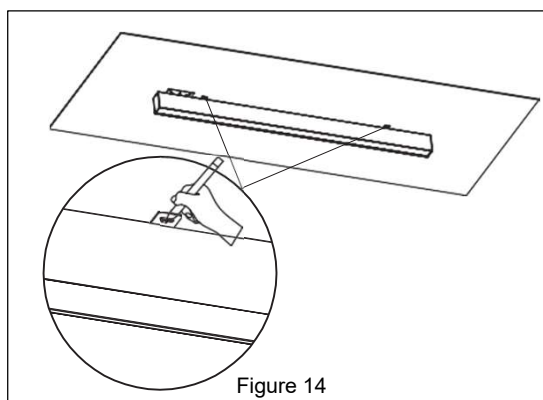


Figure 14

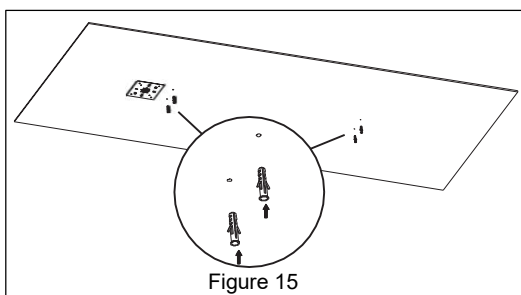


Figure 15

1. Fixez la plaque carrée à la boîte de jonction à l'aide des vis fournies. **Reportez-vous à la Figure 12.**
2. Fixez les deux supports de montage en surface à l'arrière du luminaire à l'aide des vis courtes fournies. **Reportez-vous à la Figure 13.**
3. Maintenez le luminaire sur la surface de montage, puis marquez les positions de fixation des supports installés à l'étape précédente. **Reportez-vous à la Figure 14.**
4. Percez des trous aux endroits marqués et insérez les dispositifs d'ancrages fournis. **Reportez-vous à la Figure 15.**

AVERTISSEMENT : Assurez-vous que les dispositifs d'ancrages conviennent à la surface de montage et qu'ils peuvent supporter le poids du luminaire. D'autres dispositifs d'ancrage (non fournis) peuvent s'avérer nécessaires.

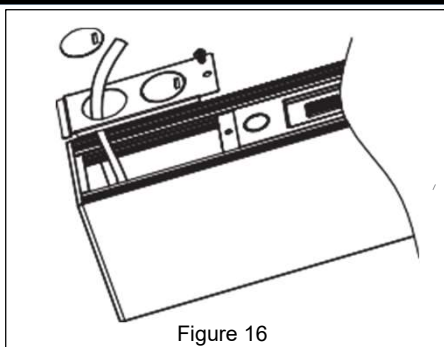
Item:
 LSA4-50PCS-W
 LSA4-50PCS-B
 LSA4P-50PCS-W
 LSA4P-50PCS-B
 LSA4P-50PCS-EM-W
 LSA4P-50PCS-EM-B
 LSA-DC-CNPY-W
 LSA-DC-CNPY-B
 LSA-OS-PIR-BT-BL

LSA-LCONN-W
 LSA-TCONN-W
 LSA-XCONN-W
 LSA-CORD5-W
 LSA-E2ECONN-W
 LSA-DWC-CNPY-W
 LSA-DC-CNPY-B
 LSA-SMKIT

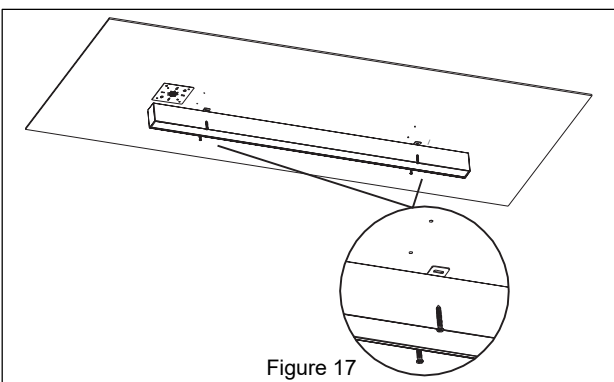
LSA-LCONN-B
 LSA-TCONN-B
 LSA-XCONN-B
 LSA-CORD5-B
 LSA-E2ECONN-B
 LSA-DWC-CNPY-B
 LSA-OS-PIR-BT-WH
 LSA-RMKIT



LUMINAIRE LINÉAIRE ARCHITECTURAL INSTRUCTIONS D'INSTALLATION

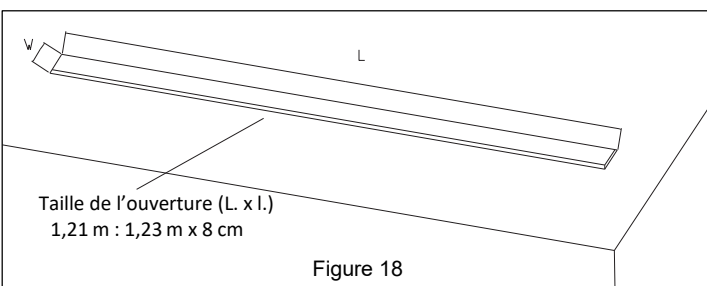


5. Retirez les débouchures dans le couvercle, puis dévissez le couvercle et sortez les fils pour les connecter. Effectuez les connexions de câblage conformément au **schéma de câblage**, puis réinstallez le couvercle. **Reportez-vous à la Figure 16.**

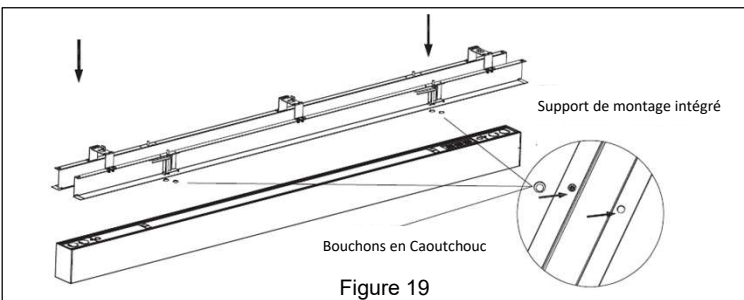


6. À l'aide de vis longues, fixez le luminaire à la surface de montage. **Reportez-vous à la Figure 17.**
 7. L'installation est terminée.

Trousse de Montage Encastré :



1. Découpez une ouverture à l'endroit où le luminaire sera installé. **Reportez-vous à la Figure 18.**



2. Retirez les quatre bouchons en caoutchouc du support de montage, puis installez le support de montage sur le luminaire. **Reportez-vous à la Figure 19.**

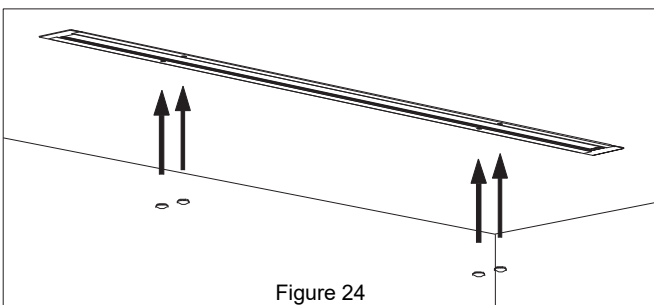
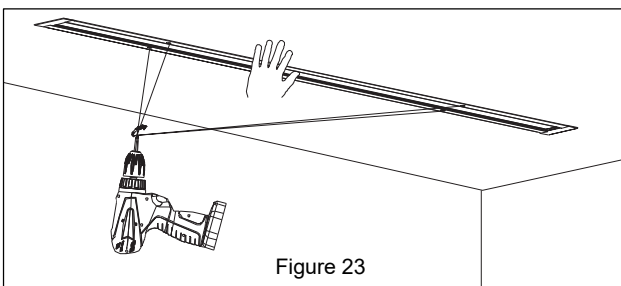
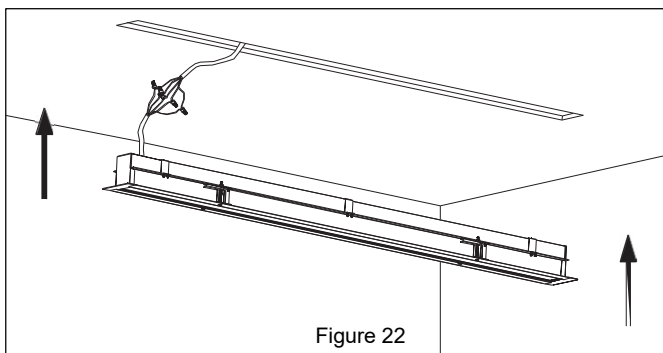
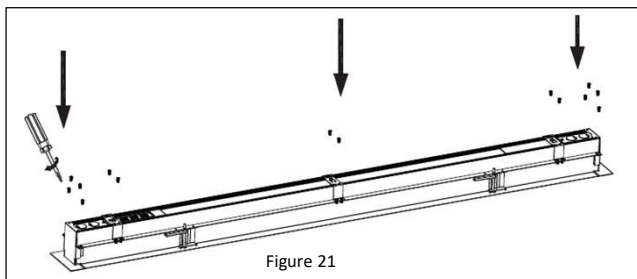
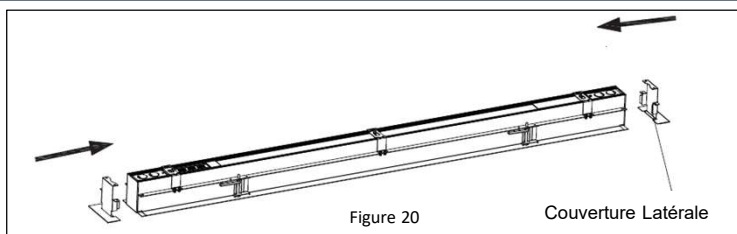
Item:
 LSA4-50PCS-W
 LSA4-50PCS-B
 LSA4P-50PCS-W
 LSA4P-50PCS-B
 LSA4P-50PCS-EM-W
 LSA4P-50PCS-EM-B
 LSA-DC-CNPY-W
 LSA-OS-PIR-BT-BL

LSA-LCONN-W
 LSA-TCONN-W
 LSA-XCONN-W
 LSA-CORD5-W
 LSA-E2ECONN-W
 LSA-DWC-CNPY-W
 LSA-DC-CNPY-B
 LSA-SMKIT

LSA-LCONN-B
 LSA-TCONN-B
 LSA-XCONN-B
 LSA-CORD5-B
 LSA-E2ECONN-B
 LSA-DWC-CNPY-B
 LSA-OS-PIR-BT-WH
 LSA-RMKIT



LUMINAIRE LINÉAIRE ARCHITECTURAL INSTRUCTIONS D'INSTALLATION



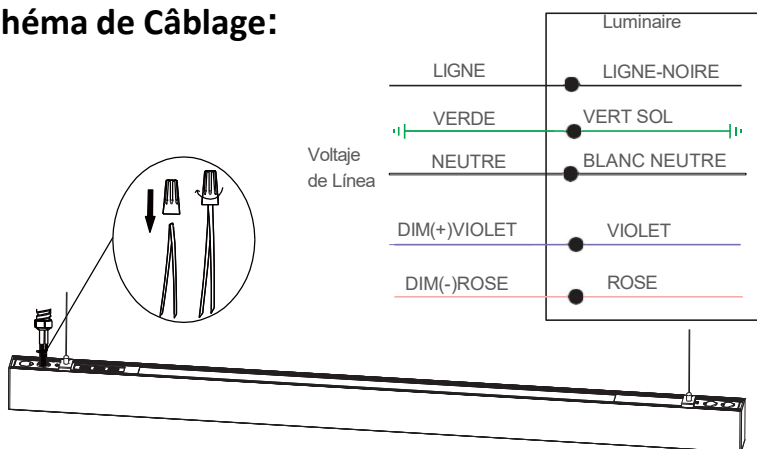
3. Installez les embouts latéraux. **Reportez-vous à la Figure 20.**
4. Fixez le support de montage au luminaire à l'aide des vis fournies. **Reportez-vous à la Figure 21.**
5. Effectuez les connexions de câblage conformément au **schéma de câblage**. **Reportez-vous à la Figure 22.**
6. Insérez le luminaire dans la fente au plafond et serrez fermement les quatre vis. **Reportez-vous à la Figure 23.**
7. Installez les bouchons en caoutchouc pour masquer les têtes de vis. **Reportez-vous à la Figure 24.**
8. L'installation est terminée.

- Item:
- | | | |
|------------------|----------------|------------------|
| LSA4-50PCS-W | LSA-LCONN-W | LSA-LCONN-B |
| LSA4-50PCS-B | LSA-TCONN-W | LSA-TCONN-B |
| LSA4P-50PCS-W | LSA-XCONN-W | LSA-XCONN-B |
| LSA4P-50PCS-B | LSA-CORD5-W | LSA-CORD5-B |
| LSA4P-50PCS-EM-W | LSA-E2ECONN-W | LSA-E2ECONN-B |
| LSA4P-50PCS-EM-B | LSA-DWC-CNPY-W | LSA-DWC-CNPY-B |
| LSA-DC-CNPY-W | LSA-DC-CNPY-B | LSA-OS-PIR-BT-WH |
| LSA-OS-PIR-BT-BL | LSA-SMKIT | LSA-RMKIT |



LUMINAIRE LINÉAIRE ARCHITECTURAL INSTRUCTIONS D'INSTALLATION

Schéma de Câblage:



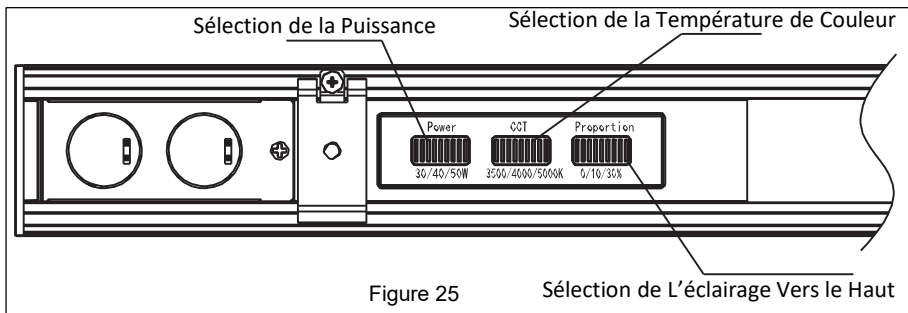
Remarque : En cas d'installation d'un luminaire d'urgence, il est nécessaire de raccorder une ligne non commutée directe du disjoncteur au fil rouge du luminaire. Cela chargera la batterie de secours.

- Coupez le courant alternatif avant d'entreprendre tout travail électrique. Raccordez le fil noir au fil de phase, le fil blanc au fil neutre et le fil vert à la mise à la terre. Utilisez les capuchons de connexion fournis pour bien assurer les raccordements.
- Remarque :** Si vous souhaitez une gradation de l'intensité lumineuse, passez les fils violet et rose à travers l'orifice en plus des fils noir, blanc et vert. Raccordez le fil violet et le fil rose à un gradateur de 0 à 10 V compatible.

Gradateurs Approuvés

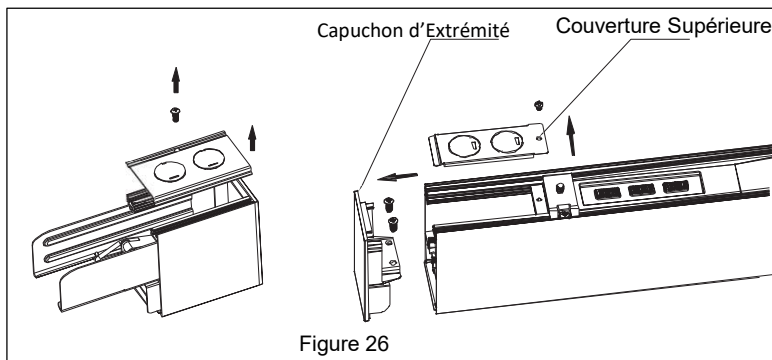
Créateur	Modèle
Leviton	DD710
	DS710
	IP710
Lutron	DVSTV
	MS-Z101
	DVTV

Sélection de la Puissance, de la Température de Couleur et de l'éclairage Dirigé Vers le Haut:



- Réglez la puissance, la température de couleur et l'éclairage vers le haut en réglant les commutateurs situés sur le dessus du luminaire en fonction de l'environnement d'installation. **Reportez-vous à la Figure 25.**

Installation d'un Détecteur de Mouvement:



- Retirez le couvercle supérieur du module du capteur et du luminaire. Retirez ensuite le capuchon d'extrémité du luminaire. **Reportez-vous à la Figure 26.**

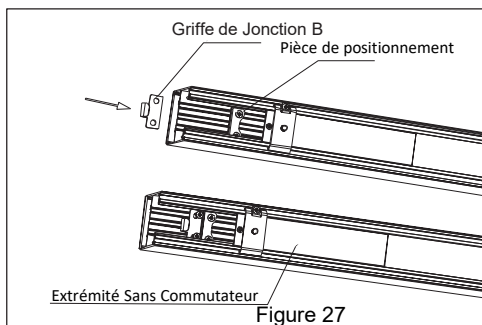
Item:
 LSA4-50PCS-W
 LSA4-50PCS-B
 LSA4P-50PCS-W
 LSA4P-50PCS-B
 LSA4P-50PCS-EM-W
 LSA4P-50PCS-EM-B
 LSA-DC-CNPY-W
 LSA-DC-CNPY-B
 LSA-OS-PIR-BT-BL

LSA-LCONN-W
 LSA-TCONN-W
 LSA-XCONN-W
 LSA-CORD5-W
 LSA-E2ECONN-W
 LSA-DWC-CNPY-W
 LSA-DC-CNPY-B
 LSA-SMKIT

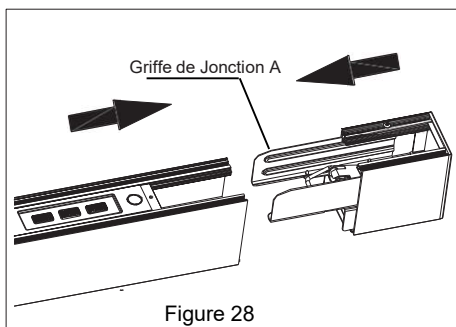
LSA-LCONN-B
 LSA-TCONN-B
 LSA-XCONN-B
 LSA-CORD5-B
 LSA-E2ECONN-B
 LSA-DWC-CNPY-B
 LSA-OS-PIR-BT-WH
 LSA-RMKIT



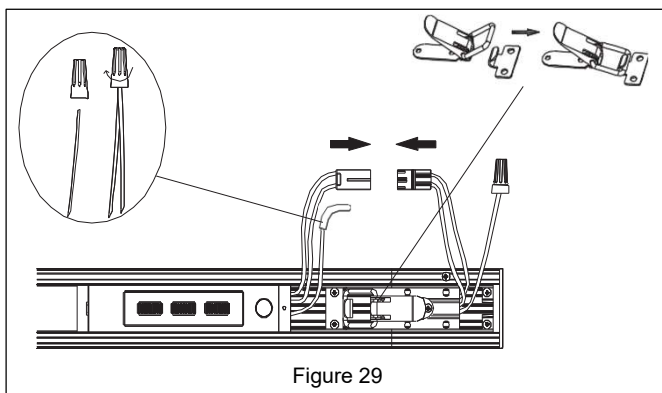
LUMINAIRE LINÉAIRE ARCHITECTURAL INSTRUCTIONS D'INSTALLATION



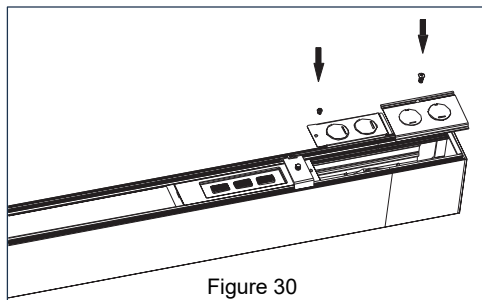
2. Glissez la griffe de jonction B dans la pièce de positionnement et fixez-la à l'aide des vis fournies. **Reportez-vous à la Figure 27.**



3. Glissez la griffe de jonction A dans la pièce de positionnement du luminaire et fixez-la à l'aide des vis fournies. **Reportez-vous à la Figure 28.**



4. Raccordez le luminaire et le module du capteur en insérant la griffe de jonction A dans la griffe de jonction B, puis tirez sur la boucle de verrouillage pour les fixer ensemble.
 5. Raccordez les connecteurs à deux broches du luminaire et du module du capteur, puis branchez le câble d'alimentation auxiliaire à l'aide du capuchon de connexion fourni. **Reportez-vous à la Figure 29.**



6. Réinstallez le couvercle supérieur sur le luminaire et le module du capteur. **Reportez-vous à la Figure 30.**

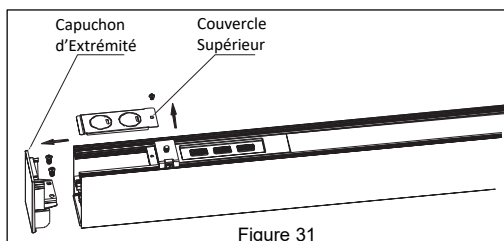
Item:	LSA-LCONN-W	LSA-LCONN-B
LSA4-50PCS-W	LSA-TCONN-W	LSA-TCONN-B
LSA4-50PCS-B	LSA-XCONN-W	LSA-XCONN-B
LSA4P-50PCS-W	LSA-CORD5-W	LSA-CORD5-B
LSA4P-50PCS-B	LSA-E2ECONN-W	LSA-E2ECONN-B
LSA4P-50PCS-EM-W	LSA-DWC-CNPY-W	LSA-DWC-CNPY-B
LSA4P-50PCS-EM-B	LSA-DC-CNPY-B	LSA-OS-PIR-BT-WH
LSA-DC-CNPY-W	LSA-SMKIT	LSA-RMKIT
LSA-OS-PIR-BT-BL		



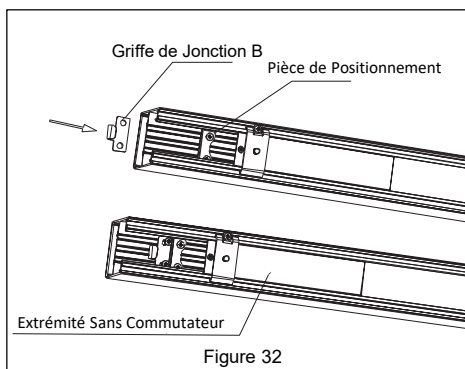
LUMINAIRE LINÉAIRE ARCHITECTURAL INSTRUCTIONS D'INSTALLATION

Accessoires de Raccordement :

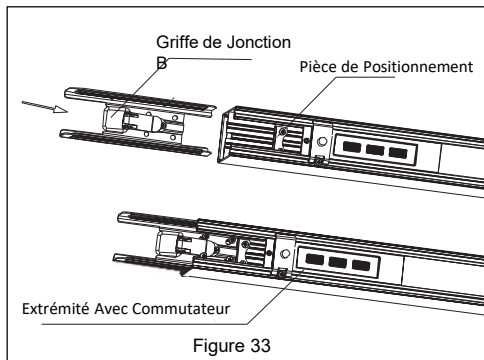
Griffe de Jonction :



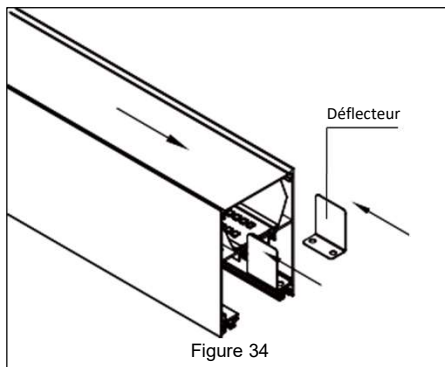
1. Retirez le capuchon d'extrémité et le couvercle supérieur du luminaire. **Reportez-vous à la Figure 31.**



2. Glissez la griffe de jonction B dans la pièce de positionnement et fixez-la à l'aide des vis fournies. **Reportez-vous à la Figure 32.**



3. Glissez la griffe de jonction A dans la pièce de positionnement de l'autre luminaire et fixez-la à l'aide des vis fournies. **Reportez-vous à la Figure 33.**



4. Adaptez le déflecteur au profilé et retirez la plaque du diffuseur. Installez uniquement la moitié de chaque déflecteur. **Reportez-vous à la Figure 34.**

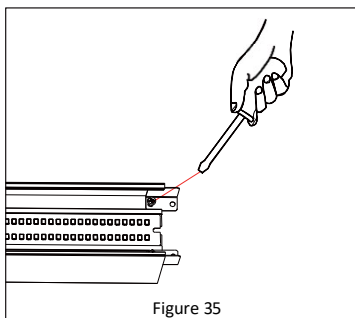
Item:
 LSA4-50PCS-W
 LSA4-50PCS-B
 LSA4P-50PCS-W
 LSA4P-50PCS-B
 LSA4P-50PCS-EM-W
 LSA4P-50PCS-EM-B
 LSA-DC-CNPY-W
 LSA-OS-PIR-BT-BL

LSA-LCONN-W
 LSA-TCONN-W
 LSA-XCONN-W
 LSA-CORD5-W
 LSA-E2ECONN-W
 LSA-DWC-CNPY-W
 LSA-DC-CNPY-B
 LSA-SMKIT

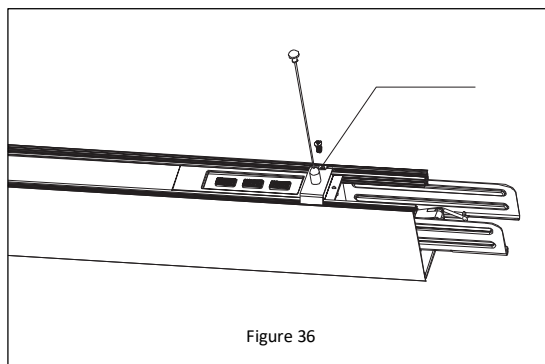
LSA-LCONN-B
 LSA-TCONN-B
 LSA-XCONN-B
 LSA-CORD5-B
 LSA-E2ECONN-B
 LSA-DWC-CNPY-B
 LSA-OS-PIR-BT-WH
 LSA-RMKIT



LUMINAIRE LINÉAIRE ARCHITECTURAL INSTRUCTIONS D'INSTALLATION

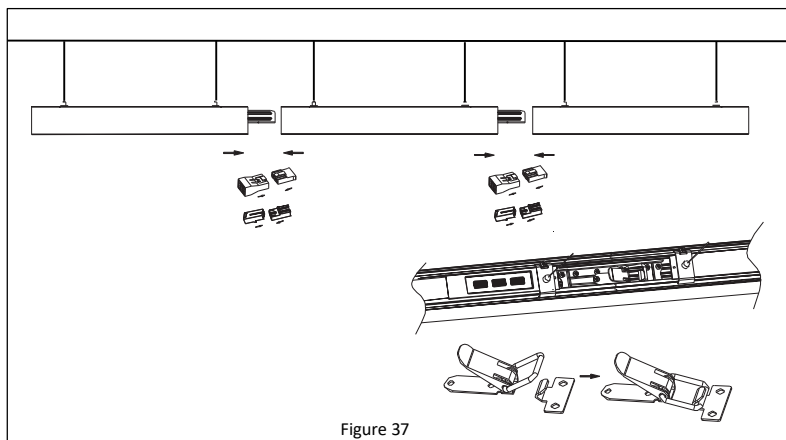


5. Serrez la vis sur chaque déflecteur. **Reportez-vous à la Figure 35.**



6. Installez le support de levage dans le luminaire dans une position permettant la suspension et l'accouplement. **Reportez-vous à la Figure 36.**

7. Suspendez le luminaire du plafond. Pour ce faire, reportez-vous aux **Instructions de Montage.**



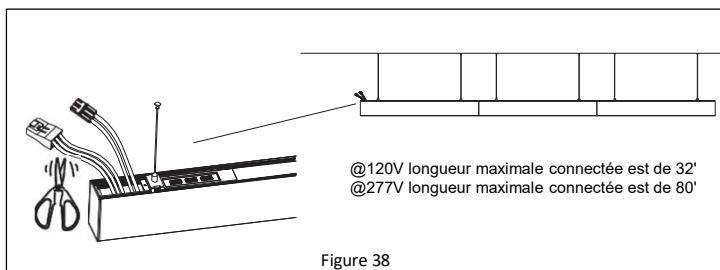
8. Raccordez les deux luminaires en insérant la griffe de jonction A dans la griffe de jonction B, puis tirez sur la boucle de verrouillage pour les fixer ensemble.

9. Effectuez la connexion électrique entre les luminaires à l'aide de connecteurs mâle-femelle. **Reportez-vous à la Figure 37.**

Item:	LSA-LCONN-W	LSA-LCONN-B
LSA4-50PCS-W	LSA-TCONN-W	LSA-TCONN-B
LSA4-50PCS-B	LSA-XCONN-W	LSA-XCONN-B
LSA4P-50PCS-W	LSA-CORD5-W	LSA-CORD5-B
LSA4P-50PCS-B	LSA-E2ECONN-W	LSA-E2ECONN-B
LSA4P-50PCS-EM-W	LSA-DWC-CNPY-W	LSA-DWC-CNPY-B
LSA4P-50PCS-EM-B	LSA-DC-CNPY-B	LSA-OS-PIR-BT-WH
LSA-DC-CNPY-W	LSA-SMKIT	LSA-RMKIT
LSA-OS-PIR-BT-BL		

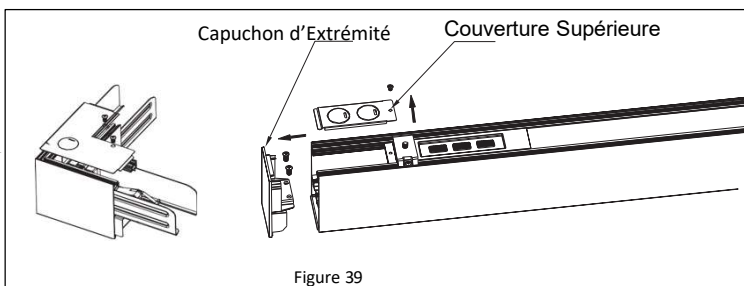


LUMINAIRE LINÉAIRE ARCHITECTURAL INSTRUCTIONS D'INSTALLATION

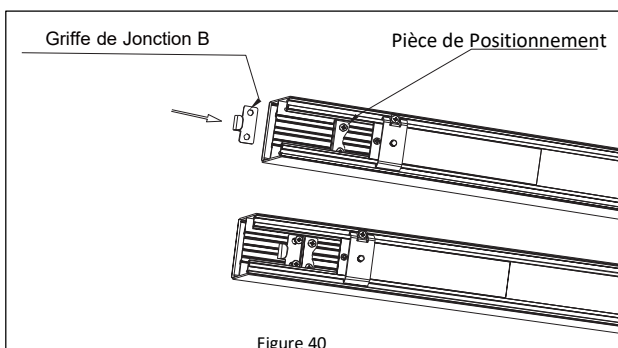


10. Coupez les connecteurs d'une extrémité pour le raccordement à la tension secteur. **Reportez-vous à la Figure 38.**
11. Raccordez les fils conformément au *Schéma de Câblage*.

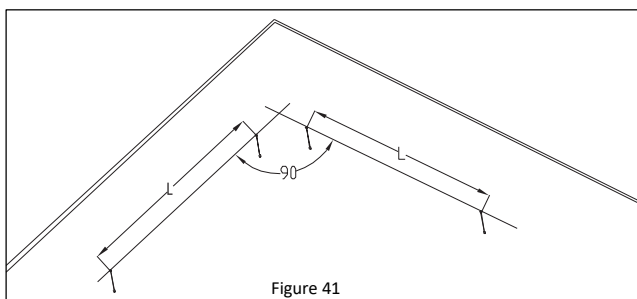
Connecteur en « L » :



1. Retirez le couvercle supérieur du connecteur en « L » et du luminaire. Retirez ensuite le capuchon d'extrémité du luminaire. **Reportez-vous à la Figure 39.**



2. Glissez la griffe de jonction B dans la pièce de positionnement et fixez-la à l'aide de vis. **Reportez-vous à la Figure 40.**



3. Marquez au plafond l'emplacement des fixations pour les luminaires; veuillez vous reporter aux **instructions de montage** pour le montage du luminaire. **Reportez-vous à la Figure 41.**

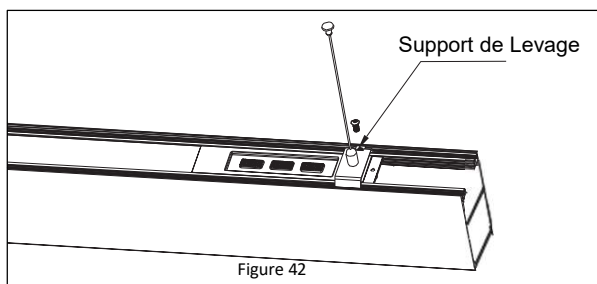
Item:
 LSA4-50PCS-W
 LSA4-50PCS-B
 LSA4P-50PCS-W
 LSA4P-50PCS-B
 LSA4P-50PCS-EM-W
 LSA4P-50PCS-EM-B
 LSA-DC-CNPY-W
 LSA-DC-CNPY-B
 LSA-OS-PIR-BT-BL

LSA-LCONN-W
 LSA-TCONN-W
 LSA-XCONN-W
 LSA-CORD5-W
 LSA-E2ECONN-W
 LSA-DWC-CNPY-W
 LSA-DC-CNPY-B
 LSA-SMKIT

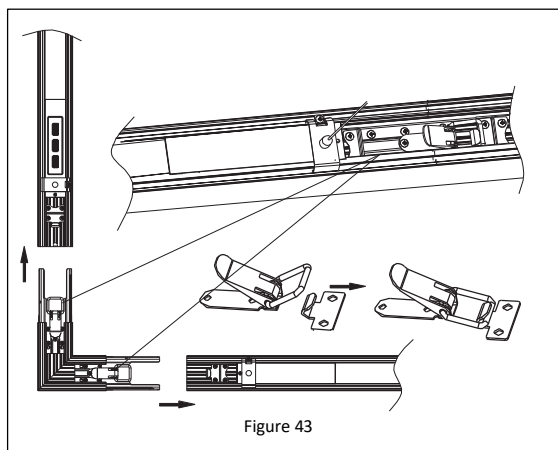
LSA-LCONN-B
 LSA-TCONN-B
 LSA-XCONN-B
 LSA-CORD5-B
 LSA-E2ECONN-B
 LSA-DWC-CNPY-B
 LSA-OS-PIR-BT-WH
 LSA-RMKIT



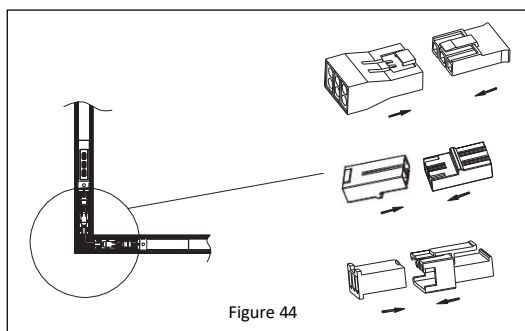
LUMINAIRE LINÉAIRE ARCHITECTURAL INSTRUCTIONS D'INSTALLATION



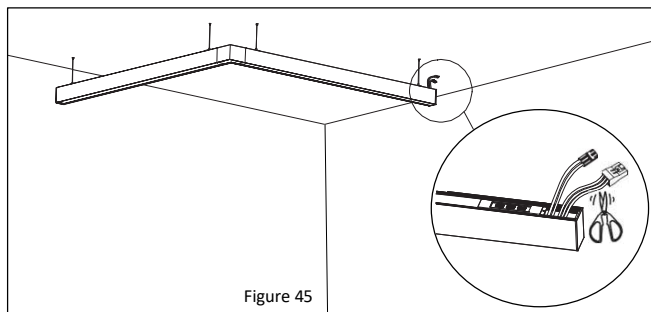
4. Ajustez le support de levage sur le luminaire dans une position permettant la suspension et l'accouplement. **Reportez-vous à la Figure 42.**



5. Insérez le connecteur en « L » dans le luminaire et accrochez le loquet à la griffe de jonction B, puis tirer sur la boucle de verrouillage pour fixer les luminaires ensemble. **Reportez-vous à la Figure 43.**



6. Effectuez la connexion électrique à l'aide de connecteurs mâle-femelle. **Reportez-vous à la Figure 44.**



7. Coupez les connecteurs d'une extrémité pour le raccordement à la tension secteur. **Reportez-vous à la Figure 45.**

Item:
 LSA4-50PCS-W
 LAS4-50PCS-B
 LSA4P-50PCS-W
 LSA4P-50PCS-B
 LSA4P-50PCS-EM-W
 LSA4P-50PCS-EM-B
 LSA-DC-CNPY-W
 LSA-DC-CNPY-B
 LSA-OS-PIR-BT-BL

LSA-LCONN-W
 LSA-TCONN-W
 LSA-XCONN-W
 LSA-CORD5-W
 LSA-E2ECONN-W
 LSA-DWC-CNPY-W
 LSA-DC-CNPY-B
 LSA-SMKIT

LSA-LCONN-B
 LSA-TCONN-B
 LSA-XCONN-B
 LSA-CORD5-B
 LSA-E2ECONN-B
 LSA-DWC-CNPY-B
 LSA-OS-PIR-BT-WH
 LSA-RMKIT



LUMINAIRE LINÉAIRE ARCHITECTURAL INSTRUCTIONS D'INSTALLATION

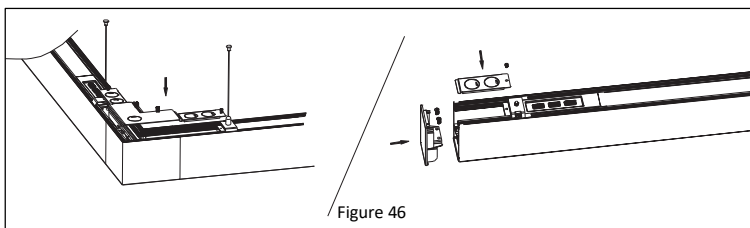


Figure 46

8. Réinstallez le couvercle du connecteur en « L » et du luminaire. **Reportez-vous à la Figure 46.**

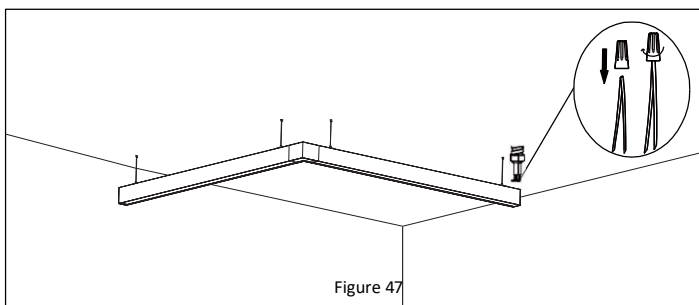


Figure 47

9. Ouvrez le couvercle à une extrémité. Effectuez les connexions de câblage conformément au **Schéma de Câblage**. **Reportez-vous à la Figure 47.**

Connecteur en « T » :

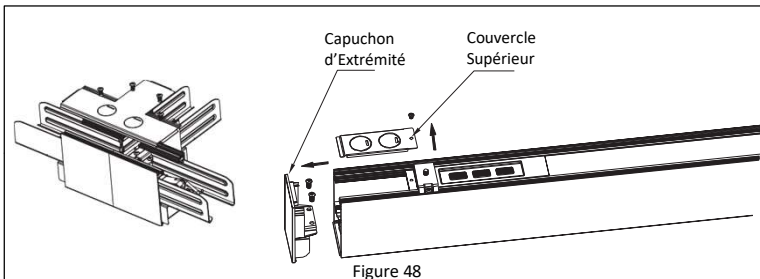


Figure 48

1. Retirez le couvercle supérieur du connecteur en « T » et du luminaire. Ensuite, retirez le capuchon d'extrémité de chaque luminaire. **Reportez-vous à la Figure 48.**

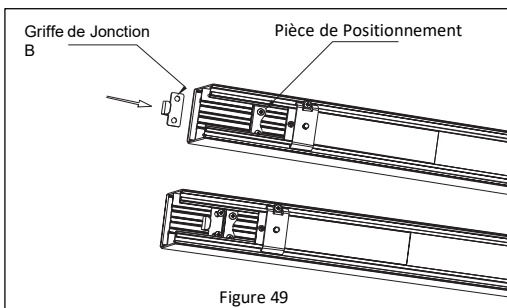


Figure 49

2. Glissez la griffe de jonction B dans la pièce de positionnement des luminaires puis fixez-la à l'aide des vis fournies. **Reportez-vous à la Figure 49.**

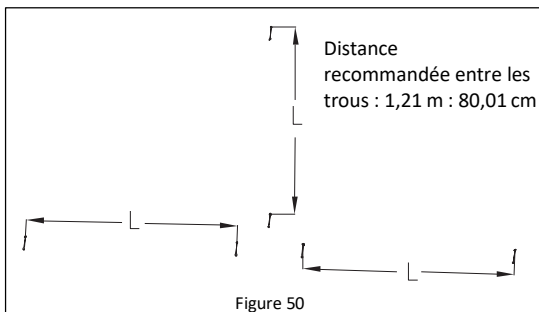


Figure 50

3. Marquez au plafond l'emplacement des fixations pour les luminaires; veuillez vous reporter aux **instructions de montage** pour la suspension du luminaire. **Reportez-vous à la Figure 50.**

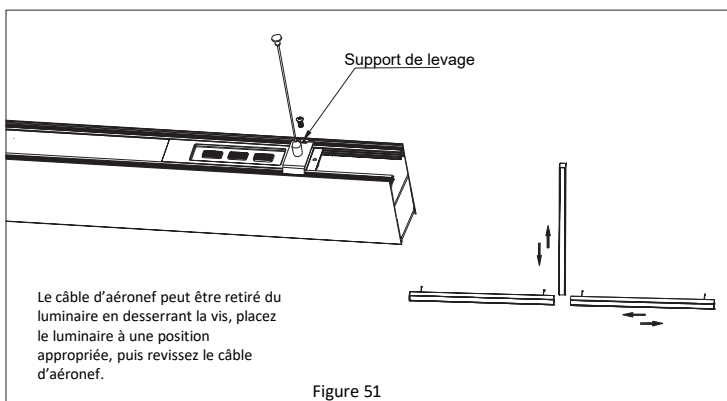
Item:
 LSA4-50PCS-W
 LSA4-50PCS-B
 LSA4P-50PCS-W
 LSA4P-50PCS-B
 LSA4P-50PCS-EM-W
 LSA4P-50PCS-EM-B
 LSA-DC-CNPY-W
 LSA-OS-PIR-BT-BL

LSA-LCONN-W
 LSA-TCONN-W
 LSA-XCONN-W
 LSA-CORD5-W
 LSA-E2ECONN-W
 LSA-DWC-CNPY-W
 LSA-DC-CNPY-B
 LSA-SMKIT

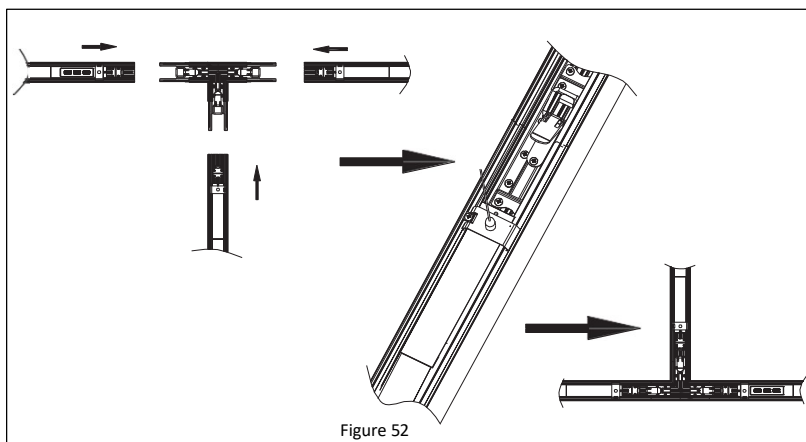
LSA-LCONN-B
 LSA-TCONN-B
 LSA-XCONN-B
 LSA-CORD5-B
 LSA-E2ECONN-B
 LSA-DWC-CNPY-B
 LSA-OS-PIR-BT-WH
 LSA-RMKIT



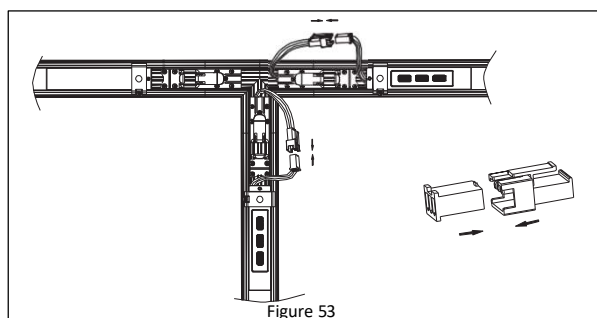
LUMINAIRE LINÉAIRE ARCHITECTURAL INSTRUCTIONS D'INSTALLATION



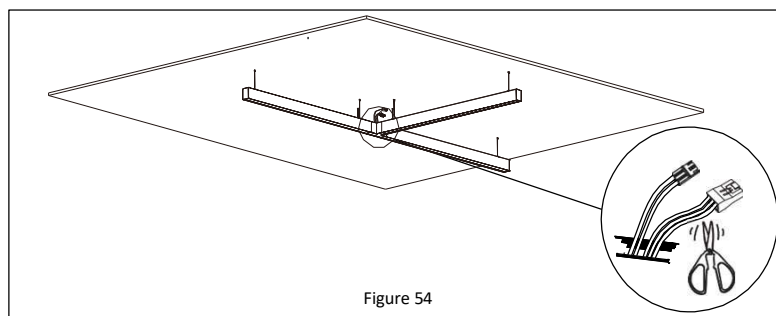
4. Ajustez le support de levage sur chaque luminaire dans une position permettant la suspension et l'accouplement. **Reportez-vous à la Figure 51.**



5. Insérez le connecteur en « T » dans les luminaires et tirez sur la boucle de verrouillage pour fixer les luminaires ensemble. **Reportez-vous à la Figure 52.**



6. Effectuez la connexion électrique entre les luminaires et le connecteur en « T » à l'aide des connecteurs mâle-femelle. **Reportez-vous à la Figure 53.**



7. Ouvrez le couvercle à une extrémité et coupez les connecteurs d'une extrémité pour le raccordement à la tension secteur. Effectuez les connexions de câblage conformément au schéma de câblage. **Reportez-vous à la Figure 54.**

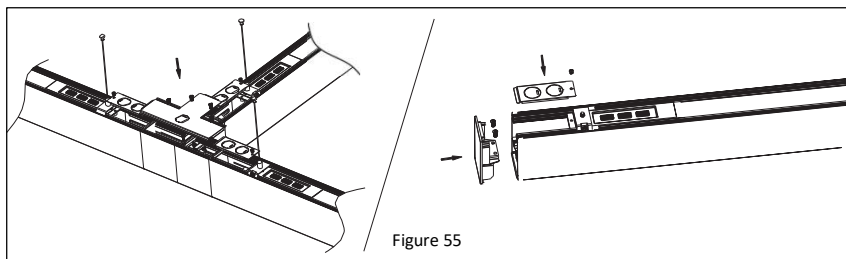
Item:
 LSA4-50PCS-W
 LSA4-50PCS-B
 LSA4P-50PCS-W
 LSA4P-50PCS-B
 LSA4P-50PCS-EM-W
 LSA4P-50PCS-EM-B
 LSA-DC-CNPY-W
 LSA-OS-PIR-BT-BL

LSA-LCONN-W
 LSA-TCONN-W
 LSA-XCONN-W
 LSA-CORD5-W
 LSA-E2ECONN-W
 LSA-DWC-CNPY-W
 LSA-DC-CNPY-B
 LSA-SMKIT

LSA-LCONN-B
 LSA-TCONN-B
 LSA-XCONN-B
 LSA-CORD5-B
 LSA-E2ECONN-B
 LSA-DWC-CNPY-B
 LSA-OS-PIR-BT-WH
 LSA-RMKIT

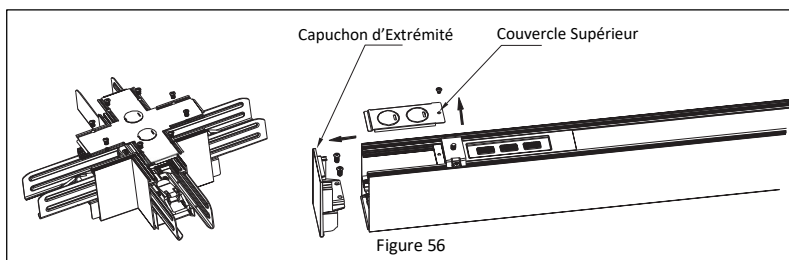


LUMINAIRE LINÉAIRE ARCHITECTURAL INSTRUCTIONS D'INSTALLATION

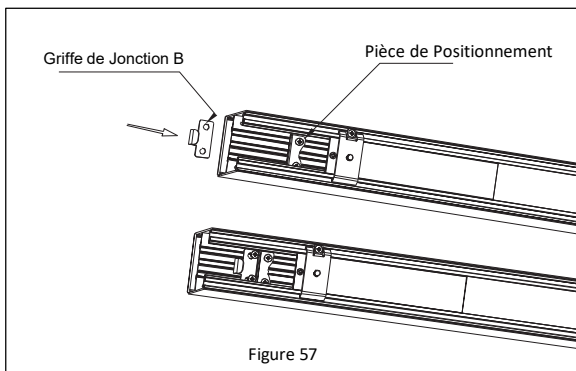


8. Réinstallez le couvercle du connecteur en « T » et des luminaires. **Reportez-vous à la Figure 55.**

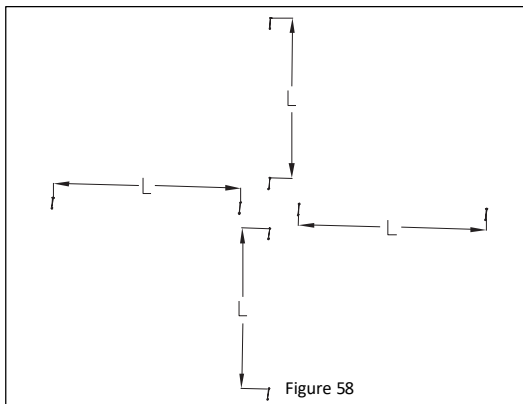
Connecteur en « X » :



1. Retirez le couvercle supérieur du connecteur en « X » et du luminaire. Retirez ensuite le capuchon d'extrémité du luminaire. **Reportez-vous à la Figure 56.**



2. Glissez la griffe de jonction B dans la pièce de positionnement et fixez-la en place à l'aide des vis fournies. **Reportez-vous à la Figure 57.**



3. Marquez au plafond l'emplacement des fixations pour les luminaires; veuillez vous reporter aux **instructions de montage** pour la suspension du luminaire. **Reportez-vous à la Figure 58.**

Item:
 LSA4-50PCS-W
 LSA4-50PCS-B
 LSA4P-50PCS-W
 LSA4P-50PCS-B
 LSA4P-50PCS-EM-W
 LSA4P-50PCS-EM-B
 LSA-DC-CNPY-W
 LSA-DC-CNPY-B
 LSA-OS-PIR-BT-BL

LSA-LCONN-W
 LSA-TCONN-W
 LSA-XCONN-W
 LSA-CORD5-W
 LSA-E2ECONN-W
 LSA-DWC-CNPY-W
 LSA-DC-CNPY-B
 LSA-SMKIT

LSA-LCONN-B
 LSA-TCONN-B
 LSA-XCONN-B
 LSA-CORD5-B
 LSA-E2ECONN-B
 LSA-DWC-CNPY-B
 LSA-OS-PIR-BT-WH
 LSA-RMKIT



LUMINAIRE LINÉAIRE ARCHITECTURAL

INSTRUCTIONS D'INSTALLATION

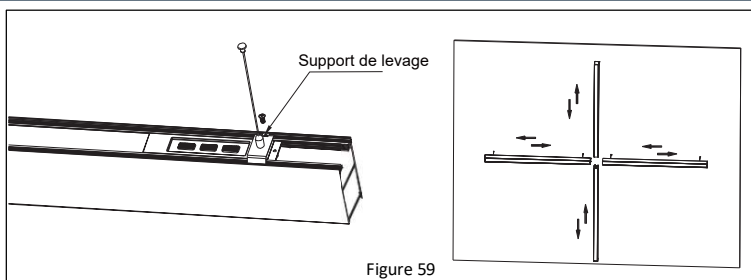


Figure 59

4. Ajustez le support de levage dans le luminaire dans une position permettant la suspension et l'accouplement. **Reportez-vous à la Figure 59.**

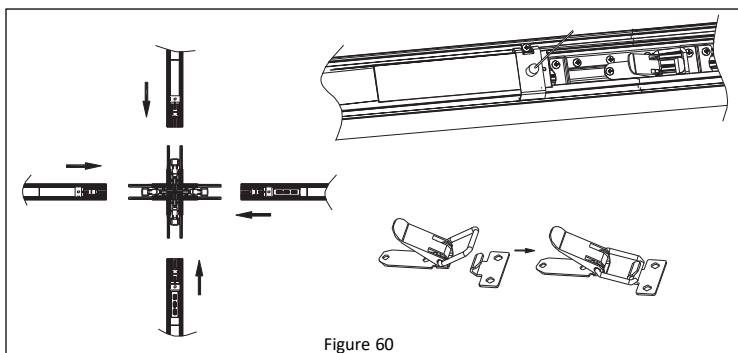


Figure 60

5. Insérez le connecteur en « X » dans les luminaires et tirez sur la boucle de verrouillage pour fixer les luminaires. **Reportez-vous à la Figure 60.**

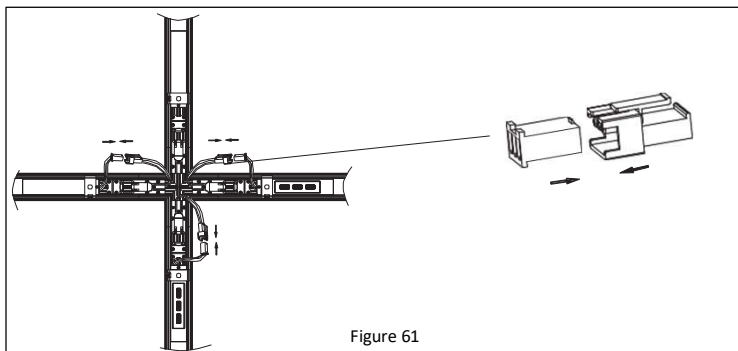


Figure 61

6. Effectuez la connexion électrique entre les luminaires et le connecteur en « X » à l'aide de connecteurs mâle-femelle. **Reportez-vous à la Figure 61.**

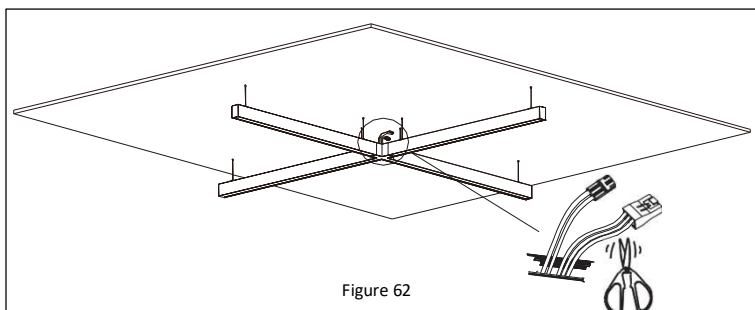


Figure 62

7. Coupez les connecteurs d'une extrémité pour le raccordement à la tension secteur. Effectuez les connexions de câblage conformément au **schéma de câblage**. **Reportez-vous à la Figure 62.**

Item:
LSA4-50PCS-W
LAS4-50PCS-B
LSA4P-50PCS-W
LSA4P-50PCS-B
LSA4P-50PCS-EM-W
LSA4P-50PCS-EM-B
LSA-DC-CNPY-W
LSA-OS-PIR-BT-BL

LSA-LCONN-W
LSA-TCONN-W
LSA-XCONN-W
LSA-CORD5-W
LSA-E2ECONN-W
LSA-DWC-CNPY-W
LSA-DC-CNPY-B
LSA-SMKIT

LSA-LCONN-B
LSA-TCONN-B
LSA-XCONN-B
LSA-CORD5-B
LSA-E2ECONN-B
LSA-DWC-CNPY-B
LSA-OS-PIR-BT-WH
LSA-RMKIT



LUMINAIRE LINÉAIRE ARCHITECTURAL INSTRUCTIONS D'INSTALLATION

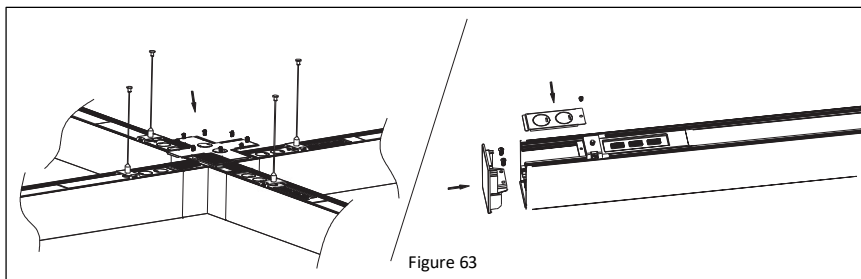


Figure 63

8. Réinstallez le couvercle du connecteur en « X » et du luminaire. **Reportez-vous à la Figure 63.**

****NOTE: THESE INSTRUCTIONS DO NOT ADDRESS ALL PERMUTATIONS THAT MAY EXIST IN INSTALLATION, MAINTENANCE, AND OPERATING ENVIRONMENT.**

****REMARQUE : CES INSTRUCTIONS NE TRAITENT PAS DE TOUTES LES PERMUTATIONS QUI PEUVENT EXISTER DANS L'INSTALLATION, LA MAINTENANCE ET L'ENVIRONNEMENT D'EXPLOITATION.**

****NOTA: ESTAS INSTRUCCIONES NO ABORDAN TODAS LAS PERMUTACIONES QUE PUEDEN EXISTIR EN EL ENTORNO DE INSTALACIÓN, MANTENIMIENTO Y OPERACIÓN.**

800-666-2852 | [SOUTHWIRE.COM](https://www.southwire.com)

©2024 Southwire Company, LLC. All rights reserved.*Registered Trademark & TMTrademark of Southwire Company, LLC.

Item:

LSA4-50PCS-W
LAS4-50PCS-B
LSA4P-50PCS-W
LSA4P-50PCS-B
LSA4P-50PCS-EM-W
LSA4P-50PCS-EM-B
LSA-DC-CNPY-W
LSA-OS-PIR-BT-BL

LSA-LCONN-W
LSA-TCONN-W
LSA-XCONN-W
LSA-CORD5-W
LSA-E2ECONN-W
LSA-DWC-CNPY-W
LSA-DC-CNPY-B
LSA-SMKIT

LSA-LCONN-B
LSA-TCONN-B
LSA-XCONN-B
LSA-CORD5-B
LSA-E2ECONN-B
LSA-DWC-CNPY-B
LSA-OS-PIT-BT-WH
LSA-RMKIT



LÁMPARA TIPO TIRA LINEAL ARQUITECTÓNICA

INSTRUCCIONES DE INSTALACIÓN

¡LEA Y SIGA TODAS LAS INSTRUCCIONES DE SEGURIDAD!



ADVERTENCIA

- Realice todas las conexiones eléctricas y de tierra de acuerdo con los códigos locales o el Código Eléctrico Nacional. Si no está familiarizado con estos códigos y requisitos, consulte a un electricista calificado. Este profesional debe estar familiarizado con la construcción y operación de este producto y los peligros involucrados. No hacerlo puede resultar en lesiones personales graves.
- Para reducir el riesgo de incendio, descarga eléctrica, lesiones personales o daños a la propiedad, lea y siga todas las instrucciones de seguridad. Si no entiende estas instrucciones o si se requiere información adicional, comuníquese con su representante local de Topaz. Conserve estas instrucciones para la referencia de mantenimiento.
- No exceda la tensión de alimentación permitida marcada en la información de la etiqueta de la luminaria.
- Desconecte la alimentación en el panel del disyuntor antes de cualquier instalación.



CAUTELA

- No exponga el cable a ningún objeto afilado, como la chapa metálica, para evitar daños o abrasión en el cableado.
- Mientras la luz está encendida, evite la exposición directa de los ojos.
- El material combustible debe mantenerse alejado del accesorio / LENTE.
- No haga ni altere ningún orificio abierto en ningún gabinete o componente eléctrico durante la instalación.
- No lo uses cuando el recinto esté dañado o roto de alguna manera.
- No altere, reubique ni retire el cableado, la fuente de alimentación del portalámparas ni ningún otro componente eléctrico.

Item:
 LSA4-50PCS-W
 LAS4-50PCS-B
 LSA4P-50PCS-W
 LSA4P-50PCS-B
 LSA4P-50PCS-EM-W
 LSA4P-50PCS-EM-B
 LSA-DC-CNPY-W
 LSA-DC-CNPY-B
 LSA-OS-PIR-BT-BL

LSA-LCONN-W
 LSA-TCONN-W
 LSA-XCONN-W
 LSA-CORD5-W
 LSA-E2ECONN-W
 LSA-DWC-CNPY-W
 LSA-DC-CNPY-B
 LSA-SMKIT

LSA-LCONN-B
 LSA-TCONN-B
 LSA-XCONN-B
 LSA-CORD5-B
 LSA-E2ECONN-B
 LSA-DWC-CNPY-B
 LSA-OS-PIT-BT-WH
 LSA-RMKIT

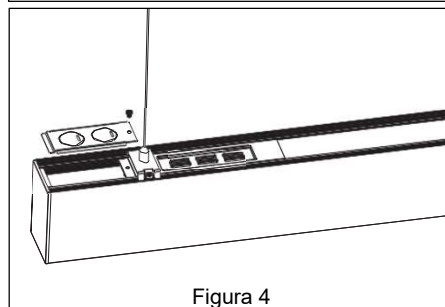
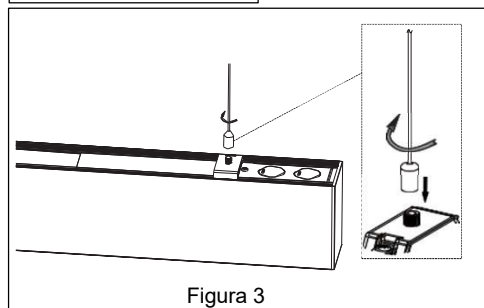
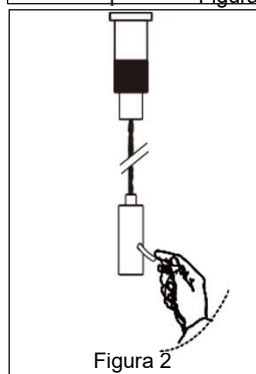
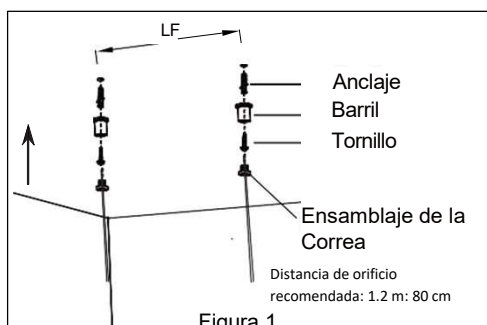


LÁMPARA TIPO TIRA LINEAL ARQUITECTÓNICA

INSTRUCCIONES DE INSTALACIÓN

Instrucciones de Montaje:

Montaje de Suspensión:



1. Asegúrate de que la energía eléctrica se haya desconectado en el disyuntor antes de realizar cualquier trabajo eléctrico.
 2. Localiza el kit de montaje de suspensión. Desenrosca la pinza del perno de seguridad. **Ver Figura 1.**
 3. Instala los anclajes suministrados en el techo perforando un orificio piloto para cada anclaje con una broca de 5/32" (no incluida).
- ADVERTENCIA: Asegúrate de que los anclajes sean aceptables para la superficie de montaje y puedan soportar el peso de la lámpara. Es posible que se requieran otros anclajes de pared (no incluidos).**
4. Inserta el tornillo en el perno de seguridad y aprieta el tornillo en el anclaje hasta que quede ajustado.
 5. Instala la pinza en el perno de seguridad.
 6. Ajusta la longitud de cada cable. **Ver Figura 2**

7. Conecta el extremo opuesto de la correa al soporte roscado en la lámpara. **Ver Figura 3.**
8. Abre el extremo de la lámpara para el cableado. **Ver Figura 4.**

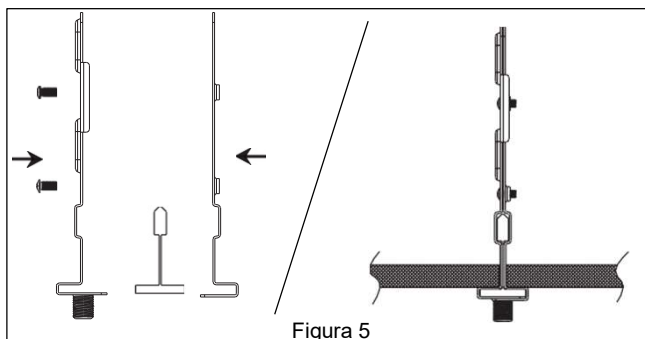
Item:	LSA-LCONN-W	LSA-LCONN-B
LSA4-50PCS-W	LSA-TCONN-W	LSA-TCONN-B
LSA4-50PCS-B	LSA-XCONN-W	LSA-XCONN-B
LSA4P-50PCS-W	LSA-CORD5-W	LSA-CORD5-B
LSA4P-50PCS-B	LSA-E2ECONN-W	LSA-E2ECONN-B
LSA4P-50PCS-EM-W	LSA-DWC-CNPY-W	LSA-DWC-CNPY-B
LSA4P-50PCS-EM-B	LSA-DC-CNPY-W	LSA-OS-PIT-BT-WH
LSA-DC-CNPY-W	LSA-DC-CNPY-B	LSA-RMKIT
LSA-OS-PIR-BT-BL	LSA-SMKIT	



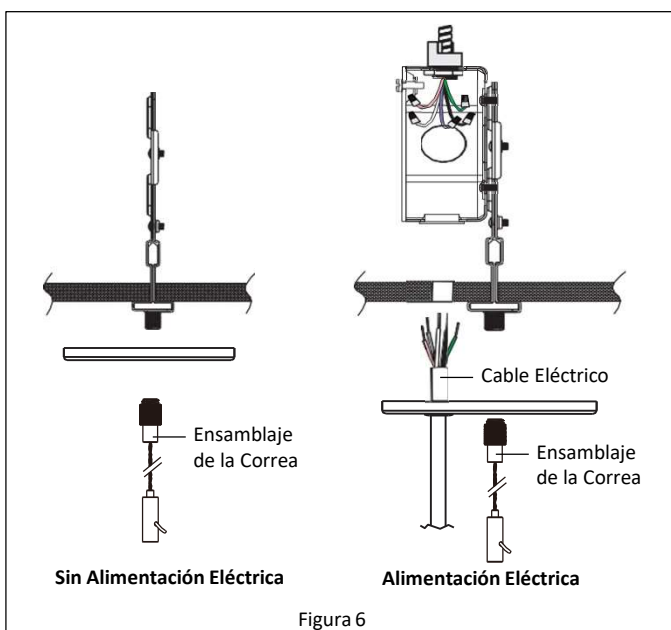
LÁMPARA TIPO TIRA LINEAL ARQUITECTÓNICA

INSTRUCCIONES DE INSTALACIÓN

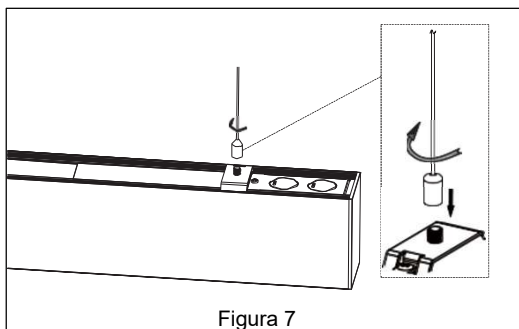
Montaje de suspensión en el techo de rejilla en T:



1. Coloca los sujetadores de la rejilla en T en la rejilla en T con los tornillos incluidos. Se requieren 2 conjuntos de sujetadores de la rejilla en T para una lámpara de 1.2 m. **Ver Figura 5.**



2. Taladra un pequeño orificio al lado del sujetador de la rejilla en T más cercano a la fuente de energía para pasar el cable de alimentación.
- Nota: Se puede conectar una caja de conexiones a los sujetadores de la rejilla en T para mayor comodidad.**
3. Asegura la tapa de la cubierta con el Ensamblaje de la Correa. **Ver Figura 6.**
 4. Asegúrate de que la alimentación de CA esté desconectada, luego conecta el cable de alimentación a la línea de suministro dentro de la caja de conexiones.



5. Asegura la lámpara al ensamblaje de la correa. **Ver Figura 7.**
6. Pasa el cable de alimentación a través de la tapa de la cubierta, luego a través del orificio perforado en el paso anterior.
7. Realiza las conexiones de cableado en la lámpara de acuerdo con el **Diagrama de cableado.**
8. Instalación completa.

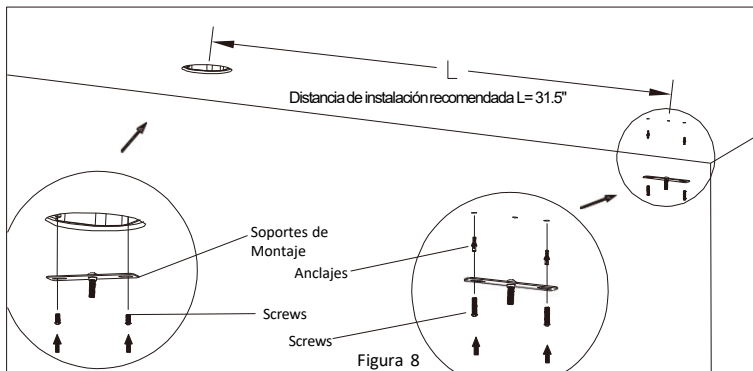
Item:	LSA-LCONN-W	LSA-LCONN-B
LSA4-50PCS-W	LSA-TCONN-W	LSA-TCONN-B
LSA4-50PCS-B	LSA-XCONN-W	LSA-XCONN-B
LSA4P-50PCS-W	LSA-CORD5-W	LSA-CORD5-B
LSA4P-50PCS-B	LSA-E2ECONN-W	LSA-E2ECONN-B
LSA4P-50PCS-EM-W	LSA-DWC-CNPY-W	LSA-DWC-CNPY-B
LSA4P-50PCS-EM-B	LSA-DC-CNPY-W	LSA-OS-PIT-BT-WH
LSA-DC-CNPY-W	LSA-DC-CNPY-B	LSA-RMKIT
LSA-OS-PIR-BT-BL	LSA-SMKIT	



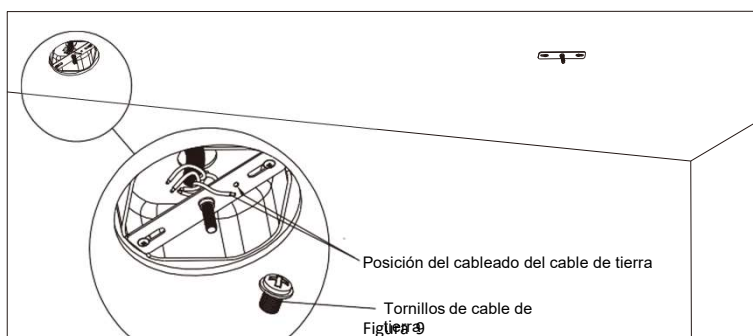
LÁMPARA TIPO TIRA LINEAL ARQUITECTÓNICA

INSTRUCCIONES DE INSTALACIÓN

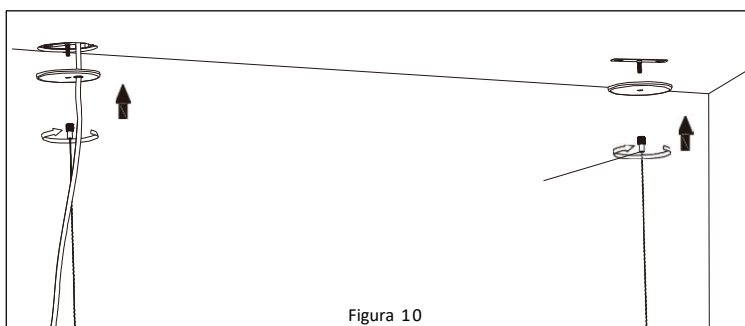
Kit de Cubierta de Panel de Yeso:



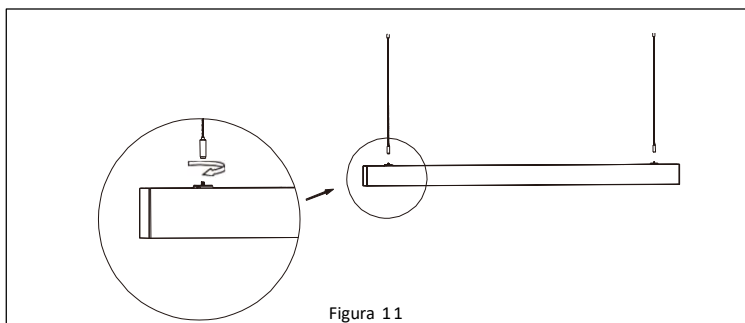
1. Asegure los soportes de montaje. 1 soporte se montará en la caja de conexiones y el otro en el techo mediante anclajes. **Ver la figura 8.**



2. Fije el cable de tierra al soporte de montaje de la caja de conexiones con el tornillo del cable de tierra. **Ver la figura 9.**



3. Pase el cable de alimentación a través de la tapa de la cubierta B. Asegúrese de que la alimentación esté apagada y conecte el cable de alimentación a la fuente de alimentación de CA, luego asegure la cubierta al soporte de montaje con el conjunto de eslinga.
4. Asegure la tapa de la capota A al soporte de montaje con el conjunto de eslinga. **Ver la figura 10.**



5. Fije el extremo libre del conjunto de la eslinga a los separadores roscados incorporados. Ajuste la longitud de suspensión del cable de la aeronave para que sea adecuada para el entorno instalado. **Ver la figura 11.**

Item:
 LSA4-50PCS-W
 LAS4-50PCS-B
 LSA4P-50PCS-W
 LSA4P-50PCS-B
 LSA4P-50PCS-EM-W
 LSA4P-50PCS-EM-B
 LSA-DC-CNPY-W
 LSA-DC-CNPY-B
 LSA-OS-PIR-BT-BL

LSA-LCONN-W
 LSA-TCONN-W
 LSA-XCONN-W
 LSA-CORD5-W
 LSA-E2ECONN-W
 LSA-DWC-CNPY-W
 LSA-DC-CNPY-B
 LSA-SMKIT

LSA-LCONN-B
 LSA-TCONN-B
 LSA-XCONN-B
 LSA-CORD5-B
 LSA-E2ECONN-B
 LSA-DWC-CNPY-B
 LSA-OS-PIT-BT-WH
 LSA-RMKIT



LÁMPARA TIPO TIRA LINEAL ARQUITECTÓNICA

INSTRUCCIONES DE INSTALACIÓN

Kit de Montaje en Superficie:

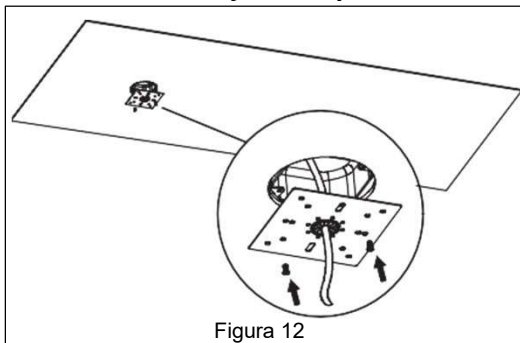


Figura 12

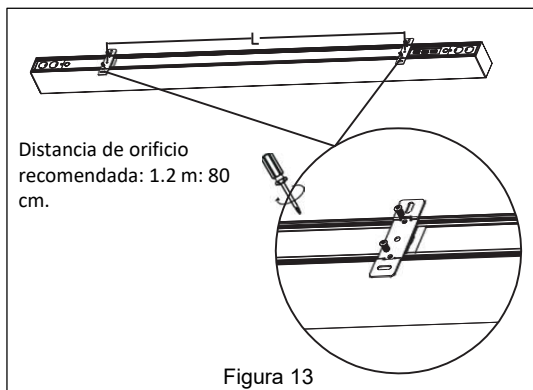


Figura 13

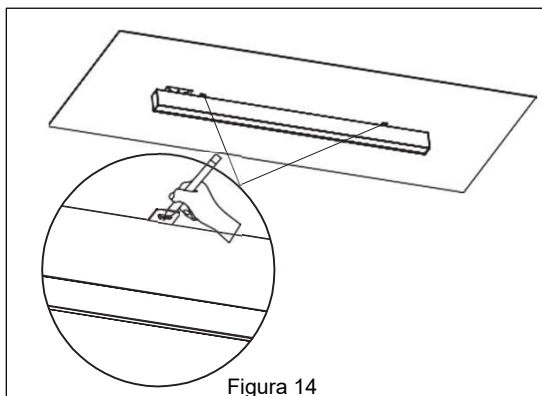


Figura 14

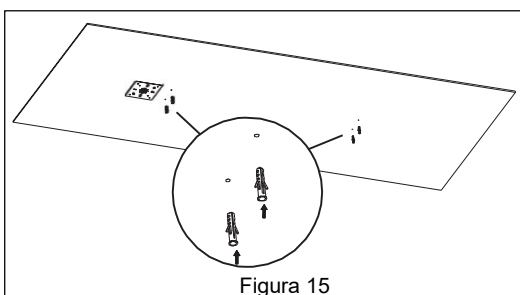


Figura 15

1. Conecta la placa cuadrada a la caja de unión con los tornillos incluidos. **Ver Figura 12.**
2. Conecta los 2 soportes de montaje en la superficie a la lámpara hacia atrás con los tornillos cortos proporcionados. **Ver Figura 13.**
3. Mantén la lámpara en la superficie de montaje, luego marca las posiciones de montaje de los soportes instalados en el paso anterior. **Ver Figura 14.**
4. Taladra los orificios de acuerdo con las marcas e inserta los anclajes incluidos. **Ver Figura 15.**

ADVERTENCIA: Asegúrate de que los anclajes sean aceptables para la superficie de montaje y puedan soportar el peso de la lámpara. Es posible que se requieran otros anclajes de pared (no incluidos).

Item:
 LSA4-50PCS-W
 LSA4-50PCS-B
 LSA4P-50PCS-W
 LSA4P-50PCS-B
 LSA4P-50PCS-EM-W
 LSA4P-50PCS-EM-B
 LSA-DC-CNPY-W
 LSA-DC-CNPY-B
 LSA-OS-PIR-BT-BL

LSA-LCONN-W
 LSA-TCONN-W
 LSA-XCONN-W
 LSA-CORD5-W
 LSA-E2ECONN-W
 LSA-DWC-CNPY-W
 LSA-DC-CNPY-B
 LSA-SMKIT

LSA-LCONN-B
 LSA-TCONN-B
 LSA-XCONN-B
 LSA-CORD5-B
 LSA-E2ECONN-B
 LSA-DWC-CNPY-B
 LSA-OS-PIT-BT-WH
 LSA-RMKIT



LÁMPARA TIPO TIRA LINEAL ARQUITECTÓNICA

INSTRUCCIONES DE INSTALACIÓN

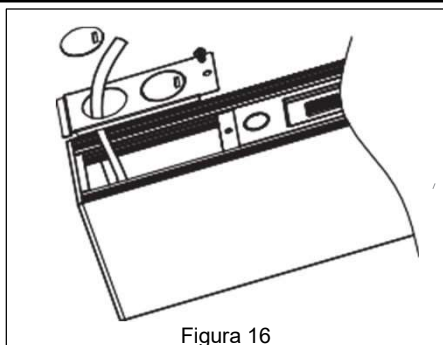


Figura 16

- Presiona el orificio ciego en la tapa, luego desenrosca la tapa, guía los cables para conectarse. Realiza las conexiones de cableado de acuerdo con el **Diagrama de Cableado**, luego reinstala la tapa. **Ver Figura 16.**

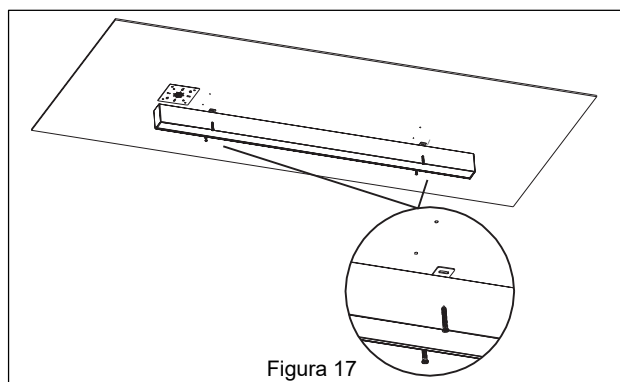


Figura 17

- Asegura la lámpara a la superficie de montaje con tornillos largos. **Ver Figura 17.**
- Instalación completa.

Kit de Montaje Empotrado:

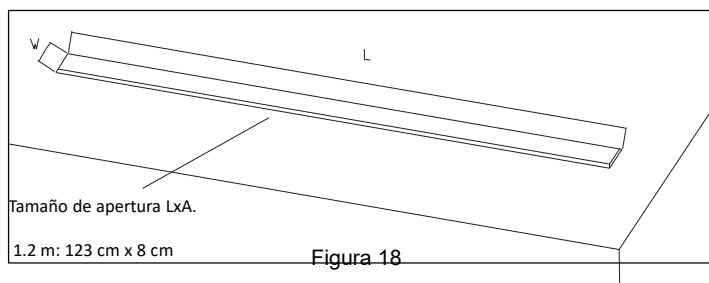


Figura 18

- Corta una abertura en el área en que se instalará la lámpara. **Ver Figura 18.**

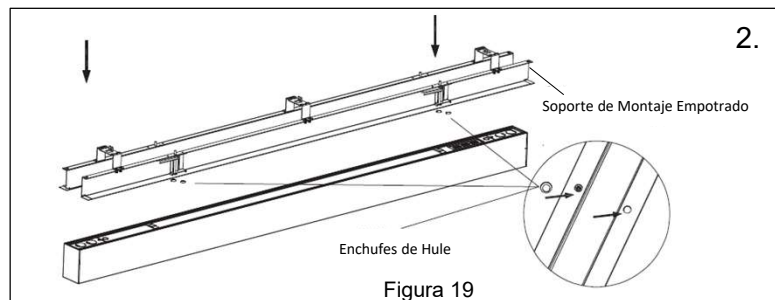


Figura 19

- Retira los 4 tapones de goma del soporte de montaje, luego coloca el soporte de montaje en la lámpara. **Ver Figura 19.**

Item:	LSA-LCONN-W	LSA-LCONN-B
LSA4-50PCS-W	LSA-TCONN-W	LSA-TCONN-B
LSA4-50PCS-B	LSA-XCONN-W	LSA-XCONN-B
LSA4P-50PCS-W	LSA-CORD5-W	LSA-CORD5-B
LSA4P-50PCS-B	LSA-E2ECONN-W	LSA-E2ECONN-B
LSA4P-50PCS-EM-W	LSA-DWC-CNPY-W	LSA-DWC-CNPY-B
LSA4P-50PCS-EM-B	LSA-DC-CNPY-B	LSA-OS-PIT-BT-WH
LSA-DC-CNPY-W	LSA-SMKIT	LSA-RMKIT
LSA-OS-PIR-BT-BL		



LÁMPARA TIPO TIRA LINEAL ARQUITECTÓNICA

INSTRUCCIONES DE INSTALACIÓN

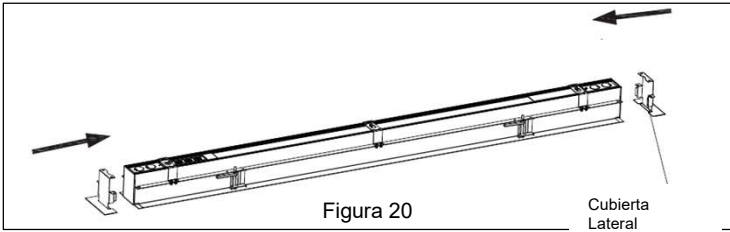


Figura 20

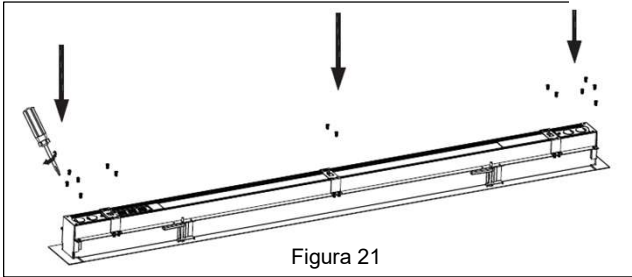


Figura 21

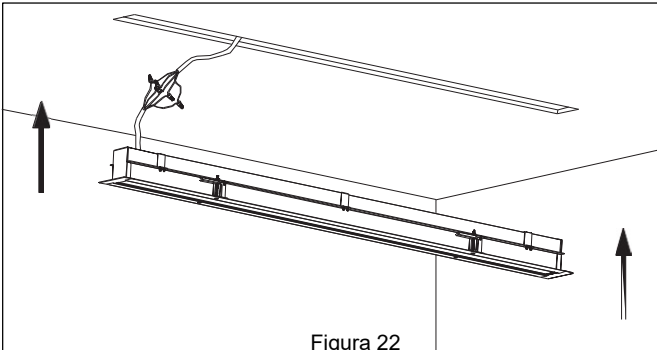


Figura 22

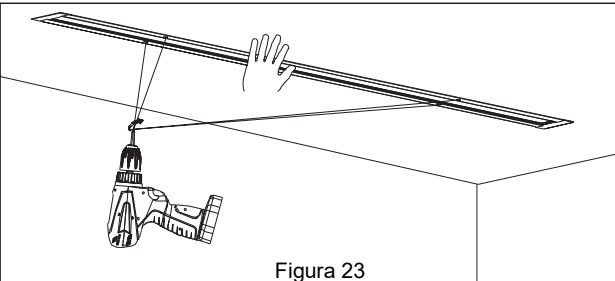


Figura 23

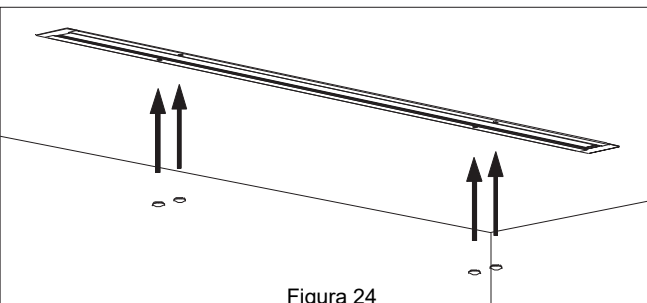


Figura 24

3. Instala las cubiertas laterales. **Ver Figura 20.**
4. Asegura el soporte de montaje a la lámpara con los tornillos incluidos. **Ver Figura 21.**
5. Haz las conexiones del cableado según el **Diagrama de Cableado. Ver Figura 22.**
6. Desliza la lámpara en la ranura del techo y aprieta los 4 tornillos hasta que estén ajustados. **Ver Figura 23.**
7. Instala tapones de goma para ocultar las cabezas de los tornillos. **Ver Figura 24.**
8. Instalación completa.

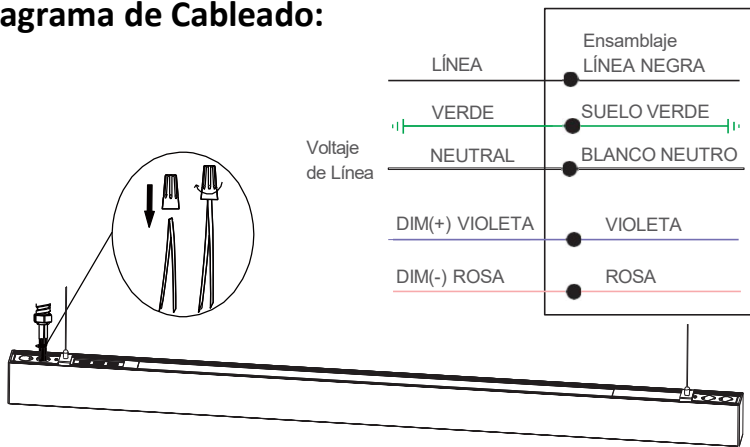
- Item:
- | | | |
|------------------|----------------|------------------|
| LSA4-50PCS-W | LSA-LCONN-W | LSA-LCONN-B |
| LSA4-50PCS-B | LSA-TCONN-W | LSA-TCONN-B |
| LSA4P-50PCS-W | LSA-XCONN-W | LSA-XCONN-B |
| LSA4P-50PCS-B | LSA-CORD5-W | LSA-CORD5-B |
| LSA4P-50PCS-EM-W | LSA-E2ECONN-W | LSA-E2ECONN-B |
| LSA4P-50PCS-EM-B | LSA-DWC-CNPY-W | LSA-DWC-CNPY-B |
| LSA-DC-CNPY-W | LSA-DC-CNPY-B | LSA-OS-PIT-BT-WH |
| LSA-OS-PIR-BT-BL | LSA-SMKIT | LSA-RMKIT |



LÁMPARA TIPO TIRA LINEAL ARQUITECTÓNICA

INSTRUCCIONES DE INSTALACIÓN

Diagrama de Cableado:



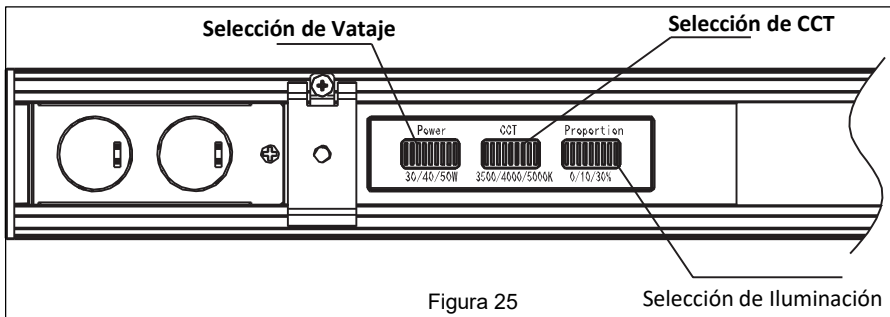
- Apaga la electricidad CA antes de comenzar cualquier trabajo eléctrico. Haz las conexiones de los cables negro a línea, blanco a neutro y verde a tierra. Utiliza las tuercas para cables suministradas para asegurar las conexiones.

Nota: Si deseas regular la intensidad, jala los cables morado y rosa a través del orificio junto con los cables negro, blanco y verde. Conecta el morado y el rosa a un regulador de intensidad compatible de 0-10 V.

Atenuadores Aprobado	
Fabricante	Modelo
Leviton	DD710
	DS710
	IP710
Lutron	DVSTV
	MS-Z101
	DVTV

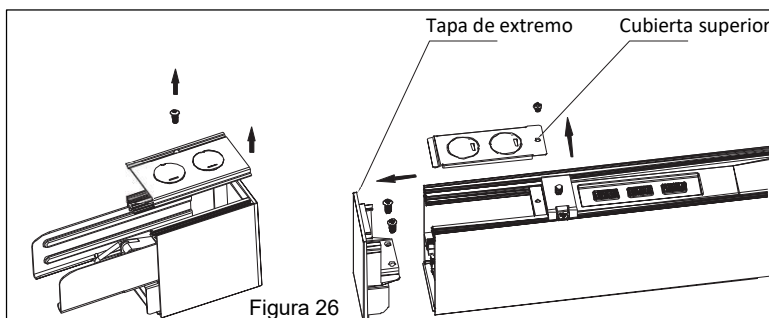
Nota: Si instalas una lámpara de emergencia, una línea sin interruptor directamente desde el interruptor debe conectarse al cable rojo de la lámpara. Esto cargará la batería de respaldo.

Vataje y Selección de CCT y luz Ascendente:



- Configura el vataje, el CCT y la luz indirecta ajustando los interruptores en la parte superior de la lámpara para adaptarse mejor al entorno de instalación. **Ver Figura 25.**

Instalación de Sensor de Movimiento :



1. Retira la cubierta superior del módulo del sensor y de la lámpara. Luego retira la tapa del extremo de la lámpara. **Ver Figura 26.**

Item:
 LSA4-50PCS-W
 LSA4-50PCS-B
 LSA4P-50PCS-W
 LSA4P-50PCS-B
 LSA4P-50PCS-EM-W
 LSA4P-50PCS-EM-B
 LSA-DC-CNPY-W
 LSA-DC-CNPY-B
 LSA-OS-PIR-BT-BL

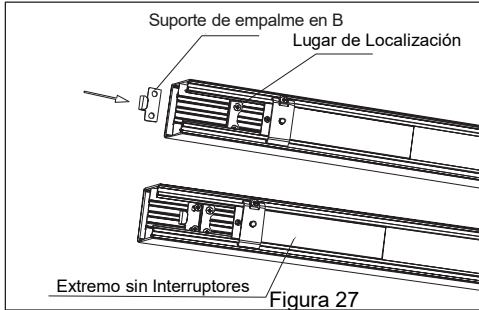
LSA-LCONN-W
 LSA-TCONN-W
 LSA-XCONN-W
 LSA-CORD5-W
 LSA-E2ECONN-W
 LSA-DWC-CNPY-W
 LSA-DC-CNPY-B
 LSA-SMKIT

LSA-LCONN-B
 LSA-TCONN-B
 LSA-XCONN-B
 LSA-CORD5-B
 LSA-E2ECONN-B
 LSA-DWC-CNPY-B
 LSA-OS-PIT-BT-WH
 LSA-RMKIT

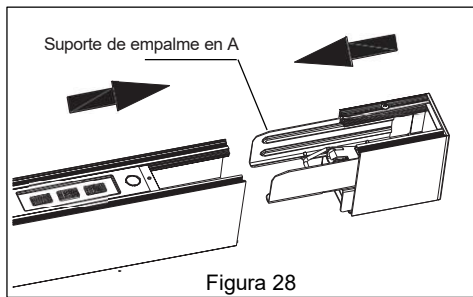


LÁMPARA TIPO TIRA LINEAL ARQUITECTÓNICA

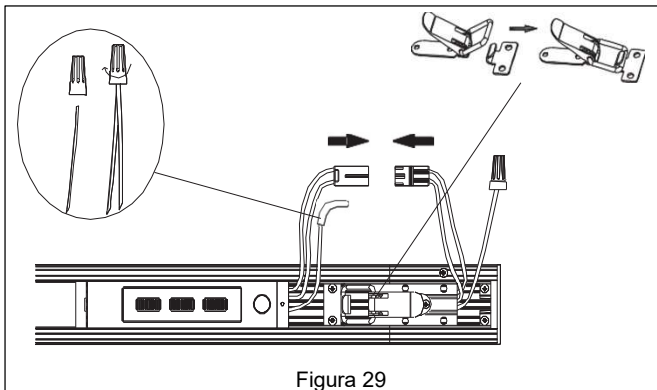
INSTRUCCIONES DE INSTALACIÓN



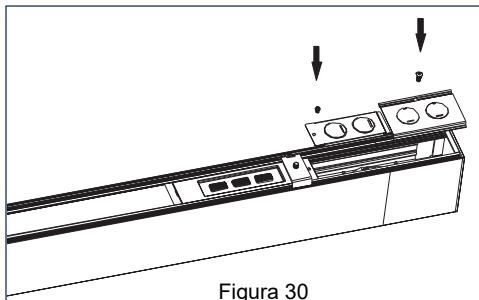
2. Desliza el soporte de empalme B en la pieza de localización y asegúrala con los tornillos incluidos. **Ver Figura 27.**



3. Desliza el soporte de empalme A en la pieza de localización de la lámpara y asegúralo con los tornillos incluidos. **Ver Figura 28.**



4. Conecta la lámpara y el módulo del sensor insertando el soporte de empalme A al soporte de empalme B, luego tira de la hebilla de bloqueo para asegurar las lámparas.
 5. Conecte los conectores de 2 pines desde el módulo de la lámpara y el sensor, luego conecta el cable de alimentación auxiliar con la tuerca incluida. **Ver Figura 29.**



6. Reinstala la cubierta superior a la lámpara y al módulo del sensor. **Ver Figura 30.**

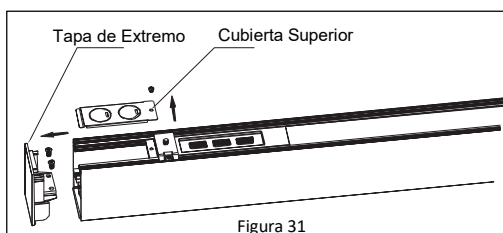
Item:	LSA-LCONN-W	LSA-LCONN-B
LSA4-50PCS-W	LSA-TCONN-W	LSA-TCONN-B
LSA4-50PCS-B	LSA-XCONN-W	LSA-XCONN-B
LSA4P-50PCS-W	LSA-CORD5-W	LSA-CORD5-B
LSA4P-50PCS-B	LSA-E2ECONN-W	LSA-E2ECONN-B
LSA4P-50PCS-EM-W	LSA-DWC-CNPY-W	LSA-DWC-CNPY-B
LSA4P-50PCS-EM-B	LSA-DC-CNPY-B	LSA-OS-PIT-BT-WH
LSA-DC-CNPY-W	LSA-SMKIT	LSA-RMKIT
LSA-OS-PIR-BT-BL		



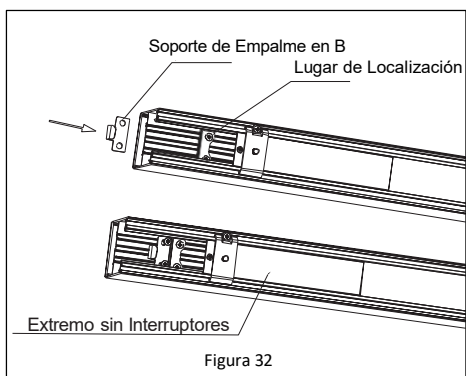
LÁMPARA TIPO TIRA LINEAL ARQUITECTÓNICA

INSTRUCCIONES DE INSTALACIÓN

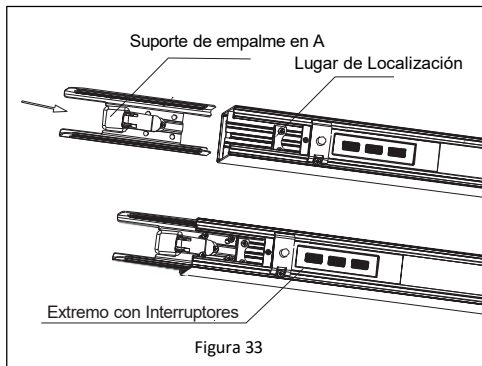
Cómo Conectar las Lámparas: Soporte de Empalme:



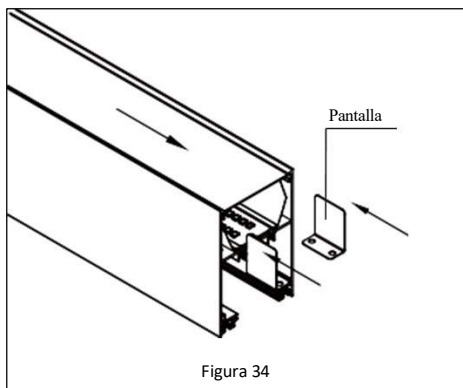
1. Retira la tapa del extremo y la cubierta superior de la lámpara. **Ver Figura 31.**



2. Desliza el soporte de empalme B en la pieza de localización y asegúrala con los tornillos incluidos. **Ver Figura 32.**



3. Desliza el soporte de empalme A en la pieza de localización de la otra lámpara y asegúralo con los tornillos incluidos. **Ver Figura 33.**



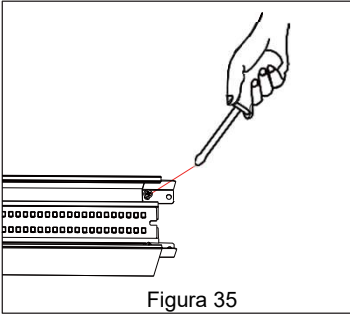
4. Coloca el deflector al perfil y retira la placa del difusor. Solo instala la mitad de cada deflector. **Ver Figura 34.**

Item:	LSA-LCONN-W	LSA-LCONN-B
LSA4-50PCS-W	LSA-TCONN-W	LSA-TCONN-B
LSA4-50PCS-B	LSA-XCONN-W	LSA-XCONN-B
LSA4P-50PCS-W	LSA-CORD5-W	LSA-CORD5-B
LSA4P-50PCS-B	LSA-E2ECONN-W	LSA-E2ECONN-B
LSA4P-50PCS-EM-W	LSA-DWC-CNPY-W	LSA-DWC-CNPY-B
LSA4P-50PCS-EM-B	LSA-DC-CNPY-B	LSA-OS-PIT-BT-WH
LSA-DC-CNPY-W	LSA-SMKIT	LSA-RMKIT
LSA-OS-PIR-BT-BL		

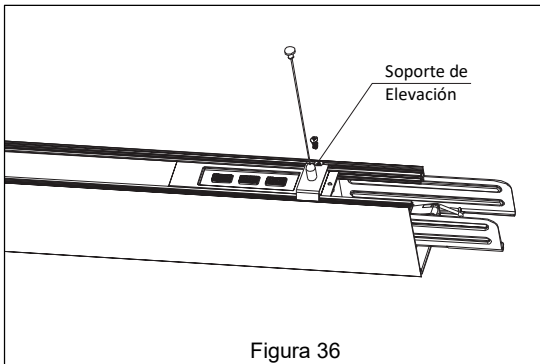


LÁMPARA TIPO TIRA LINEAL ARQUITECTÓNICA

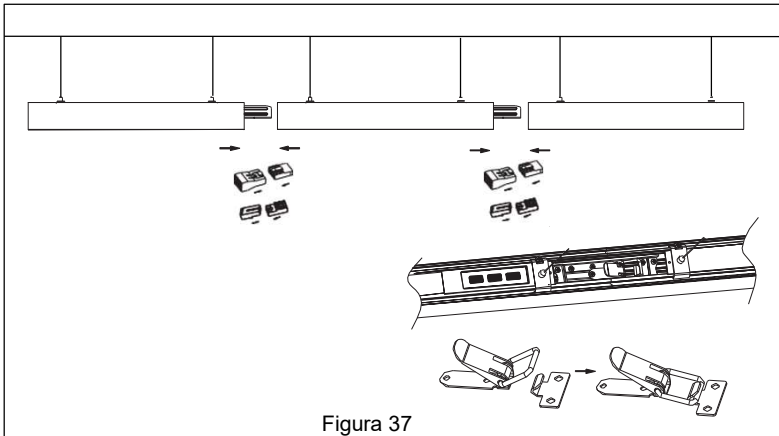
INSTRUCCIONES DE INSTALACIÓN



5. Aprieta el tornillo de cada deflector. **Ver Figura 35.**



6. Instala el soporte de elevación en la lámpara en una posición adecuada para suspender y conectar. **Ver Figura 36.**
7. Suspende la lámpara del techo, consulta las **Instrucciones de Montaje** para esta parte.



8. Conecta las dos lámparas insertando el soporte de empalme A al soporte de empalme B, luego tire de la hebilla de bloqueo para asegurar las lámparas.
9. Haz una conexión eléctrica entre las lámparas con conectores machos-hembras. **Ver Figura 37.**

Item:	LSA-LCONN-W	LSA-LCONN-B
LSA4-50PCS-W	LSA-TCONN-W	LSA-TCONN-B
LSA4-50PCS-B	LSA-XCONN-W	LSA-XCONN-B
LSA4P-50PCS-W	LSA-CORD5-W	LSA-CORD5-B
LSA4P-50PCS-B	LSA-E2ECONN-W	LSA-E2ECONN-B
LSA4P-50PCS-EM-W	LSA-DWC-CNPY-W	LSA-DWC-CNPY-B
LSA4P-50PCS-EM-B	LSA-DC-CNPY-B	LSA-OS-PIT-BT-WH
LSA-DC-CNPY-W	LSA-SMKIT	LSA-RMKIT
LSA-OS-PIR-BT-BL		



LÁMPARA TIPO TIRA LINEAL ARQUITECTÓNICA

INSTRUCCIONES DE INSTALACIÓN

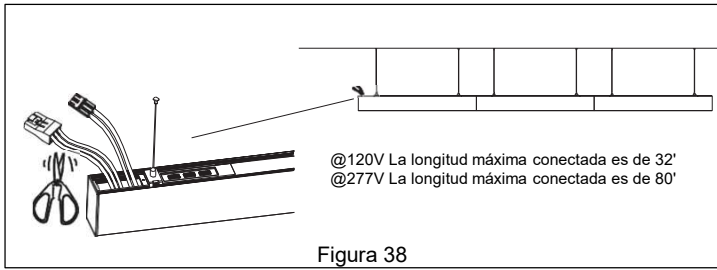


Figura 38

10. Corta los conectores en un extremo para el cableado al voltaje de la línea. **Ver Figura 38.**
11. Conecta los cables según el **Diagrama de Cableado.**

Conector en L:

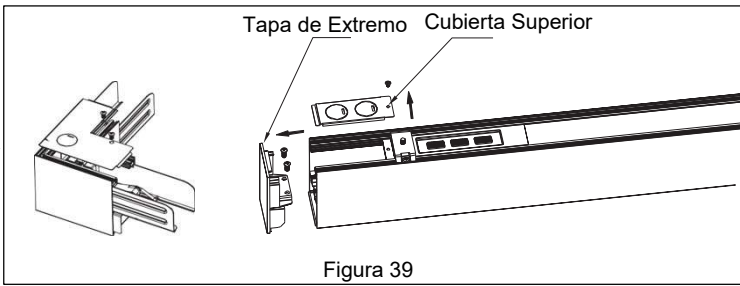


Figura 39

1. Retire la cubierta superior del conector en L y de la lámpara. Luego retira la tapa del extremo de la lámpara. **Ver Figura 39.**

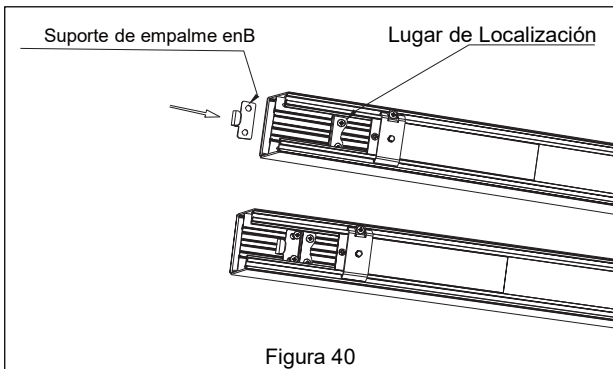


Figura 40

2. Desliza el soporte de empalme B en la pieza de localización y asegúrala con los tornillos. **Ver Figura 40.**

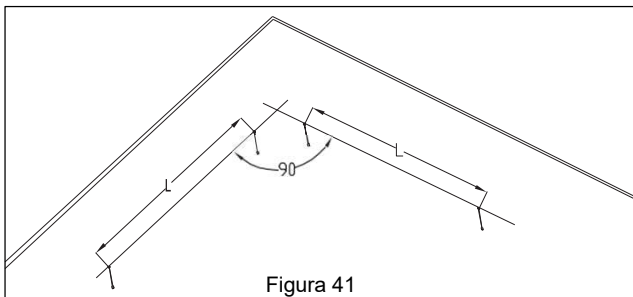


Figura 41

3. Haga las marcas de montaje en el techo para las lámparas, consulta las **Instrucciones de montaje** para instalar la lámpara. **Ver Figura 41.**

Item:
 LSA4-50PCS-W
 LAS4-50PCS-B
 LSA4P-50PCS-W
 LSA4P-50PCS-B
 LSA4P-50PCS-EM-W
 LSA4P-50PCS-EM-B
 LSA-DC-CNPY-W
 LSA-DC-CNPY-B
 LSA-OS-PIR-BT-BL

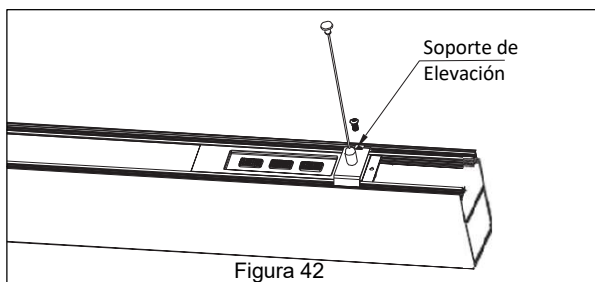
LSA-LCONN-W
 LSA-TCONN-W
 LSA-XCONN-W
 LSA-CORD5-W
 LSA-E2ECONN-W
 LSA-DWC-CNPY-W
 LSA-DC-CNPY-B
 LSA-SMKIT

LSA-LCONN-B
 LSA-TCONN-B
 LSA-XCONN-B
 LSA-CORD5-B
 LSA-E2ECONN-B
 LSA-DWC-CNPY-B
 LSA-OS-PIT-BT-WH
 LSA-RMKIT

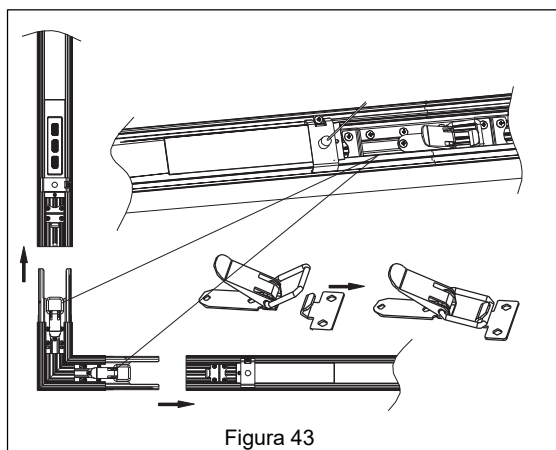


LÁMPARA TIPO TIRA LINEAL ARQUITECTÓNICA

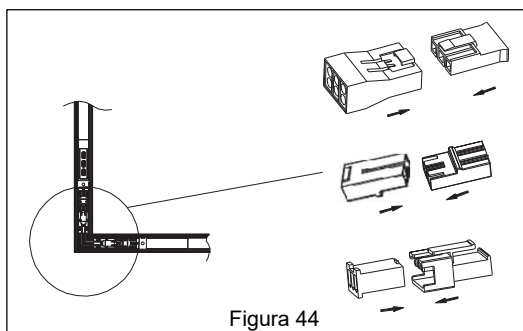
INSTRUCCIONES DE INSTALACIÓN



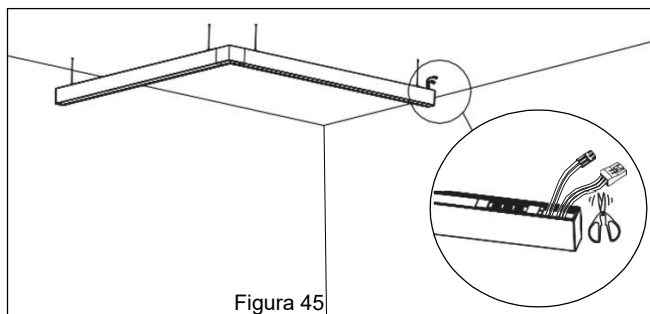
4. Ajusta el soporte de elevación en la lámpara a una posición adecuada para suspender y conectar. **Ver Figura 42.**



5. Inserta el conector en L en la lámpara y conecta el pestillo al soporte de empalme B, luego tira de la hebilla de bloqueo para asegurar las lámparas. **Ver Figura 43.**



6. Haz una conexión eléctrica con conectores machos-hembras. **Ver Figura 44.**



7. Corta los conectores en un extremo para el cableado al voltaje de la línea. **Ver Figura 45.**

Item:
 LSA4-50PCS-W
 LSA4-50PCS-B
 LSA4P-50PCS-W
 LSA4P-50PCS-B
 LSA4P-50PCS-EM-W
 LSA4P-50PCS-EM-B
 LSA-DC-CNPY-W
 LSA-DC-CNPY-B
 LSA-OS-PIR-BT-BL

LSA-LCONN-W
 LSA-TCONN-W
 LSA-XCONN-W
 LSA-CORD5-W
 LSA-E2ECONN-W
 LSA-DWC-CNPY-W
 LSA-DC-CNPY-B
 LSA-SMKIT

LSA-LCONN-B
 LSA-TCONN-B
 LSA-XCONN-B
 LSA-CORD5-B
 LSA-E2ECONN-B
 LSA-DWC-CNPY-B
 LSA-OS-PIT-BT-WH
 LSA-RMKIT



LÁMPARA TIPO TIRA LINEAL ARQUITECTÓNICA

INSTRUCCIONES DE INSTALACIÓN

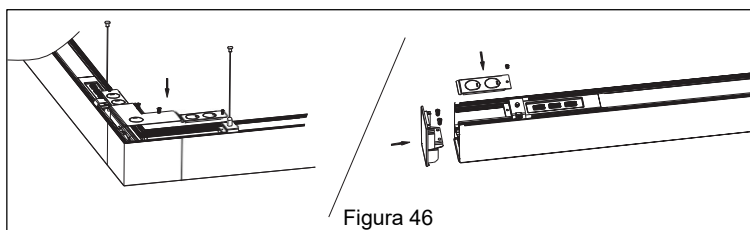


Figura 46

8. Reinstala la cubierta superior del conector en L y de la lámpara. **Ver Figura 46.**

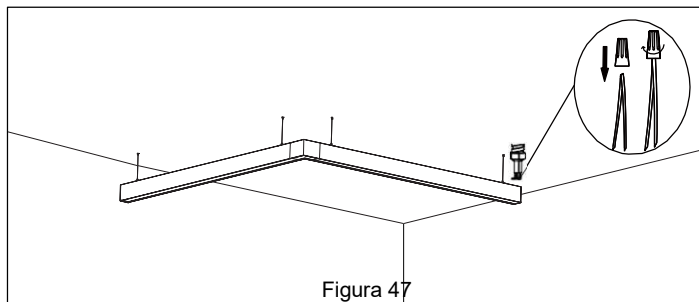


Figura 47

9. Abre la cubierta desde el extremo 1. Haz las conexiones del cableado según el **Diagrama de Cableado**. **Ver Figura 47.**

Conector en T:

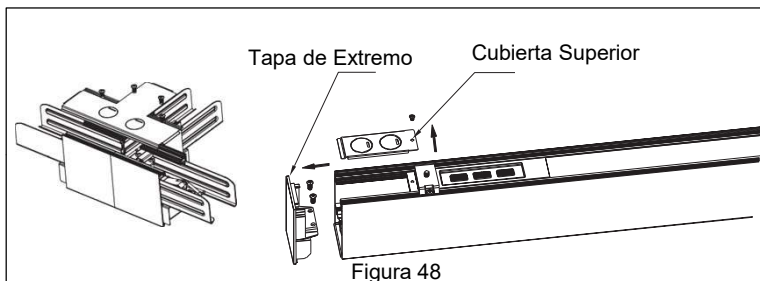


Figura 48

1. Retire la cubierta superior del conector en T y de las lámparas. Luego retira la tapa del extremo de cada lámpara. **Ver Figura 48.**

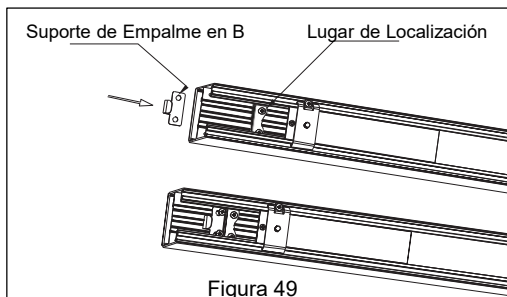


Figura 49

2. Desliza el soporte de empalme B en la pieza de localización en las lámparas, luego asegúralo con los tornillos incluidos. **Ver Figura 49.**

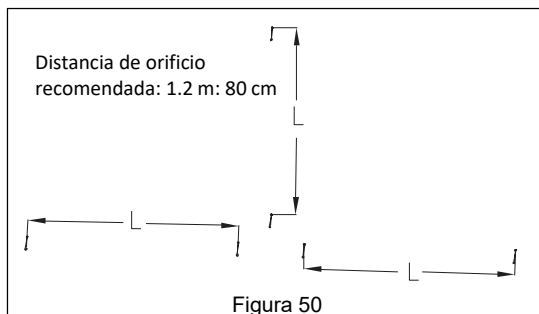


Figura 50

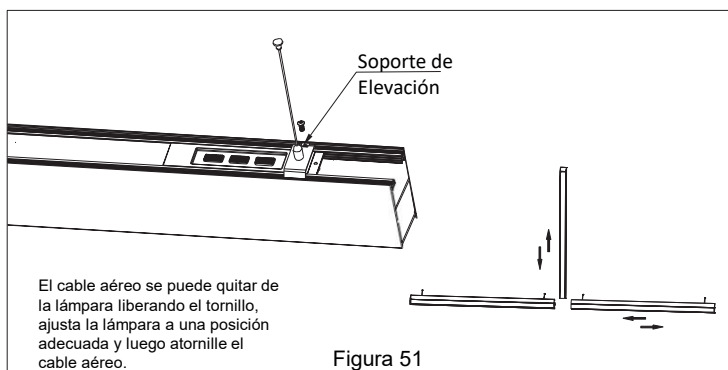
3. Haz las marcas de montaje en el techo para las lámparas, consulta las **Instrucciones de montaje** para suspender la lámpara. **Ver Figura 50.**

Item:
 LSA4-50PCS-W
 LSA4-50PCS-B
 LSA4P-50PCS-W
 LSA4P-50PCS-B
 LSA4P-50PCS-EM-W
 LSA4P-50PCS-EM-B
 LSA-DC-CNPY-W
 LSA-DC-CNPY-B
 LSA-OS-PIR-BT-BL
 LSA-LCONN-W
 LSA-TCONN-W
 LSA-XCONN-W
 LSA-CORD5-W
 LSA-E2ECONN-W
 LSA-DWC-CNPY-W
 LSA-DC-CNPY-B
 LSA-SMKIT
 LSA-LCONN-B
 LSA-TCONN-B
 LSA-XCONN-B
 LSA-CORD5-B
 LSA-E2ECONN-B
 LSA-DWC-CNPY-B
 LSA-OS-PIT-BT-WH
 LSA-RMKIT

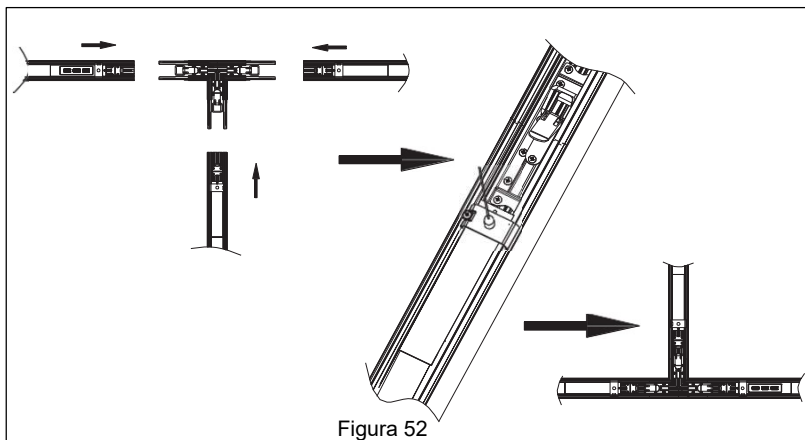


LÁMPARA TIPO TIRA LINEAL ARQUITECTÓNICA

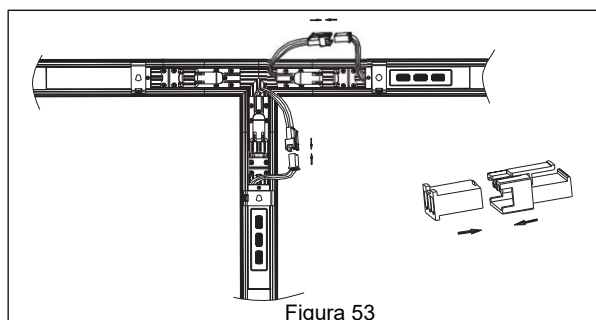
INSTRUCCIONES DE INSTALACIÓN



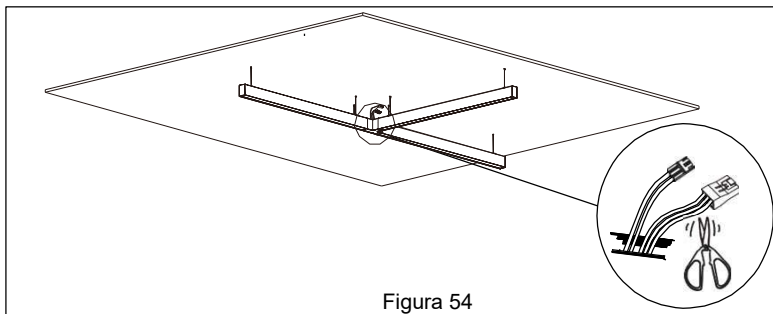
4. Ajusta el soporte de elevación en cada lámpara a una posición adecuada para suspender y conectar. **Ver Figura 51.**



5. Inserta el conector en T en las lámparas y tira de la hebilla de bloqueo para conectar las lámparas. **Ver Figura 52.**



6. Haz una conexión eléctrica entre las lámparas y conectores machos-hembras. **Ver Figura 53.**



7. Abre una cubierta desde el extremo 1 y corta los conectores en uno de los extremos para el cableado a voltaje de línea. Haz las conexiones del cableado según el **Diagrama de cableado**. **Ver Figura 54.**

Item:
 LSA4-50PCS-W
 LSA4-50PCS-B
 LSA4P-50PCS-W
 LSA4P-50PCS-B
 LSA4P-50PCS-EM-W
 LSA4P-50PCS-EM-B
 LSA-DC-CNPY-W
 LSA-DC-CNPY-B
 LSA-OS-PIR-BT-BL

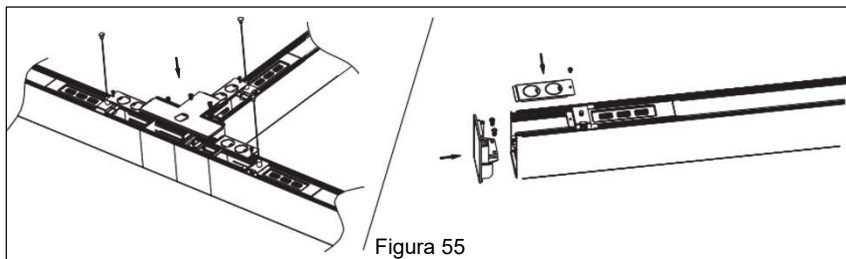
LSA-LCONN-W
 LSA-TCONN-W
 LSA-XCONN-W
 LSA-CORD5-W
 LSA-E2ECONN-W
 LSA-DWC-CNPY-W
 LSA-DC-CNPY-B
 LSA-SMKIT

LSA-LCONN-B
 LSA-TCONN-B
 LSA-XCONN-B
 LSA-CORD5-B
 LSA-E2ECONN-B
 LSA-DWC-CNPY-B
 LSA-OS-PIT-BT-WH
 LSA-RMKIT



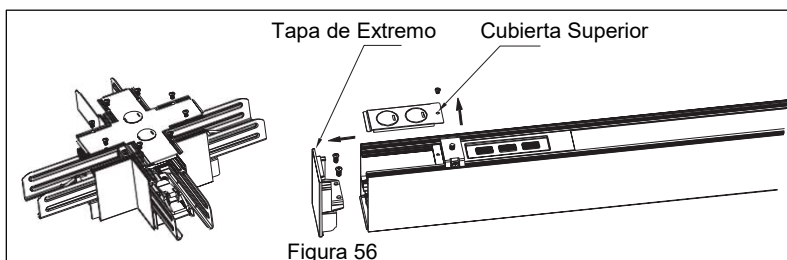
LÁMPARA TIPO TIRA LINEAL ARQUITECTÓNICA

INSTRUCCIONES DE INSTALACIÓN

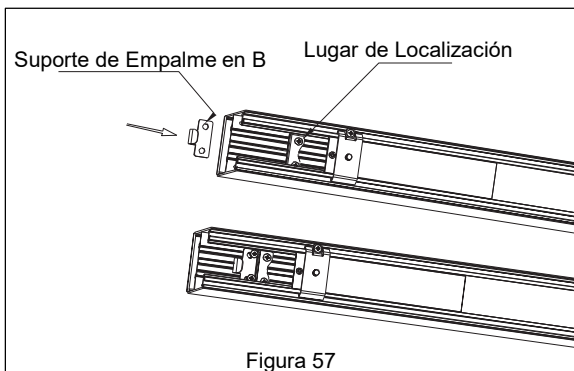


8. Reinstala la cubierta superior del conector en T y de las lámparas. **Ver Figura 55.**

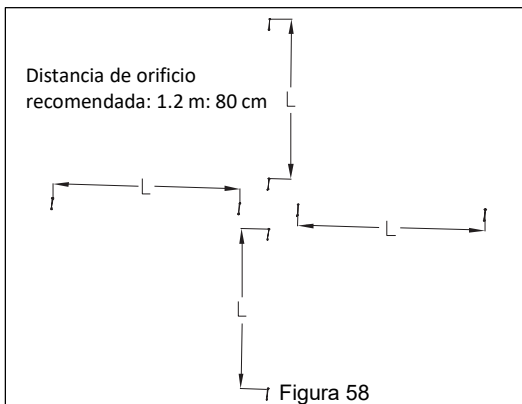
Conector en X:



1. Retire la cubierta superior del conector en X y de la lámpara. Luego retira la tapa del extremo de la lámpara. **Ver Figura 56.**



2. Desliza el soporte de empalme B en la pieza de localización, luego asegúralo con los tornillos incluidos. **Ver Figura 57.**



3. Haz las marcas de montaje en el techo para las lámparas, consulta las **Instrucciones de montaje** para suspender la lámpara. **Ver Figura 58.**

Item:
 LSA4-50PCS-W
 LSA4-50PCS-B
 LSA4P-50PCS-W
 LSA4P-50PCS-B
 LSA4P-50PCS-EM-W
 LSA4P-50PCS-EM-B
 LSA-DC-CNPY-W
 LSA-DC-CNPY-B
 LSA-OS-PIR-BT-BL

LSA-LCONN-W
 LSA-TCONN-W
 LSA-XCONN-W
 LSA-CORD5-W
 LSA-E2ECONN-W
 LSA-DWC-CNPY-W
 LSA-DC-CNPY-B
 LSA-SMKIT

LSA-LCONN-B
 LSA-TCONN-B
 LSA-XCONN-B
 LSA-CORD5-B
 LSA-E2ECONN-B
 LSA-DWC-CNPY-B
 LSA-OS-PIT-BT-WH
 LSA-RMKIT



LÁMPARA TIPO TIRA LINEAL ARQUITECTÓNICA

INSTRUCCIONES DE INSTALACIÓN

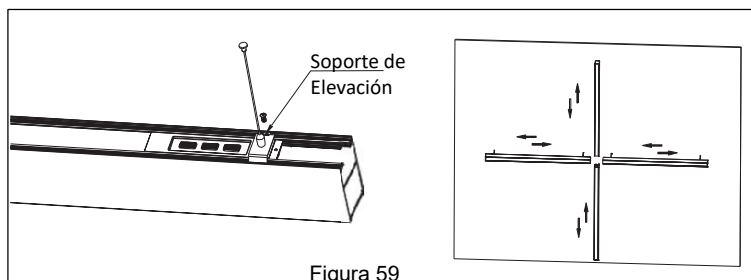


Figura 59

4. Ajusta el soporte de elevación en la lámpara en una posición adecuada para suspender y conectar. **Ver Figura 59.**

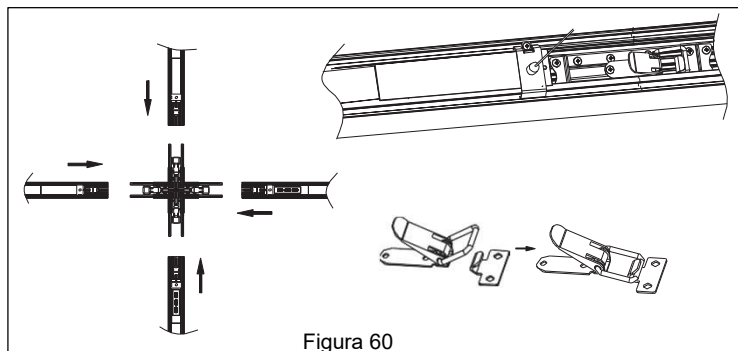


Figura 60

5. Inserta el conector en X en las lámparas y tira de la hebilla de bloqueo para conectar las lámparas. **Ver Figura 60.**

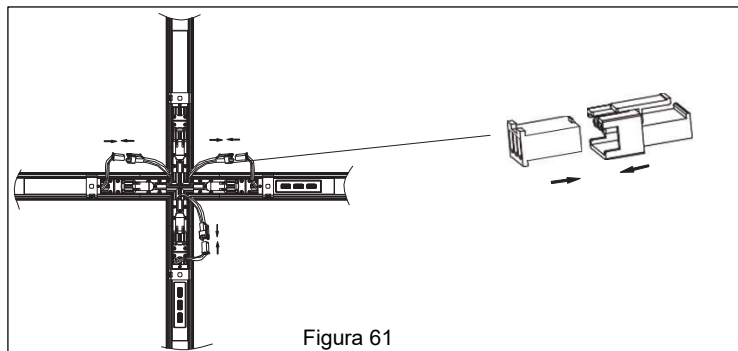


Figura 61

6. Haz una conexión eléctrica entre las lámparas y conector en X con conectores machos-hembras. **Ver Figura 61.**

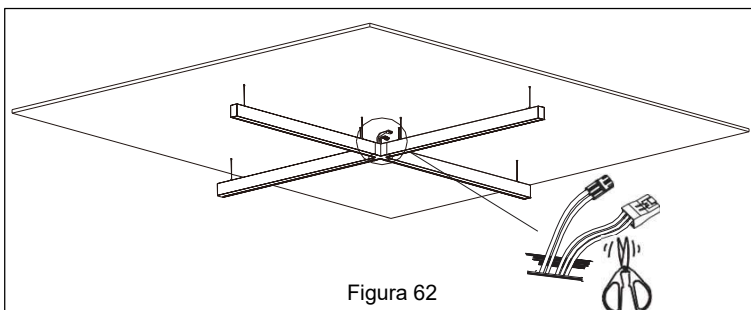


Figura 62

7. Corta los conectores en un extremo para el cableado a voltaje de línea. Haz las conexiones del cableado según el **Diagrama de cableado. Ver Figura 62.**

Item:
 LSA4-50PCS-W
 LAS4-50PCS-B
 LSA4P-50PCS-W
 LSA4P-50PCS-B
 LSA4P-50PCS-EM-W
 LSA4P-50PCS-EM-B
 LSA-DC-CNPY-W
 LSA-OS-PIR-BT-BL

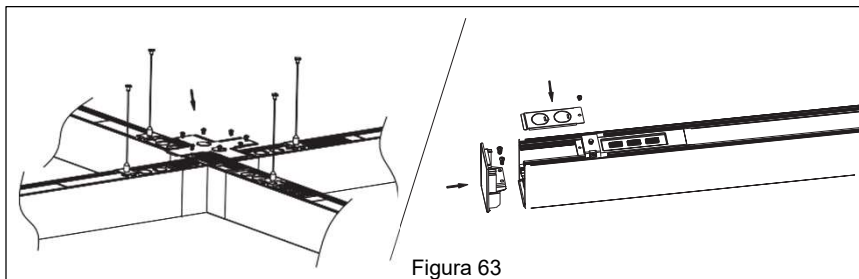
LSA-LCONN-W
 LSA-TCONN-W
 LSA-XCONN-W
 LSA-CORD5-W
 LSA-E2ECONN-W
 LSA-DWC-CNPY-W
 LSA-DC-CNPY-B
 LSA-SMKIT

LSA-LCONN-B
 LSA-TCONN-B
 LSA-XCONN-B
 LSA-CORD5-B
 LSA-E2ECONN-B
 LSA-DWC-CNPY-B
 LSA-OS-PIT-BT-WH
 LSA-RMKIT



LÁMPARA TIPO TIRA LINEAL ARQUITECTÓNICA

INSTRUCCIONES DE INSTALACIÓN



8. Reinstala la cubierta superior del conector en X y de la lámpara. **Ver Figura 63.**
9. Instalación completa.

****NOTE: THESE INSTRUCTIONS DO NOT ADDRESS ALL PERMUTATIONS THAT MAY EXIST IN INSTALLATION, MAINTENANCE, AND OPERATING ENVIRONMENT.**

****REMARQUE : CES INSTRUCTIONS NE TRAITENT PAS DE TOUTES LES PERMUTATIONS QUI PEUVENT EXISTER DANS L'INSTALLATION, LA MAINTENANCE ET L'ENVIRONNEMENT D'EXPLOITATION.**

****NOTA: ESTAS INSTRUCCIONES NO ABORDAN TODAS LAS PERMUTACIONES QUE PUEDEN EXISTIR EN EL ENTORNO DE INSTALACIÓN, MANTENIMIENTO Y OPERACIÓN.**

800-666-2852 | SOUTHWIRE.COM

©2024 Southwire Company, LLC. All rights reserved.*Registered Trademark & ™Trademark of Southwire Company, LLC.