

Item:

LVT2-20-CS	LVT4-40-40K	LVT4-40-50K
LVT4-50PCS	LVT4-50PCS-EM	LVT4-50PCS-EMS
LVT4-50PCS-MS	LVT8-70PCS	LVT8-70PCS-EM
LVT8-70PCS-MS	LVT-ANGL-MNT	LVT-JBOX-MNT
F-LED-CABLE 2PK		



LED LINEAR VAPOR TIGHT INSTALLATION INSTRUCTIONS

READ AND FOLLOW ALL SAFETY INSTRUCTIONS!



WARNING

- Make all electrical and ground connections in accordance with local codes or the National Electrical Code. If you are not familiar with these codes and requirements, consult a qualified electrician. This Professional should be familiar with the construction and operation of this product and hazards involved. Failure to do so may result in serious personal injury.
- To reduce the risk of fire, electric shock, personal injury, or property damage, please read and follow all safety instructions. If you do not understand these instructions or if any additional information is required, contact your local Topaz representative. Retain these instructions for maintenance reference.
- Do not exceed the allowed supply voltage marked on the luminaire label information.
- Disconnect power at the circuit breaker panel before any installation.



CAUTION

- Do not expose wire to any sharp objects such as sheet metal to prevent wiring damage or abrasion.
- While the light is on, please avoid direct eye exposure.
- Combustible material should be kept away from fixture/LENS.
- Do not make or alter any open holes in any enclosure or any electrical component during installation.
- Do not use when the enclosure is damaged or broken in any way.
- Do not alter, relocate or remove wiring, lamp holder power supply or any other electrical component.
- Pursuant to NEC 410.69, "Effective January 1, 2022, where control conductors are spliced, terminated, or connected in the same luminaire or enclosure as the branch-circuit conductors, the field-connected control conductor shall not be of a color reserved for the grounded branch circuit conductor or the equipment grounding conductor." And NEC 200.6(A)(2), "An insulated grounded conductor of 6 AWG or smaller shall be identified by one of the following means: (2) The insulated conductor shall have a continuous gray outer finish." For this reason, Topaz® will be transitioning from using Purple and Gray dimming wires, to Purple and Pink dimming wires.

Item:

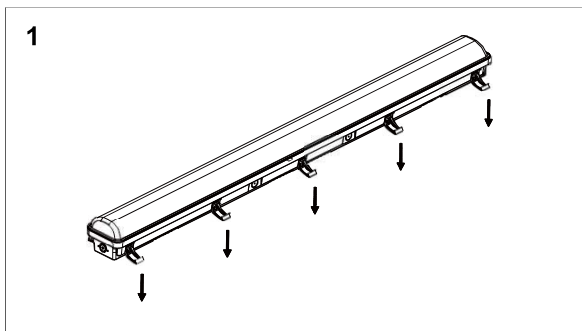
LVT2-20-CS LVT4-40-40K LVT4-40-50K
 LVT4-50PCS LVT4-50PCS-EM LVT4-50PCS-EMS
 LVT4-50PCS-MS LVT8-70PCS LVT8-70PCS-EM
 LVT8-70PCS-MS LVT-ANGL-MNT LVT-JBOX-MNT
 F-LED-CABLE 2PK



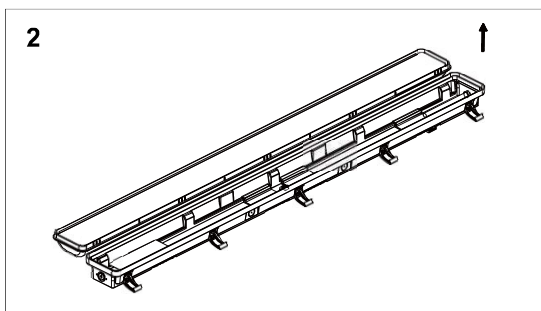
LED LINEAR VAPOR TIGHT INSTALLATION INSTRUCTIONS

Model	Input Voltage	Frequency	Wattage	Rated Current 120V	Rated Current 277V
LVT2-20-CS	120-277V	50/60Hz	20W	0.183A	0.079A
LVT4-40-xxK	120-277V	50/60Hz	40W	0.367A	0.159A
LVT4-50PCS LVT4-50PCS-EM LVT4-50PCS-MS LVT4-50PCS-EMS	120-277V	50/60Hz	30W	0.275A	0.119A
			40W	0.367A	0.159A
			50W	0.458A	0.199A
LVT8-70PCS LVT8-70PCS-EM LVT8-70PCS-MS	120-277V	50/60Hz	50W	0.458A	0.199A
			60W	0.55A	0.238A
			70W	0.642A	0.278A

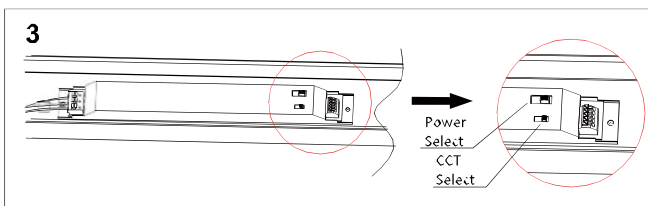
Installation Instructions:



1. Turn off AC power at the circuit breaker before doing any electrical work.
2. Open all of the latches by pushing them up and unhooking the latch from the lens. **See Figure 1.**



3. Remove the lens to expose the wiring compartment. **See Figure 2.**



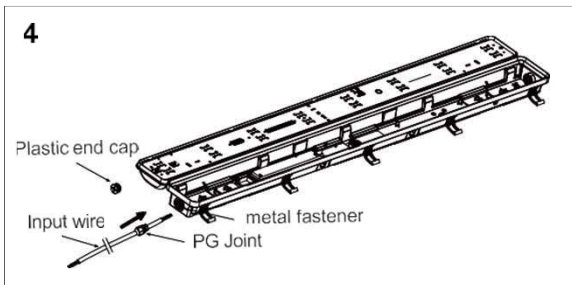
4. If applicable, choose the desired Wattage and CCT using switches the on the driver to best suit the application for which the fixture is installed. **See Figure 3.**

Item:

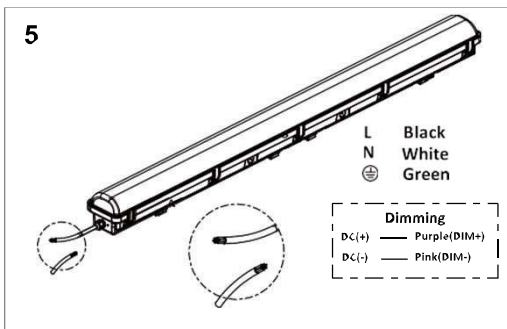
- LVT2-20-CS LVT4-40-40K LVT4-40-50K
- LVT4-50PCS LVT4-50PCS-EM LVT4-50PCS-EMS
- LVT4-50PCS-MS LVT8-70PCS LVT8-70PCS-EM
- LVT8-70PCS-MS LVT-ANGL-MNT LVT-JBOX-MNT
- F-LED-CABLE 2PK



LED LINEAR VAPOR TIGHT INSTALLATION INSTRUCTIONS



5. Loosen the plastic end cap with a screwdriver, take out the input wire from accessory bag, and then pass it through the metal fastener. Tighten the PG joint and connect the input wire to the corresponding terminal. **See Figure 4.**
6. Secure Lens to Housing by clamping Latch down. Be careful not to pinch the wires. Check that the Gasket is fully seated before closing.

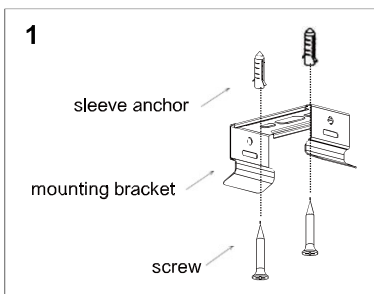


7. Connect the electric supply and the AC input wires of the fixture according to the following wiring instructions. **See Figure 5.**
- WARNING:** To prevent wiring damage or abrasion, do not expose wiring to edges of sharp objects.
8. Select the appropriate mounting method according to the use environment (step 5 can be adjusted according to the specific application and installation method).

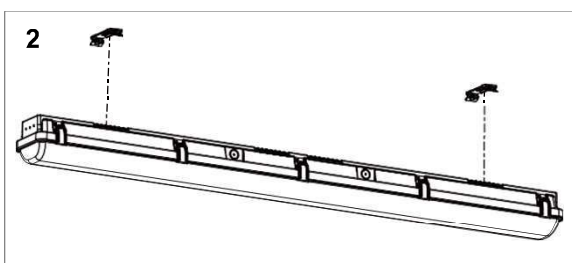
A. Surface-mounted Installation

Parts List

- ← mounting bracket*2
- ← sleeve anchor*4
- ← self-tapping screws*4



1. Drill holes in the ceiling and tap the sleeve anchors in.
2. Install mounting bracket to the sleeve anchors on the ceiling using the supplied self-tapping screws. **See Figure 1.**



3. Push the fixture into the mounting clips once they are secured to the ceiling. **See Figure 2.**
4. Turn on power.

Item:

LVT2-20-CS

LVT4-50PCS

LVT4-50PCS-MS

LVT8-70PCS-MS

F-LED-CABLE 2PK

LVT4-40-40K

LVT4-50PCS-EM

LVT8-70PCS

LVT-ANGL-MNT

LVT4-40-50K

LVT4-50PCS-EMS

LVT8-70PCS-EM

LVT-JBOX-MNT

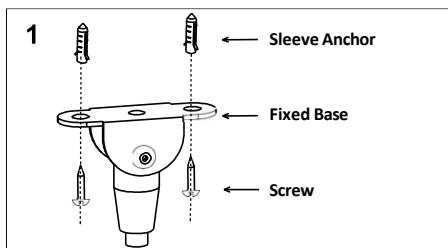


LED LINEAR VAPOR TIGHT INSTALLATION INSTRUCTIONS

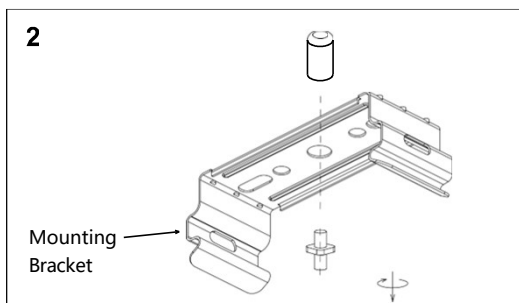
B. Suspended Installation Power and Color Select (sold separately)

Parts List

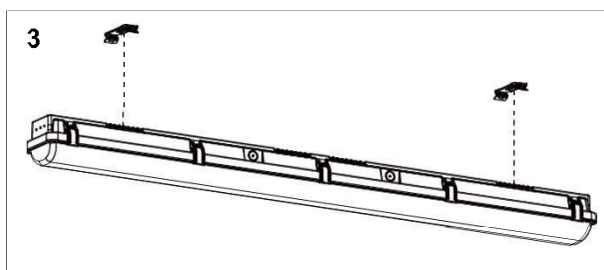
- ← Sleeve Anchor*4
- ← Self-Tapping Screws*4
- ← Mounting Bracket*2
- ← Wire Rope*2 (sold separately)



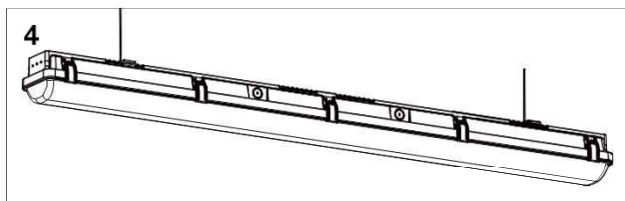
1. Drill 2 holes for each wire rope in the ceiling and install a sleeve anchor in each hole.
2. Secure the wire rope to the anchors installed into the ceiling using the supplied self-tapping screws. **See Figure 1.**



3. Hang the mounting clip to the hook of the suspension cable. **See Figure 2.**



4. Push the fixture into the hanging mounting clips. **See Figure 3 and Figure 4.**
5. Turn on power.



Item:

LVT2-20-CS

LVT4-40-40K

LVT4-40-50K

LVT4-50PCS

LVT4-50PCS-EM

LVT4-50PCS-EMS

LVT4-50PCS-MS

LVT8-70PCS

LVT8-70PCS-EM

LVT8-70PCS-MS

LVT-ANGL-MNT

LVT-JBOX-MNT

F-LED-CABLE 2PK



LED LINEAR VAPOR TIGHT INSTALLATION INSTRUCTIONS

C. Mounting with Corner Bracket (sold separately)

Parts List

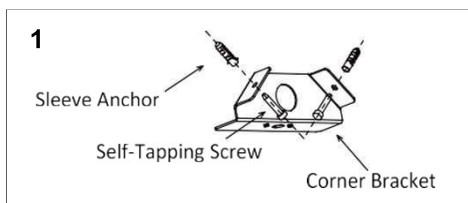
Mounting Bracket*2

Sleeve Anchor*4

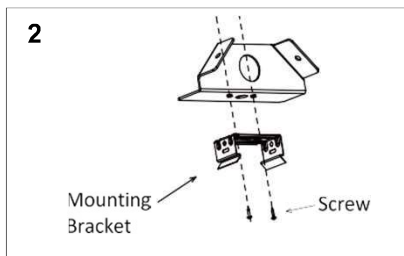
Self-Tapping Screws*4

Screws*4 (sold separately)

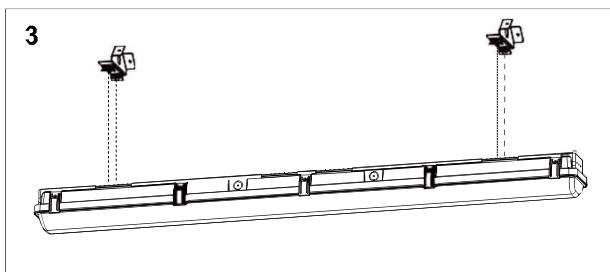
Corner Bracket*2 (sold separately)



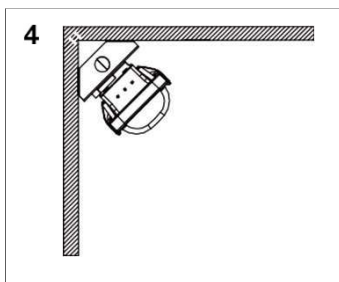
1. Drill holes in the wall, use screws and sleeve anchors to secure the corner bracket to wall. **See Figure 1.**



2. Use the screws to secure the mounting bracket to the corner bracket. **See Figure 2.**



3. Attach the fixture to the mounting brackets by pushing the fixture up to the mounting brackets until the mounting brackets snap into place. **See Figure 3.**



4. Turn on the lights after installation. **See Figure 4.**

Item:

LVT2-20-CS

LVT4-40-40K

LVT4-40-50K

LVT4-50PCS

LVT4-50PCS-EM

LVT4-50PCS-EMS

LVT4-50PCS-MS

LVT8-70PCS

LVT8-70PCS-EM

LVT8-70PCS-MS

LVT-ANGL-MNT

LVT-JBOX-MNT

F-LED-CABLE 2PK

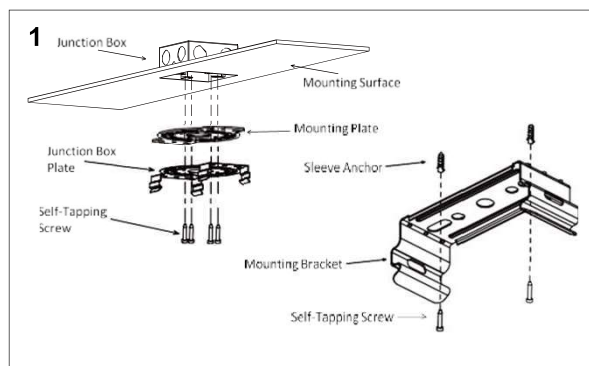


LED LINEAR VAPOR TIGHT INSTALLATION INSTRUCTIONS

D. Mounting with Junction-box(sold separately)

Parts List

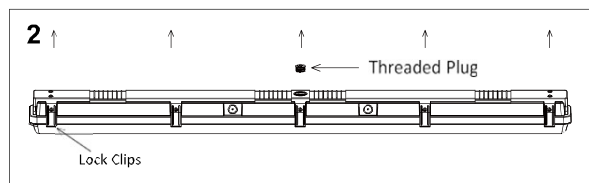
- ← Mounting Plate (sold separately)
- ← EV pad (sold separately)
- ← Sleeve Anchor*4
- ← Self-Tapping Screws*4
- ← Single CCT Junction Box Plate (sold separately)
- ← PCTS Junction Box Plate (sold separately)
- ← Self-Tapping Screws*4 (sold separately)
- ← Mounting Bracket*2



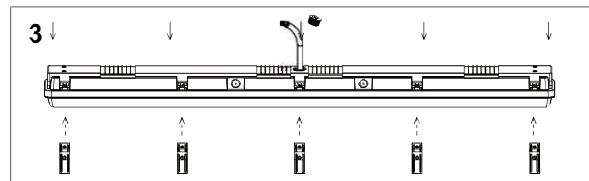
1. Use screws to fix the mounting plate and junction-box plate to the junction box. **See Figure 1**

Note: Choose the proper Junction Box Plate for your fixture (Single CCT or PCTS). See Part List.

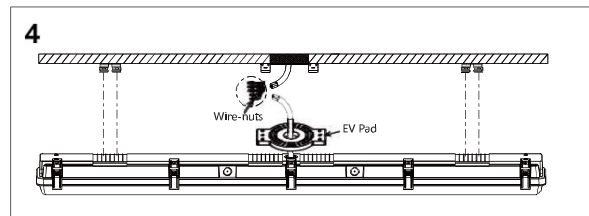
2. Drill holes in the wall/ceiling between 30.5" and 36.5" apart, install mounting clips to wall with screws and plastic sleeve anchors. **See Figure 1.**



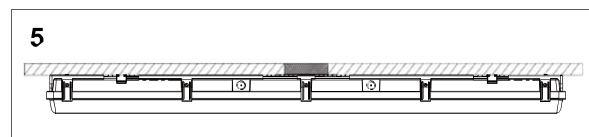
3. Open the lock clips and center cap with screwdriver. **See Figure 2.**



4. Take out the input wire from fixture, then secure the lock clips back. **See Figure 3.**



5. Pass the input wires through EV Pad as shown in the figure, then connect the input wires to supply wires in the junction box with wire nuts as per wiring diagram. then clamp the fixture on the mounting bracket, get the EV pad and the junction box plate are completely coincident. **See Figure 4.**



6. Turn on the lights after installation. **See Figure 5.**

Item:

LVT2-20-CS

LVT4-40-40K

LVT4-40-50K

LVT4-50PCS

LVT4-50PCS-EM

LVT4-50PCS-EMS

LVT4-50PCS-MS

LVT8-70PCS

LVT8-70PCS-EM

LVT8-70PCS-MS

LVT-ANGL-MNT

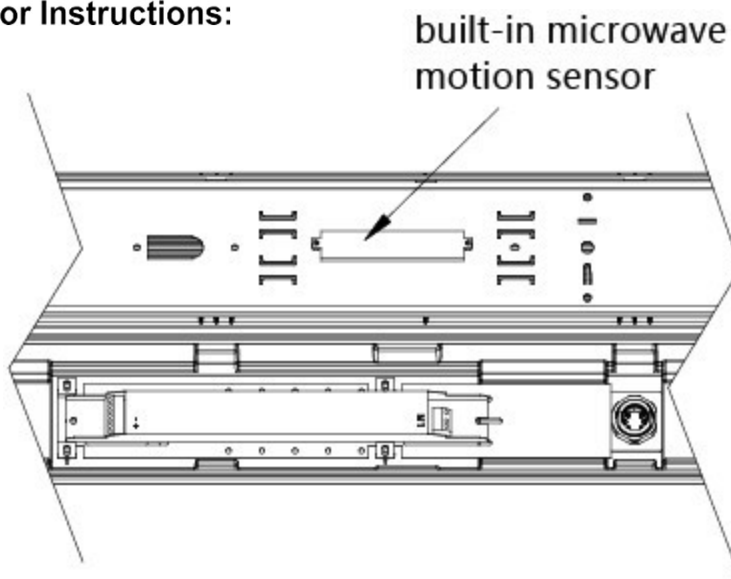
LVT-JBOX-MNT

F-LED-CABLE 2PK

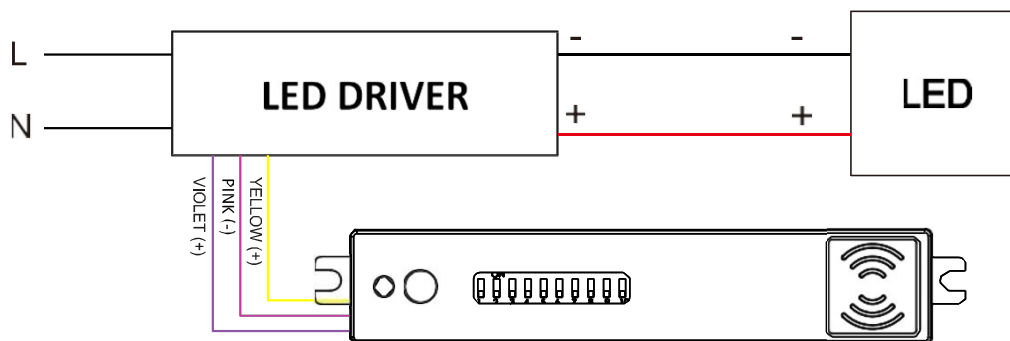


LED LINEAR VAPOR TIGHT INSTALLATION INSTRUCTIONS

Motion Sensor Instructions:



Motion Sensor Wiring Diagram:



****Note: Motion sensor models cannot be connected to a dimmer.**

Factory Settings of Motion Sensor:

- Sensitivity: 100%
- Hold Time: 10 minutes
- Daylight Sensor: Disabled
- Stand-By Level: 10%
- Stand-By Hold Time: ∞

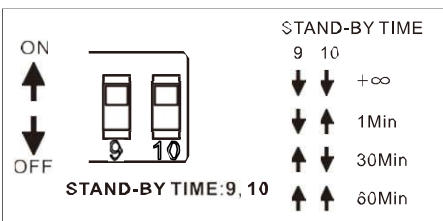
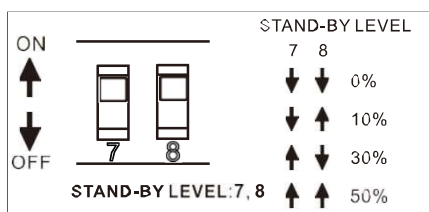
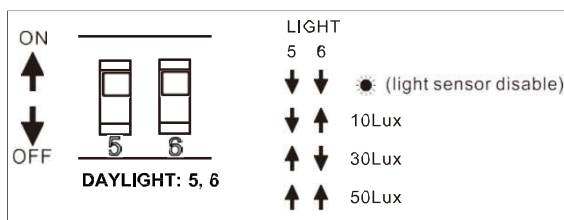
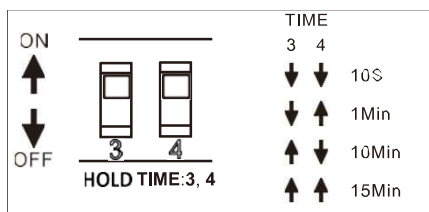
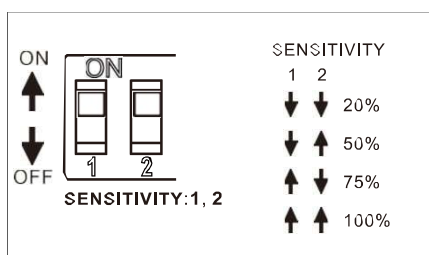
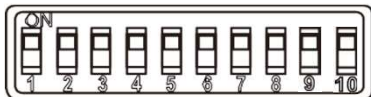
Item:

LVT2-20-CS LVT4-40-40K LVT4-40-50K
 LVT4-50PCS LVT4-50PCS-EM LVT4-50PCS-EMS
 LVT4-50PCS-MS LVT8-70PCS LVT8-70PCS-EM
 LVT8-70PCS-MS LVT-ANGL-MNT LVT-JBOX-MNT
 F-LED-CABLE 2PK



LED LINEAR VAPOR TIGHT INSTALLATION INSTRUCTIONS

Motion Sensor Parameter Setting:



1. Locate the microwave sensor shown on the previous page. Remove the from the mount by removing 1 screw and sliding the sensor out.
2. On the front of the sensor, you will find switches to set the parameters for the environment.
 - Switches 1&2 control Sensitivity.
 - Switches 3&4 control Hold Time.
 - Switches 5&6 control the Daylight threshold.
 - Switches 7&8 control Stand-by Light Level.
 - Switches 9&10 control Stand-by Time.
3. Switches 1 and 2 control the sensitivity. This setting controls the detection range. Follow the diagram to set the sensitivity needed for the environment.
4. Switches 3 and 4 control the Hold Time. This setting controls how long the fixture will stay illuminated after sensing motion. Follow the diagram to set the Hold Time.
5. Switches 5 and 6 control the Daylight threshold. This setting controls the maximum amount of daylight that will allow the fixture to illuminate. Follow the diagram to set the Daylight threshold.
6. Switches 7 and 8 control the Stand-By Level. This setting controls the amount of light that will remain after the Hold Time has expired. Follow the diagram to set the Stand-By Level.
7. Switches 9 and 10 control the Stand-By Time. This setting controls the amount of time the fixture will stay on at the Stand-By Level. Follow the diagram to set the Stand-By Time.
8. Once the Parameters are set, reinstall the sensor into the fixture. Close the fixture and turn on power.

Item:

LVT2-20-CS

LVT4-40-40K

LVT4-40-50K

LVT4-50PCS

LVT4-50PCS-EM

LVT4-50PCS-EMS

LVT4-50PCS-MS

LVT8-70PCS

LVT8-70PCS-EM

LVT8-70PCS-MS

LVT-ANGL-MNT

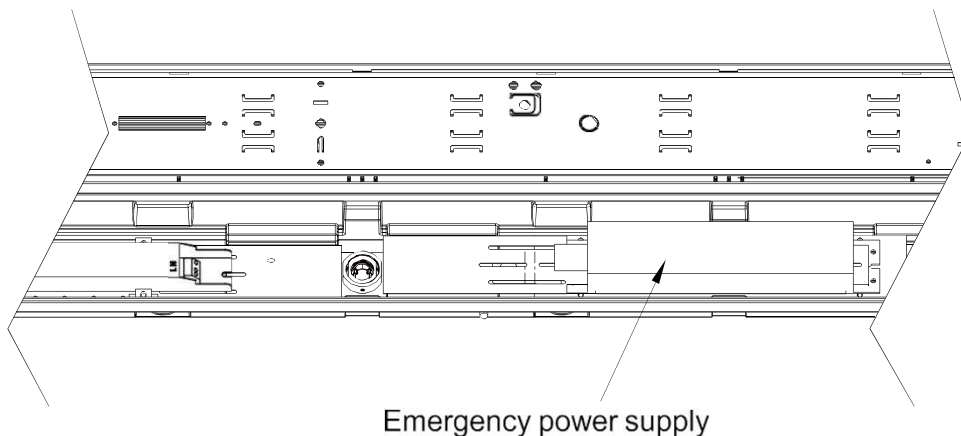
LVT-JBOX-MNT

F-LED-CABLE 2PK

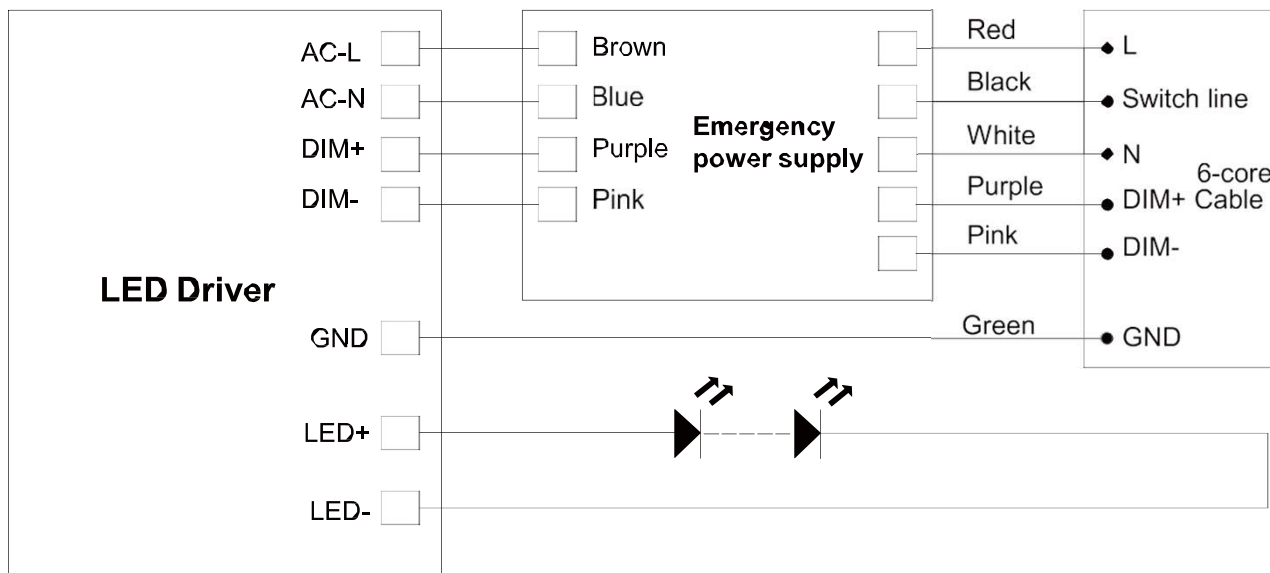


LED LINEAR VAPOR TIGHT INSTALLATION INSTRUCTIONS

Emergency Driver Installation:



Wiring diagram



****NOTE: THESE INSTRUCTIONS DO NOT ADDRESS ALL PERMUTATIONS THAT MAY EXIST IN INSTALLATION, MAINTENANCE, AND OPERATING ENVIRONMENT.**