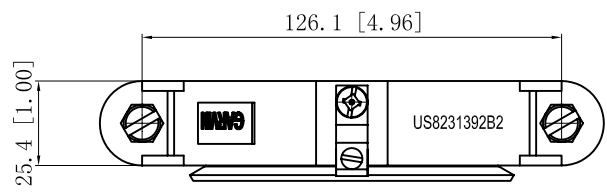
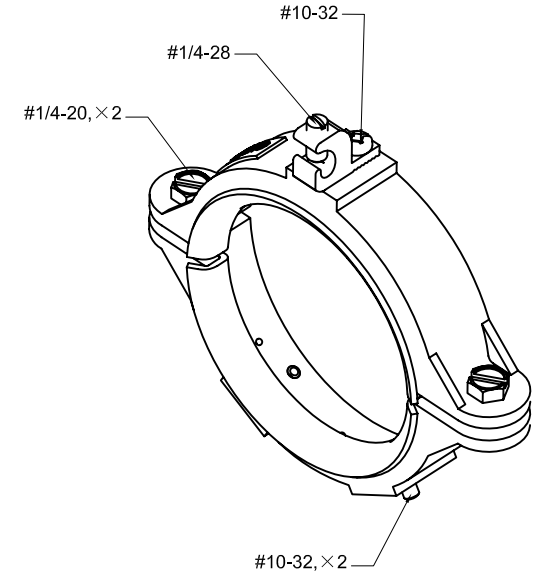
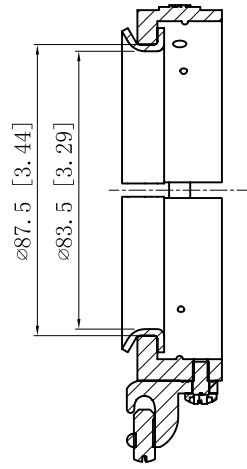
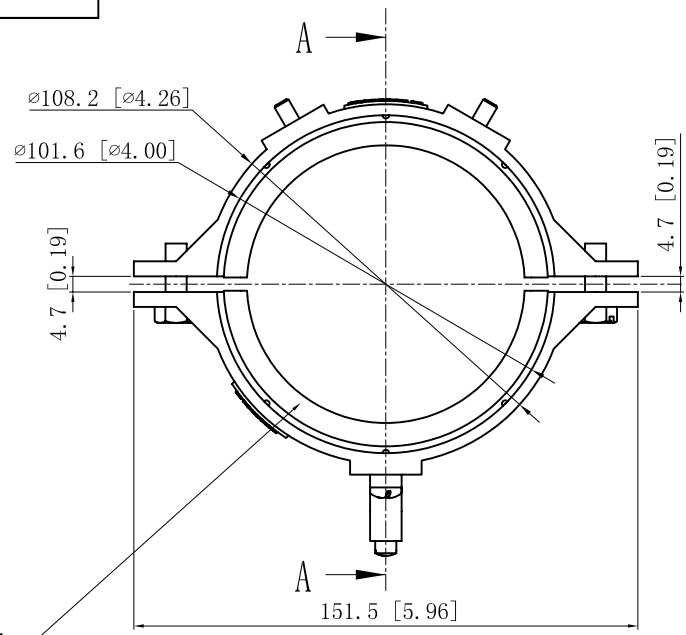
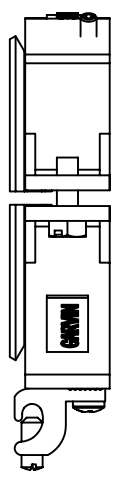


SIDES	BOTTOM
1 PCS 10-32×3/8 Screws Installed	
1 PCS 1/4-28×5/8 Screws Installed	
2 PCS 1/4-20×3/4 Screws Installed	
2 PCS #10-32×1/2 Set Screws Installed	
Material: Zamak-ZAMAK 3	



RUBBER CAN'T REMOVE

CUTAWAY VIEW A-A

This data sheet is for reference only .GARVIN INDUSTRIES reserves the right to make changes to the design without prior notice.

DESCRIPTION
Patent Pending: US8231392B2
TRADE REFERENCE TERMS

STANDARD PACKING
10 PCS

TITLE			GROUND CHOKE		
SIZE	DWG NO.				REV
A4	SGB350				
DATA SHEET					