

## LED Recessed Downlights

### DESIGNER - GIMBAL TRIM



### Superior Color Rendering

Topaz delivers with our designer series, easy-to-install, 90 CRI recessed downlights. Perfect for retrofit or new construction applications, these gimbal downlights boast exceptional lumen per watt efficacy and are available in 4" and 6" options. Our versatile 6" model can also be used in 5" recessed housing applications. Dimmable down to 5% of maximum lumen output, our downlights work seamlessly with most leading-edge dimmer technology.

### FEATURES

- ENERGY STAR® Certified
- 4000K models support California Title 20 and 24, part 6 requirements for high efficacy LED light sources
- CRI of 90 provides exceptional color rendering
- For use in insulated or non-insulated ceilings
- Airtight certified per ASTM E283
- Quick connects for easy installation
- 50,000 hour life (L70)
- 4" replaces 50W Halogen; 6" replaces 65W Halogen
- Dimmable to 5% on most LED dimmers<sup>1</sup>
- Light can be rotated 22° vertically and 355° horizontally

### SUGGESTED APPLICATIONS

- Retrofit and new construction
- Residential and multi-family
- Hospitality
- Office lighting

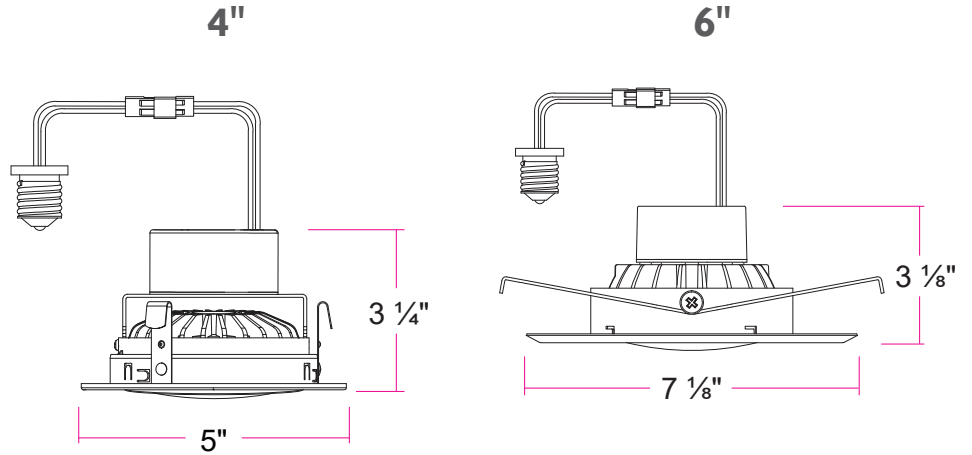


E467698

## LED Recessed Downlights Designer - Gimbal Trim

### GENERAL SPECIFICATIONS

**Input Voltage:** 120V, 50/60Hz  
**Functional Life (L70):** 50,000 Hours  
**CRI:** 90  
**Base:** E26  
**Ambient Operating Temp:** -4°F to 113°F  
**Finish:** White  
**Dimmable:** to 5%  
**Location Rating:** Damp  
**Power Factor:** >0.9



### SPECIFICATIONS / ORDER INFO

Catalog Number	Order Code	UPC	Size	Wattage	Input Current	CCT	Lumens	LPW	ENERGY STAR®	Halogen Replacement	PK QTY	Unit Weight
RTL/437WH/90/D-28	79707 <sup>1</sup>	751338093782	4"	8W	0.07	3000K	620	78	Y	50W	1	0.7 Lbs.
RTL/447WH/90/D-28	79709	751338093799	4"	8W	0.07	4000K	690	86	Y	50W	1	0.7 Lbs.
RTL/637WH/90/D-28	79711 <sup>1</sup>	751338093805	6"	12W	0.11	3000K	1,025	85	Y	65W	1	0.9 Lbs.
RTL/647WH/90/D-28	79713	751338093812	6"	12W	0.11	4000K	1,100	92	Y	65W	1	0.9 Lbs.

<sup>1</sup> Not for sale in California.

### NOMENCLATURE

Example: RTL/437WH/90/D-28

RTL	4 6	X	3	WH	90	D
LED Recessed Trim	Size (in)	CCT	Style	White	90 CRI	Dimmable
		↓ 2 (Soft White) 3 (Warm White) 4 (Cool White) 5 (Daylight)	↓ 0 (Smooth) 3 (Baffle) 7 (Gimbal) SQ (Square)			

#### NOTES:

<sup>1</sup>Dimming - This unit is designed to be compatible with most leading edge dimmers. (Dimming range 100% - 5%) Fixture performance may vary depending on dimmer manufacturer and circuit loading. Avoid mixing load types on the same circuit: Do not dim LED while also dimming CFL or incandescent loads.

Topaz Lighting Corp. has found the following dimmers to be compatible with this unit: Leviton: IPL06, 6674 and Lutron: CTCL-153P, DVCL-153P

Specifications subject to change without notice.

Revised July 2020

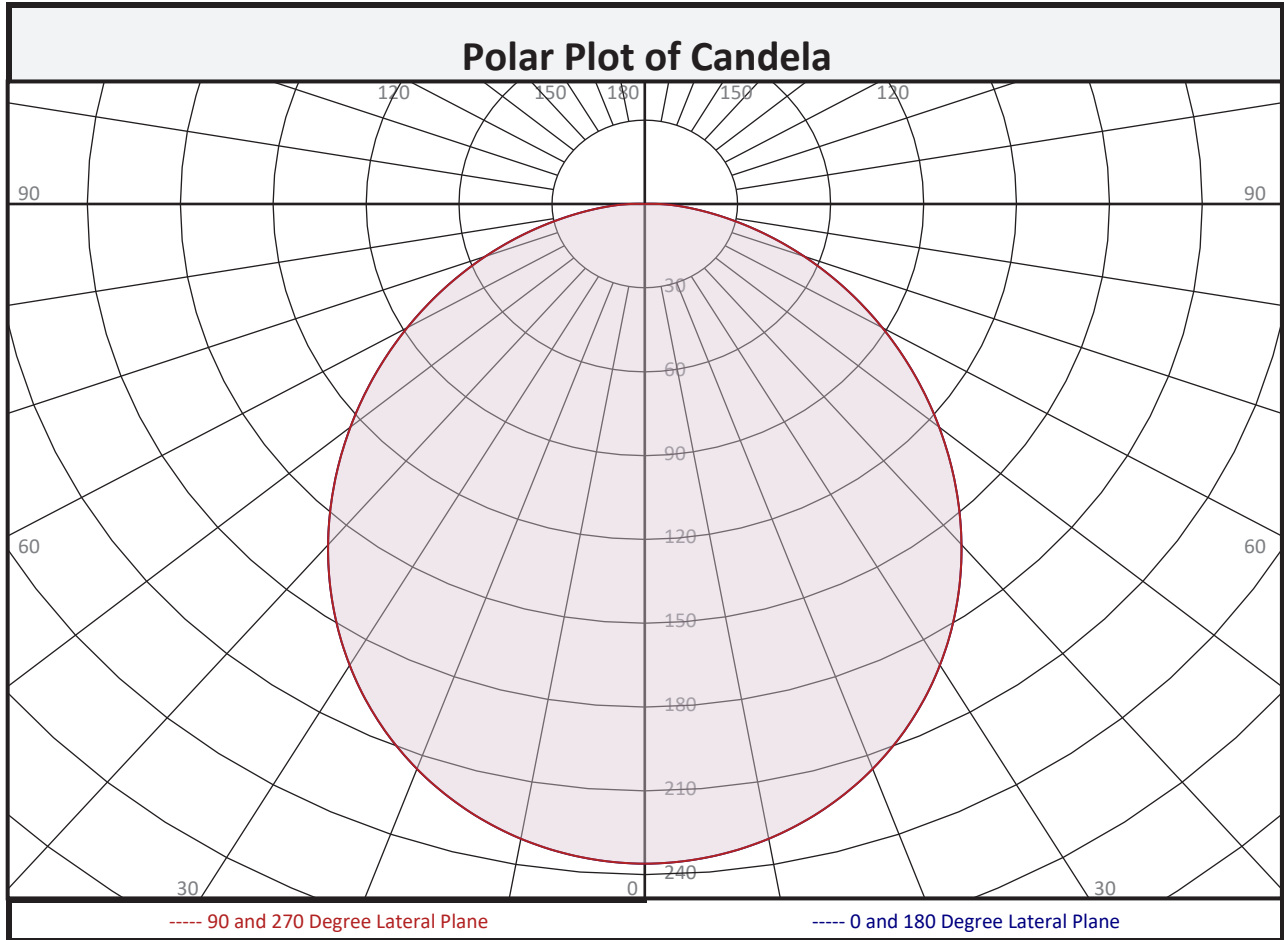


Job Name/Title: \_\_\_\_\_ Catalog Number \_\_\_\_\_

Contractor: \_\_\_\_\_ Notes: \_\_\_\_\_

**LED Recessed Downlights  
Designer - Gimbal Trim**

**4"**



Zonal Flux Summary										
Zone (Deg Vert)	Flux (Lumens)	Percent of Total		Zone (Deg Vert)	Flux (Lumens)	Percent of Total		Zone (Deg Vert)	Flux (Lumens)	Percent of Total
0-10	22.3	3.6%		90-100	0.7	0.1%		0-20	85.4	13.8%
10-20	63.2	10.2%		100-110	0.0	0.0%		0-30	179.3	28.9%
20-30	93.8	15.1%		110-120	0.0	0.0%		0-40	289.0	46.5%
30-40	109.7	17.7%		120-130	0.0	0.0%		0-60	493.3	79.4%
40-50	109.3	17.6%		130-140	0.0	0.0%		0-80	605.3	97.5%
50-60	95.0	15.3%		140-150	0.0	0.0%		10-90	597.9	96.3%
60-70	70.7	11.4%		150-160	0.0	0.0%		20-50	312.9	50.4%
70-80	41.3	6.7%		160-170	0.0	0.0%		40-90	331.2	53.3%
80-90	14.9	2.4%		170-180	0.0	0.0%		60-90	126.9	20.4%
0-90	620.2	99.9%		90-180	0.7	0.1%		0-180	620.9	100.0%

Revised July 2020



Job Name/Title: \_\_\_\_\_ Catalog Number \_\_\_\_\_

Contractor: \_\_\_\_\_ Notes: \_\_\_\_\_

**LED Recessed Downlights  
Designer - Gimbal Trim**

**4"**

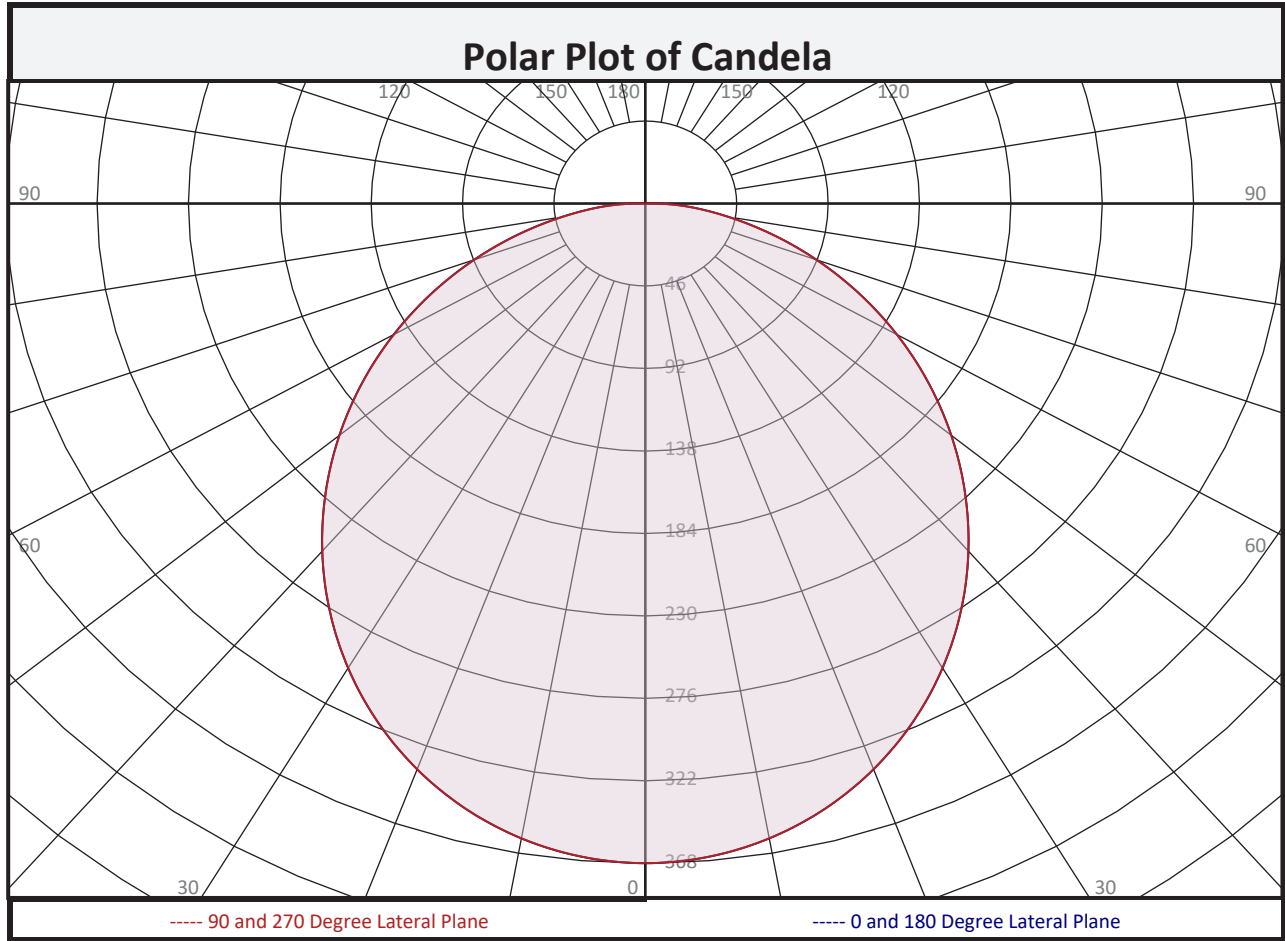
Circle of Light Plot				
Height(ft)	Illuminance at Nadir (fc)	Ground-level distance to half-of-nadir illuminance (ft)		
		0-180 deg	90-270 deg	
6.0	6.6	7.22	7.22	
8.0	3.7	9.63	9.63	
10.0	2.4	12.03	12.03	
12.0	1.6	14.44	14.44	
14.0	1.2	16.84	16.84	
16.0	0.9	19.25	19.25	

Average Luminance (cd/m <sup>2</sup> )			
	0 deg Plane	45 deg Plane	90 deg Plane
0	61599	61599	61599
45	52321	52321	52321
55	48318	48318	48318
65	44047	44047	44047
75	39183	39183	39183
85	39506	39506	39506

Spacing Criterion	
Spacing Criterion:	1.2

## LED Recessed Downlights Designer - Gimbal Trim

6"



### Zonal Flux Summary

Zone (Deg Vert)	Flux (Lumens)	Percent of Total	Zone (Deg Vert)	Flux (Lumens)	Percent of Total	Zone (Deg Vert)	Flux (Lumens)	Percent of Total
0-10	34.7	3.5%	90-100	0.3	0.0%	0-20	133.3	13.4%
10-20	98.5	9.9%	100-110	0.0	0.0%	0-30	280.2	28.1%
20-30	146.9	14.7%	110-120	0.0	0.0%	0-40	453.4	45.5%
30-40	173.3	17.4%	120-130	0.0	0.0%	0-60	784.3	78.7%
40-50	175.5	17.6%	130-140	0.0	0.0%	0-80	971.5	97.5%
50-60	155.4	15.6%	140-150	0.0	0.0%	10-90	961.7	96.5%
60-70	117.6	11.8%	150-160	0.0	0.0%	20-50	495.6	49.7%
70-80	69.6	7.0%	160-170	0.0	0.0%	40-90	543.0	54.5%
80-90	24.9	2.5%	170-180	0.0	0.0%	60-90	212.1	21.3%
0-90	996.4	100.0%	90-180	0.3	0.0%	0-180	996.7	100.0%



Job Name/Title: \_\_\_\_\_ Catalog Number \_\_\_\_\_

Contractor: \_\_\_\_\_ Notes: \_\_\_\_\_

**LED Recessed Downlights  
Designer - Gimbal Trim**

6"

Circle of Light Plot			
Height(ft)	Illuminance at Nadir (fc)	Ground-level distance to half-of-nadir illuminance (ft)	
		0-180 deg	90-270 deg
6.0	10.2	7.27	7.27
8.0	5.8	9.69	9.69
10.0	3.7	12.12	12.12
12.0	2.6	14.54	14.54
14.0	1.9	16.96	16.96
16.0	1.4	19.38	19.38

Average Luminance (cd/m <sup>2</sup> )			
	0 deg Plane	45 deg Plane	90 deg Plane
0	74372	74372	74372
45	65027	65027	65027
55	61237	61237	61237
65	56771	56771	56771
75	51250	51250	51250
85	52777	52777	52777

Spacing Criterion	
Spacing Criterion:	1.2