



**Southwire™**

# BLANK COVER

## SINGLE

### FEATURES

- Companion to Topaz single PVC boxes
- Rust proof; corrosion resistant

### APPLICATIONS

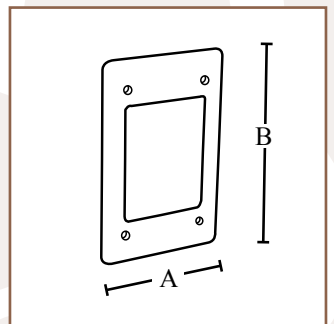
- For use with a single gang FS type box

### STANDARD MATERIAL

- PVC



1313TZ



PART #	MASTER QTY.	WEIGHT/ CASE (LBS.)	A	B
1313TZ	50	6	2.875"	4.5625"

Rev. 0, 06/23

**BUILT FOR DURABILITY.  
BUILT FOR RELIABILITY.  
BUILT FOR WORK.™**

1-855-798-6657 | SOUTHWIRE.COM

©2023 Southwire Company, LLC. All rights reserved.  
\*Registered Trademark & ™Trademark of Southwire Company, LLC.