

Items:  
F-VT4/50W/40K-86  
F-VT4/50W/50K-86



## INSTALLATION INSTRUCTIONS FOR TRI-PROOF VAPOR TIGHT LUMINAIRE



### WARNING: RISK OF FIRE OR ELECTRIC SHOCK

**Read and follow all safety instructions before installing.  
Failure to follow instructions could result in serious injury or death.**

- Fixture must be installed, grounded and used in accordance with the NEC (National Electric Code) and all local codes.
- Access above ceiling required. Do not install luminaire within 51mm (2 inches) of insulation.
- Ensure supply voltage is equal to the rated voltage of the fixture (120V-277V, 50/60 Hz, Class 2 Power Supply).
- Fixture is suitable for wet location. Do not use in hazardous environments (e.g. corrosives, explosive gases, etc.).
- Power must be disconnected before installation or maintenance.
- Do not install if luminaire is damaged in any way.

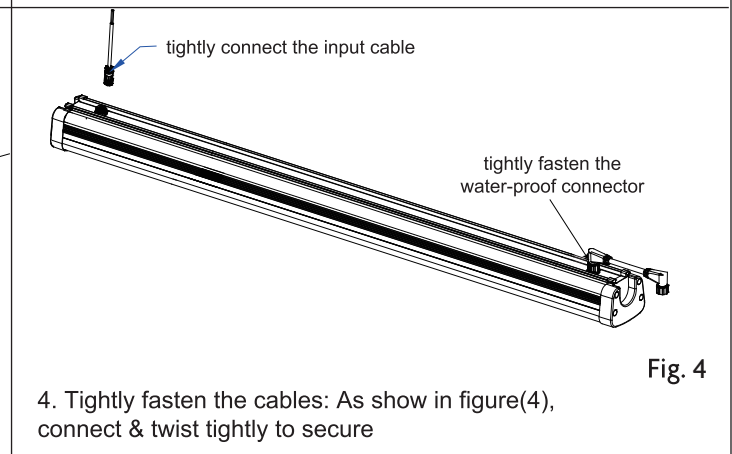
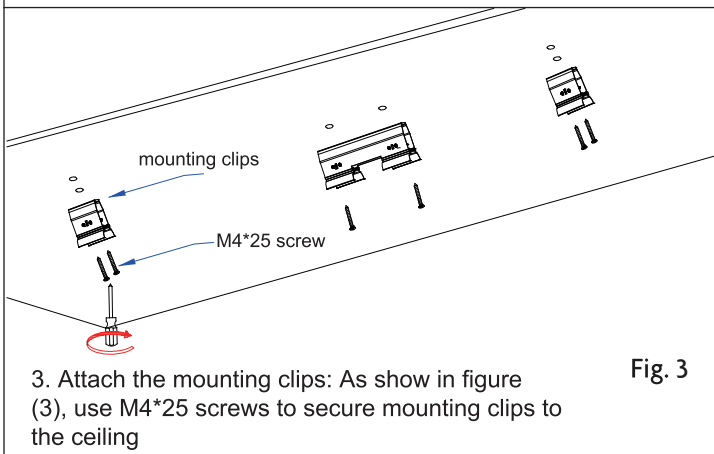
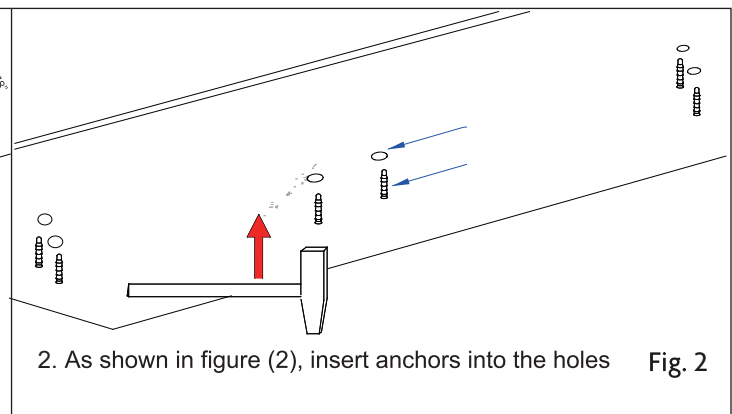
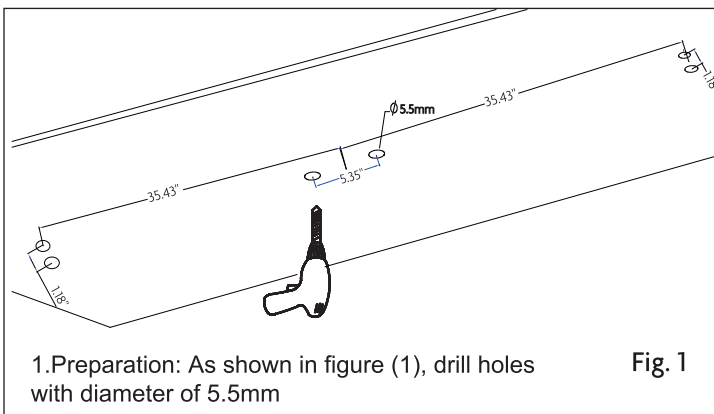
#### Parts Included:

- LED Luminaire
- Installation Instructions
- Standard Installation Bracket
- Input Cable, 6ft length

#### Fixture is Linkable:

Maximum of 12 luminaires on 120V system  
Maximum of 33 luminaires on 277V system

### Surface Mount Installation, Connected Fixtures



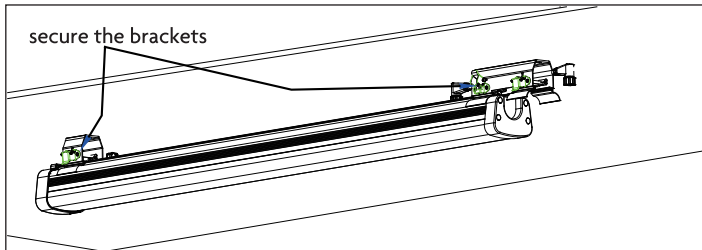


Fig. 5

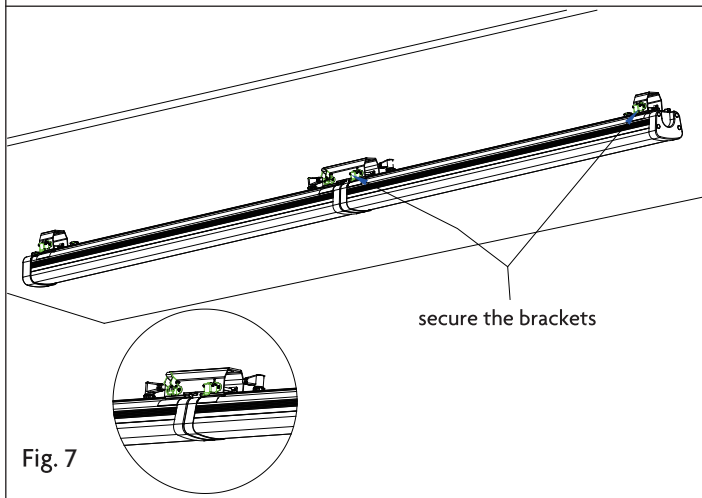


Fig. 7

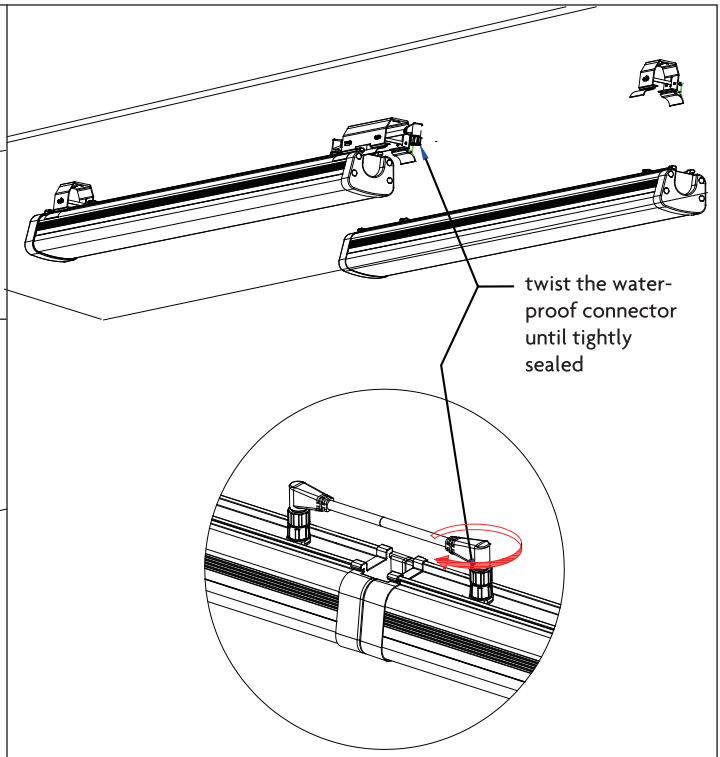


Fig. 6

6. As show in figure (6), twist connector tightly

**Surface Mount Installation, Individual Fixture**

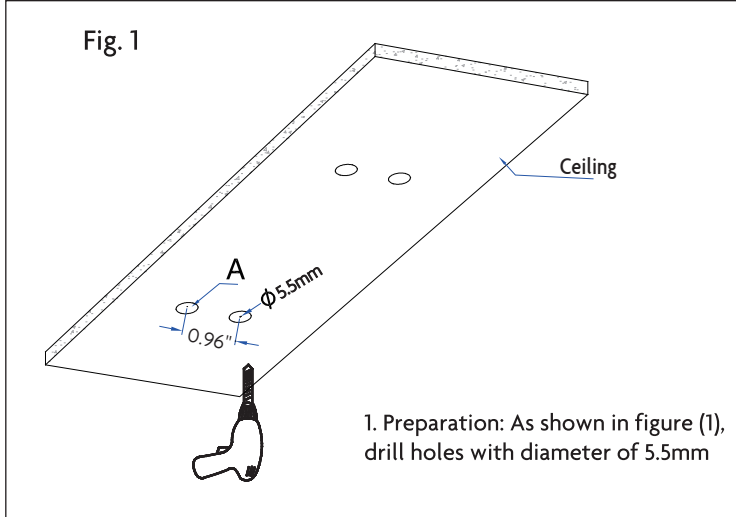


Fig. 1

1. Preparation: As shown in figure (1), drill holes with diameter of 5.5mm

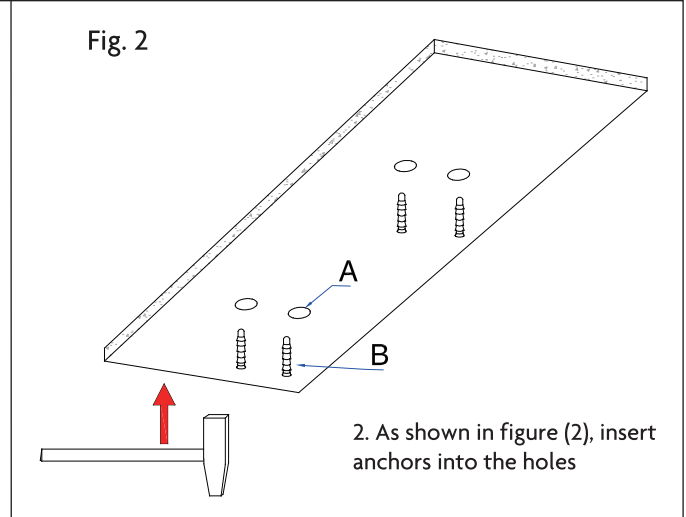


Fig. 2

2. As shown in figure (2), insert anchors into the holes

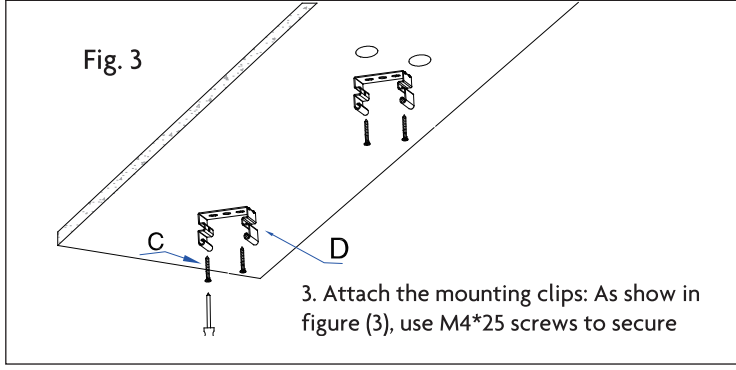


Fig. 3

3. Attach the mounting clips: As show in figure (3), use M4\*25 screws to secure

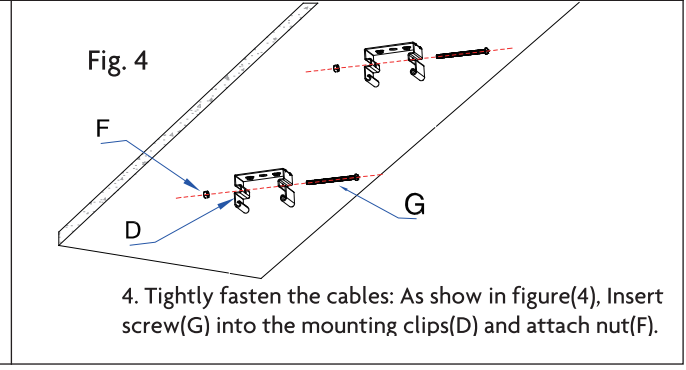
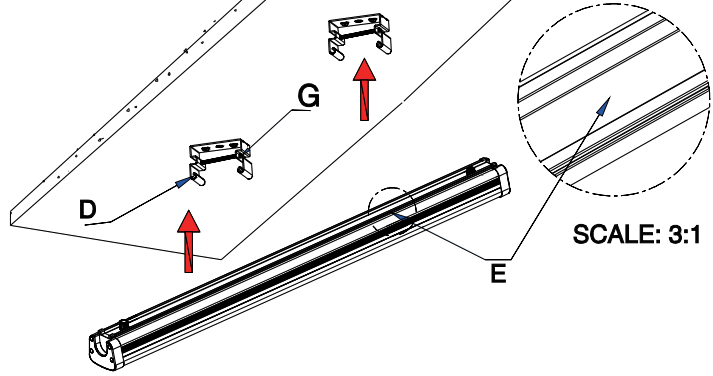


Fig. 4

4. Tightly fasten the cables: As show in figure(4), Insert screw(G) into the mounting clips(D) and attach nut(F).

5. Install luminaire into mounting clips, as shown in figure (5), securing clips to the grooves on the back of the luminaire. Fasten screws & nuts securely.

Fig. 5



### Wiring Diagram

Black wire = Live

White wire = Neutral

Green wire = Ground

