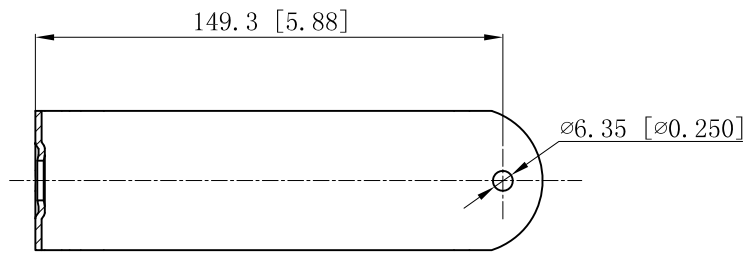
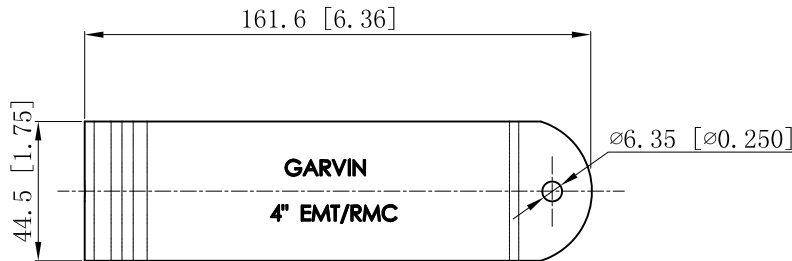
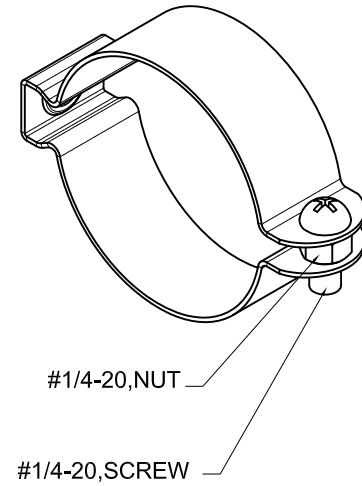
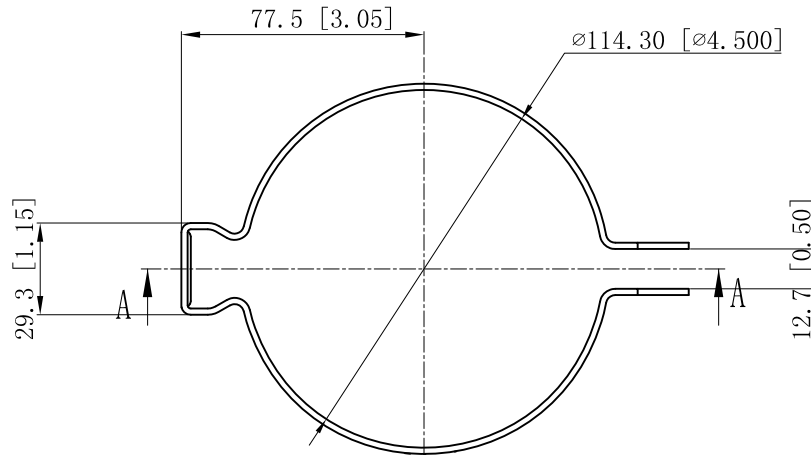
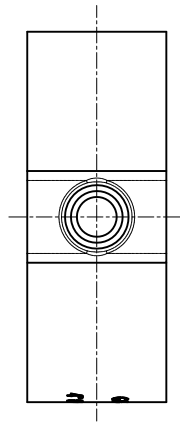


SIDES	BOTTOM
1 PCS #1/4-20×1 1/4 Screws Installed	
1 PCS #1/4-20 Hex Nut Installed	
Material:Steel-0.080"-C.R.S Zinc Plated	



CUTAWAY VIEW A-A



This data sheet is for reference only .GARVIN INDUSTRIES reserves the right to make changes to the design without prior notice.

DESCRIPTION
TRADE REFERENCE TERMS

STANDARD PACKING
5 PCS

<b>GARVIN INDUSTRIES</b>		
TITLE CONDUIT HANGERS		
SIZE A4	DWG NO. CH-400	REV C
DATA SHEET		