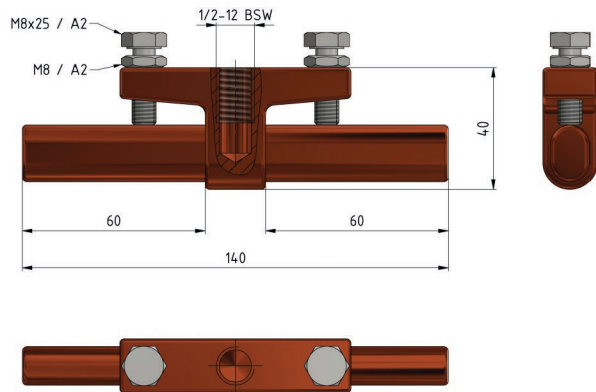
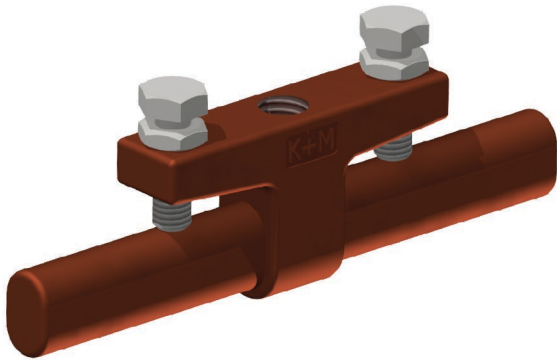


Clamping connector for oval copper tube

Item number E1944-01



Dimensions

C: 40 mm

B: 60 mm

A: 140 mm

Ø: 1/2-12 BSW

Material and weight

Weight: 0.430 kg

Material: Cu

Comments

- For tube connection (on both sides)
- Cu-tube must be clamped



Southwire™



A COLAS RAIL COMPANY

Contact Us: Transit@southwire.com