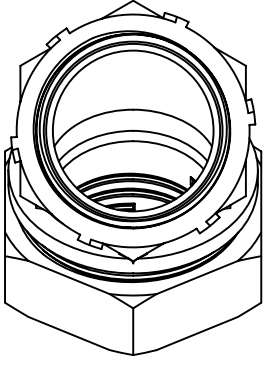
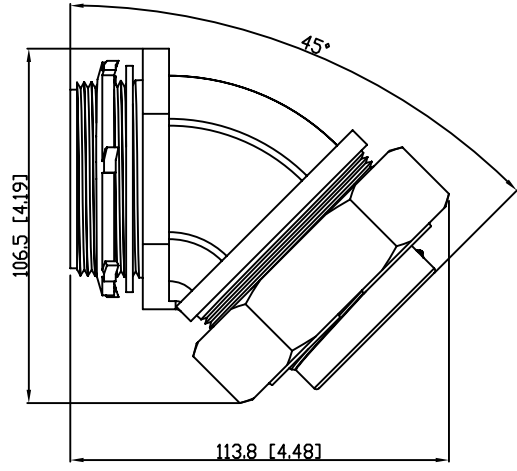
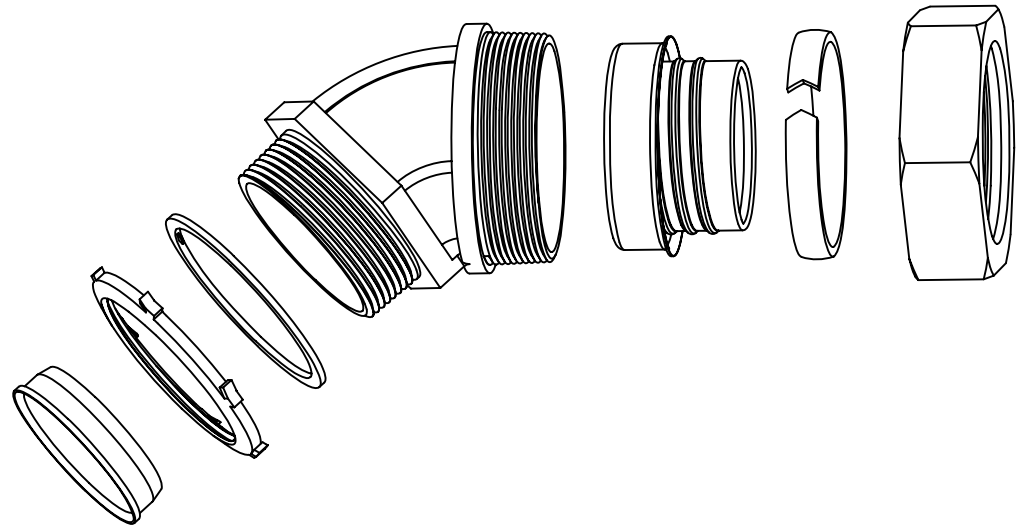
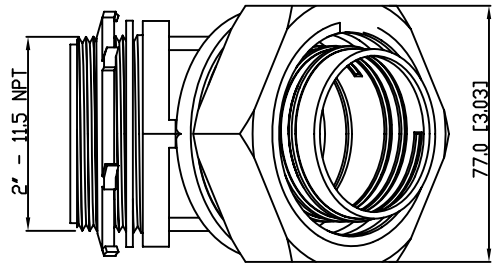


SIDES	BOTTOM
Material:Malleable Iron	



This data sheet is for reference only .GARVIN INDUSTRIES reserv the right to make changes to the design without prior notice.

DESCRIPTION
TRADE REFERENCE TERMS

STANDARD PACKING	TITLE		
5 PCS	45° Liquid Tight Conn, 2"		
	SIZE	DWG NO.	REV
	A4	DS-LTC-20045	A