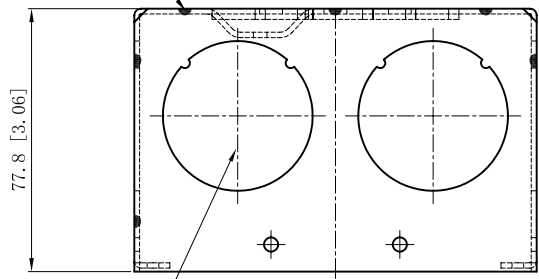
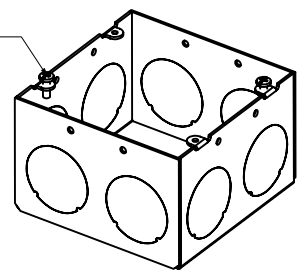


SIDES	BOTTOM
8 1-1/4" KNOCKOUTS	2 1/2" KNOCKOUTS
	2 3/4" KNOCKOUTS
	1 Ground Hump
2 PCS 8-32x1/2 Screws Installed	
Material: Steel-0.0625"-G60 Galvanized	

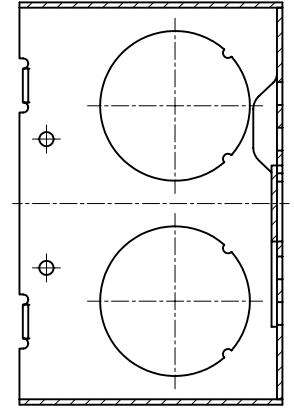
14 PLACES SPOT WELDING



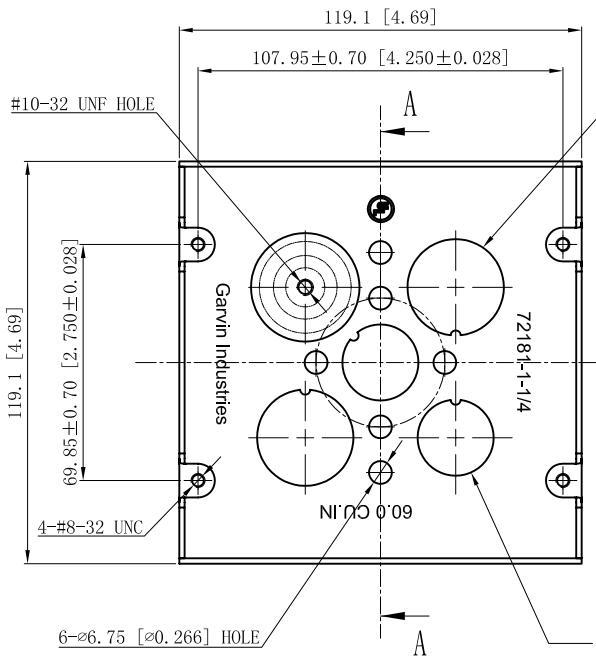
#8-32, x2



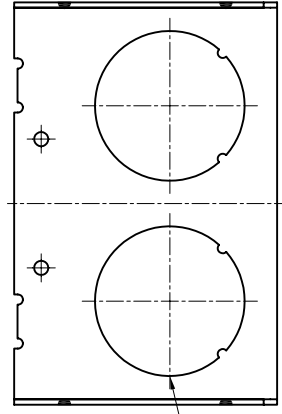
4 1-1/4" KNOCKOUT $\phi = 44.30$ ($\phi = 1.744$) MIRROR



CUTAWAY VIEW A-A



2 3/4" KNOCKOUTS $\phi = 28.50$ [$\phi = 1.122$]



4 1-1/4" KNOCKOUT $\phi = 44.30$ ($\phi = 1.744$) MIRROR

2 1/2" KNOCKOUTS $\phi = 22.50$ [$\phi = 0.886$]

This data sheet is for reference only. GARVIN INDUSTRIES reserves the right to make changes to the design without prior notice.

DESCRIPTION
TRADE REFERENCE TERMS

STANDARD PACKING
25 PCS

TITLE 4-11/16" SQUARE BOXES 3" DEEP		REV C
DATA SHEET		