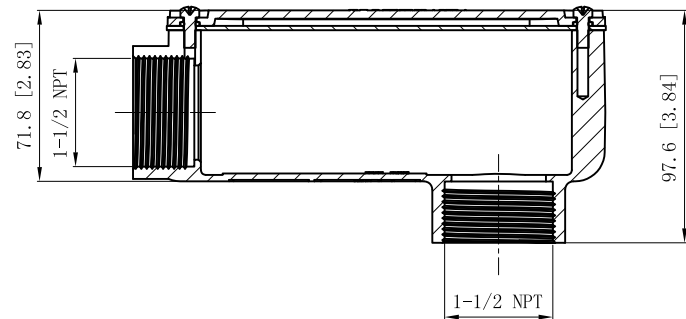
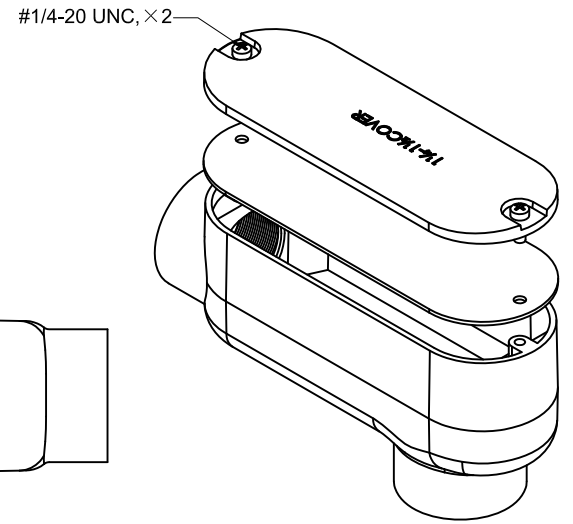
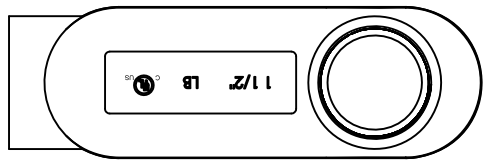
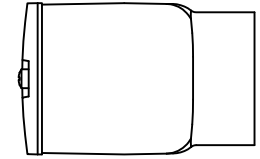
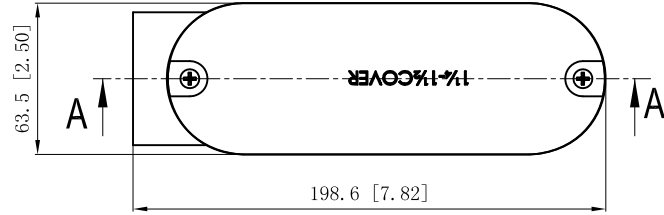
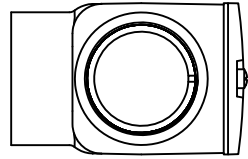


SIDES	BOTTOM
2 PCS 1/4-20×1/2 Screws Installed	
Material: Aluminum Powder Coating Silver Grey	



CUTAWAY VIEW A-A



DESCRIPTION
TRADE REFERENCE TERMS

STANDARD PACKING
2 PCS

This data sheet is for reference only .GARVIN INDUSTRIES reserves the right to make changes to the design without prior notice.

GARVIN INDUSTRIES			
"LB" ALUMINUM CONDUIT BODY			
TITLE			
SIZE	DWG NO.		REV
A4	LB150		A
DATA SHEET			