

Item :
F-LS/COUPLER-87

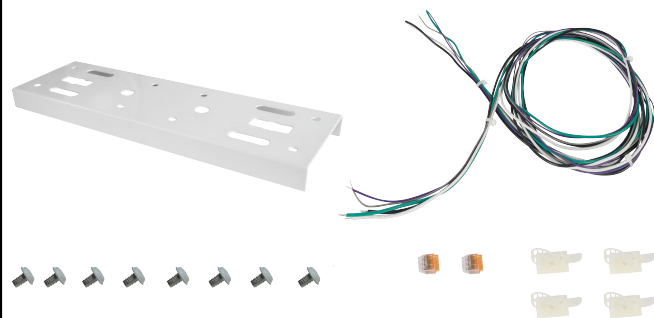
END TO END CONNECTOR KIT FOR LED LINEAR STRIP LIGHT CCT SELECTABLE INSTALLATION INSTRUCTIONS

Warnings to avoid risk of electrical shock

- Make certain electrical supply is OFF before energizing fixture
- Make all electrical and grounded connections in accordance with local codes or the National Electrical Code. Failure to do so may result in serious personal injury.
- All wiring connections must be done by a qualified electrician and should be capped with UL approved connectors.
- To avoid risk of burn be sure fixture temperature is cool enough to touch before handling.
- While the light is on, please avoid direct eye exposure.
- Combustible materials should be kept away from fixture/lens.

Parts List

F-LS/COUPLER-87



Parts:

**(1) End to end connector
bracket**

(8) Screws

(1) Harness set

• **White/Black/Green wire:**

• **L=98.43in, 18AWG**

• **Purple/Gray:**

• **L=98.43in, 22AWG**

(2) Quick connectors

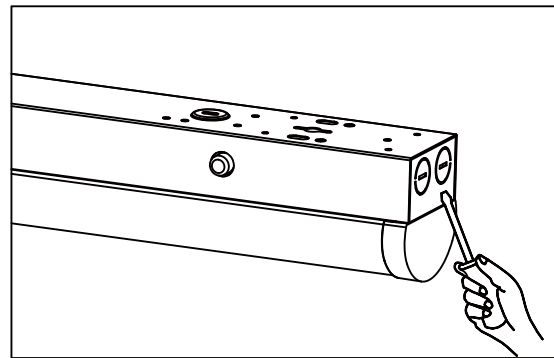
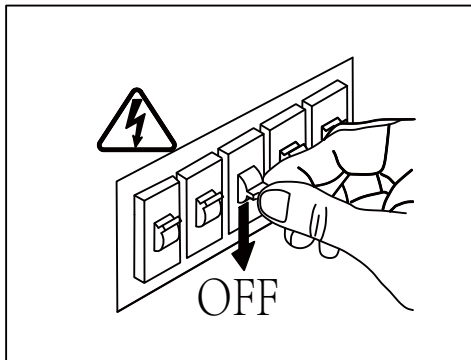
(4) Self-adhesive cable ties

Item :
F-LS/COUPLER-87

END TO END CONNECTOR KIT FOR LED LINEAR STRIP LIGHT CCT SELECTABLE INSTALLATION INSTRUCTIONS

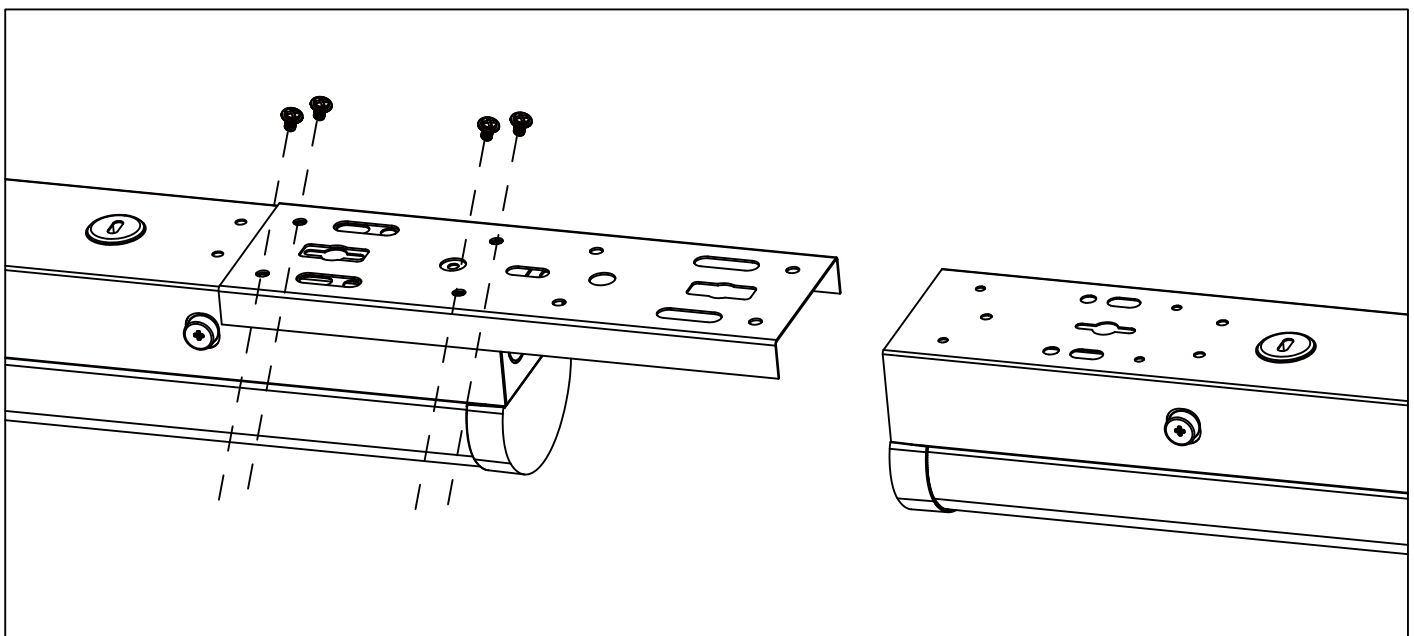
INSTALLATION Steps:

1. Disconnect electricity at fuse or circuit breaker box.
Remove all knockouts located on both ends of fixture.



2. Remove parts pack and fixture components in order to make sure that all parts are there. (Parts list)

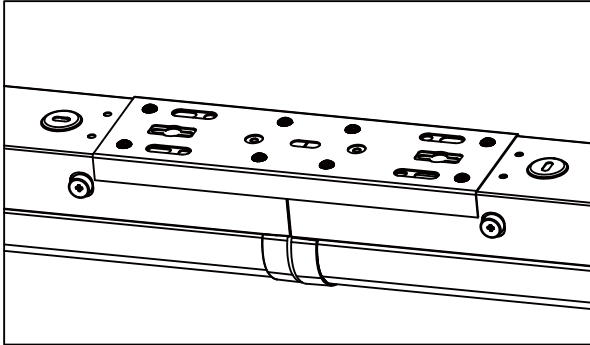
3. Place the end to end connector bracket on the end of the fixture where the knockouts were removed and secure with screws.



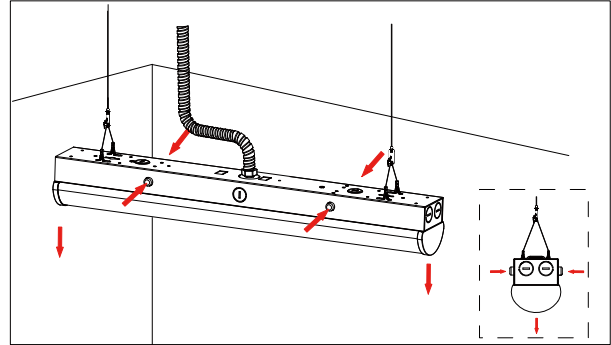
Item :
F-LS/COUPLER-87

END TO END CONNECTOR KIT FOR LED LINEAR STRIP LIGHT CCT SELECTABLE INSTALLATION INSTRUCTIONS

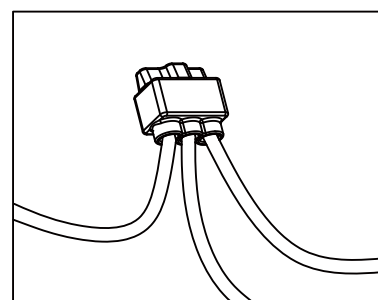
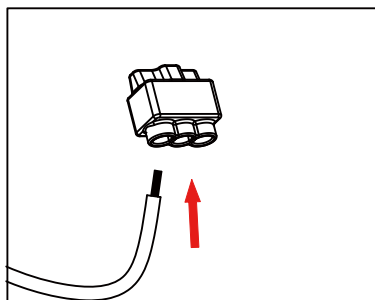
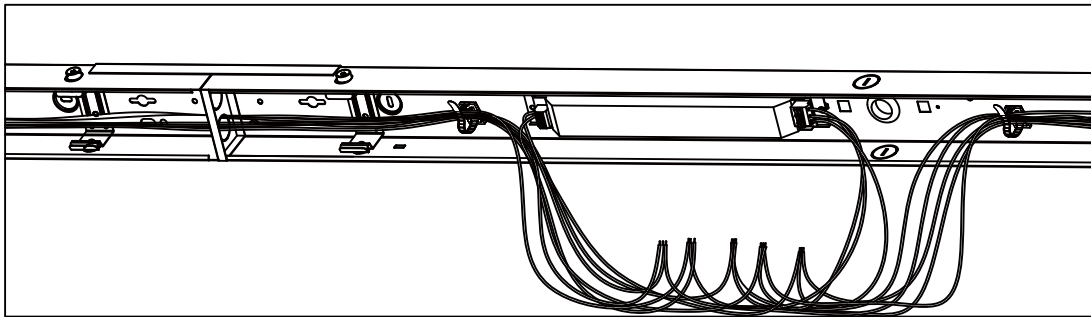
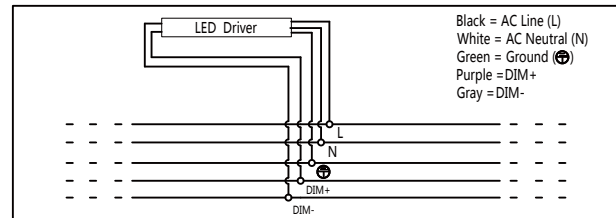
4. Slide the connecting fixture through the connector and secure with screws.



5. Swing open fixture by pushing in/squeezing both buttons located on opposite ends. Lift the LED Cover to disengage.

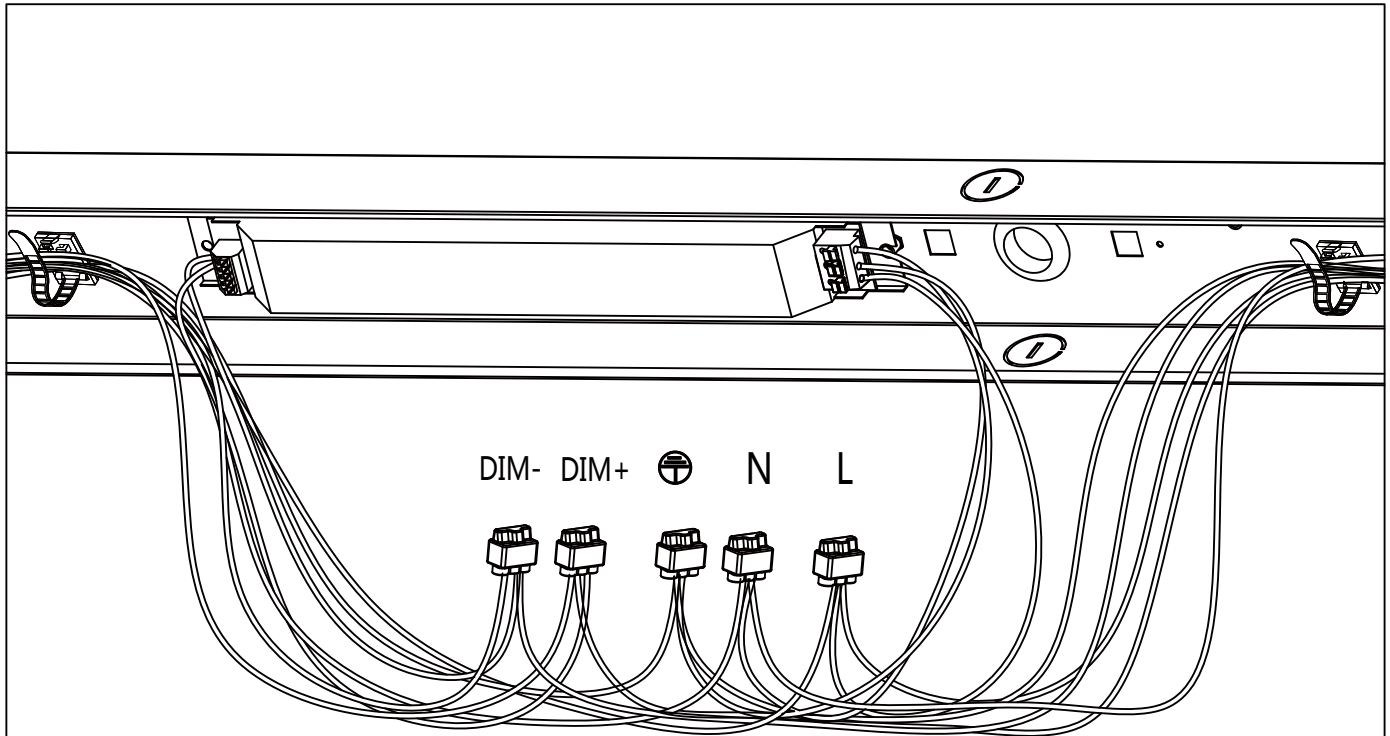


6. Take the black/white/green wire harness and connect to the existing wire connectors on the input wires of the driver respectively. When using the dimming function, take the purple and gray wire harness and make connection to driver with connectors included in the parts pack. Please make wiring connection using the wiring diagram.



Item :
F-LS/COUPLER-87

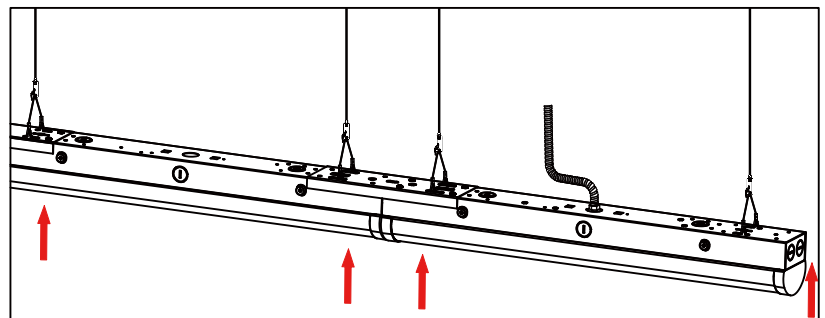
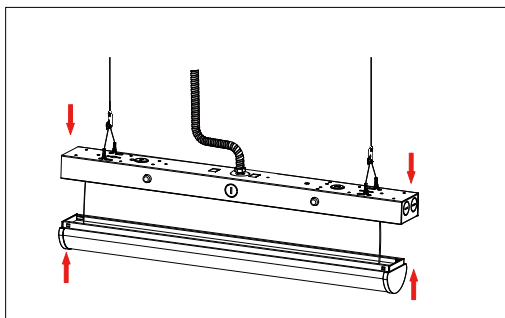
**END TO END CONNECTOR KIT FOR LED LINEAR STRIP LIGHT CCT SELECTABLE
INSTALLATION INSTRUCTIONS**



7. Once wiring is completed, take wire harness and run it through the knockouts of the connecting fixture. Use self-adhesive cable ties to eliminate any cable tangles and clutter.

8. Secure the LED Cover to the Housing by Pressing upward and lock it with springs tightly located into the fixture.

9. Energize the luminaire to verify operation.

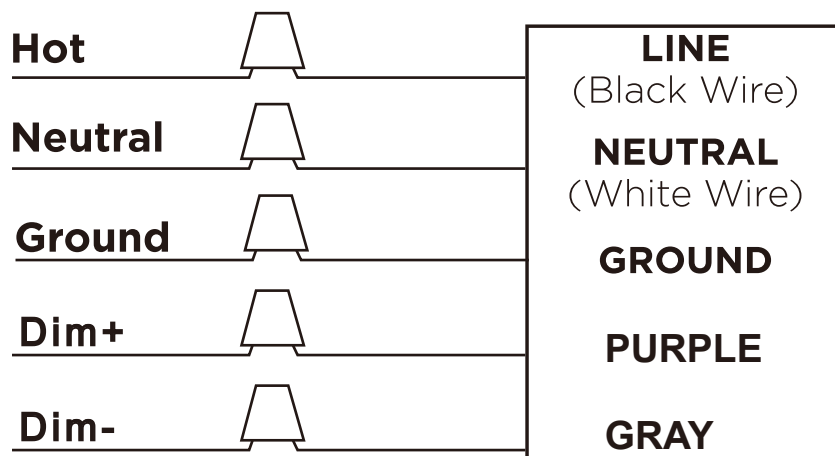


Item :
F-LS/COUPLER-87



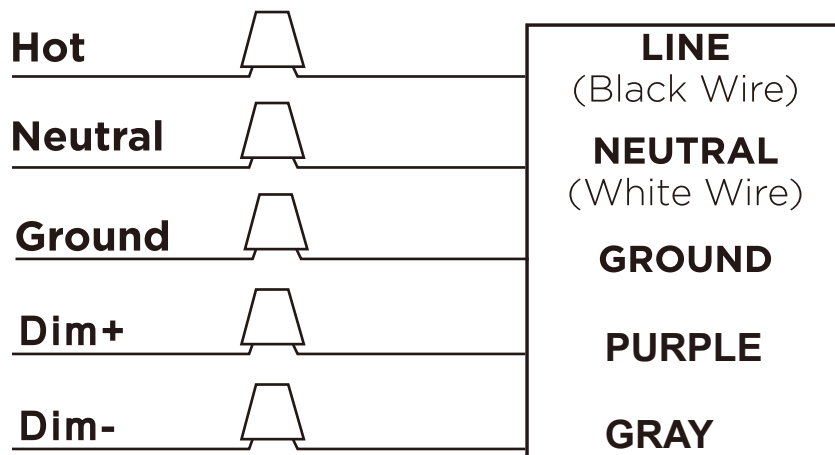
**END TO END CONNECTOR KIT FOR LED LINEAR STRIP LIGHT CCT SELECTABLE
INSTALLATION INSTRUCTIONS**

LINEAR STRIP FIXTURE



**208
VOLTS**
208V Split Phase
Wiring (USA 3 Wire)

LINEAR STRIP FIXTURE



**240
VOLTS**
240VAC Split Phase
Wiring (USA 3 Wire)

Please cap the gray and purple wires separately when not using the dimming feature.