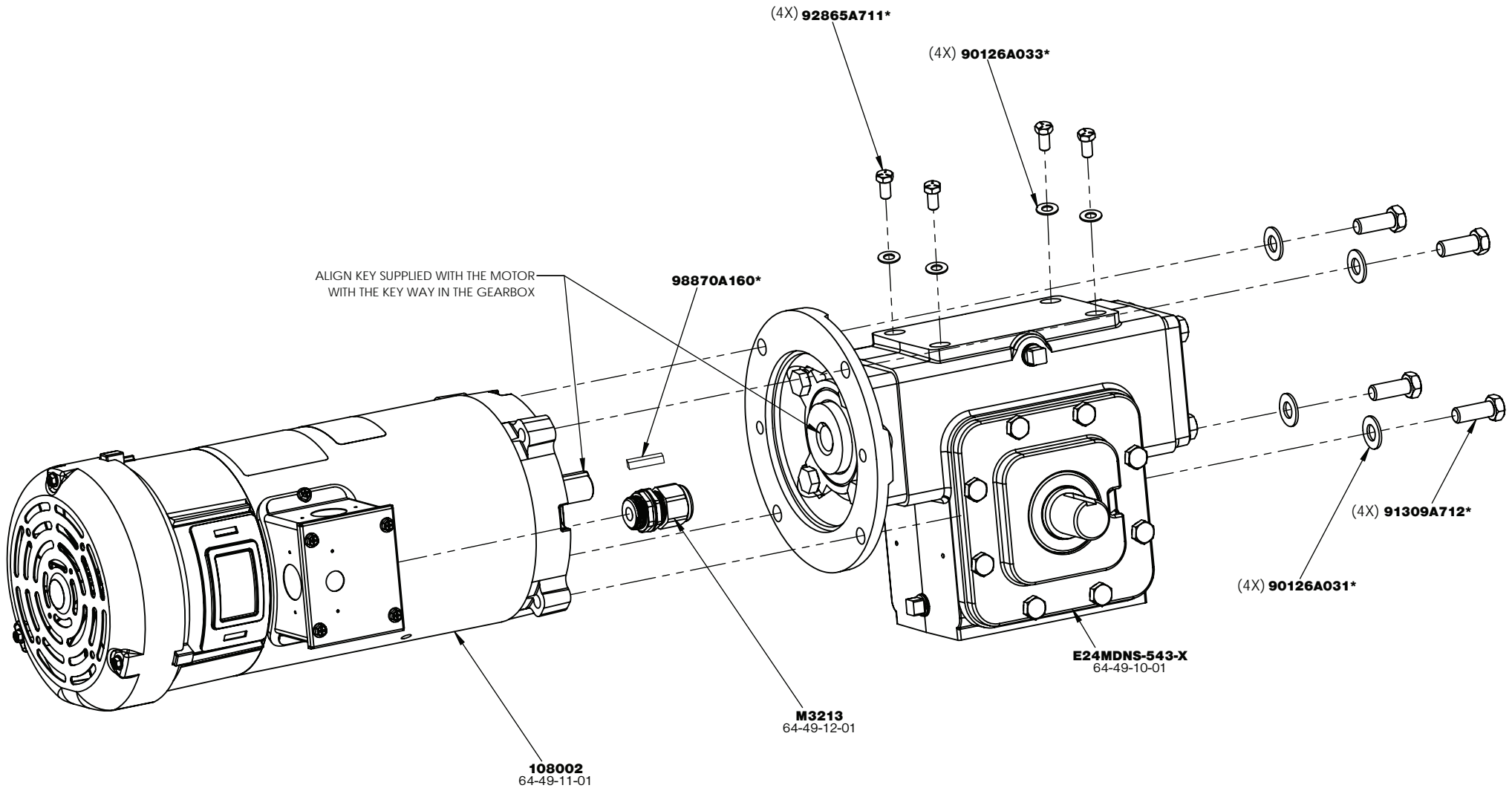
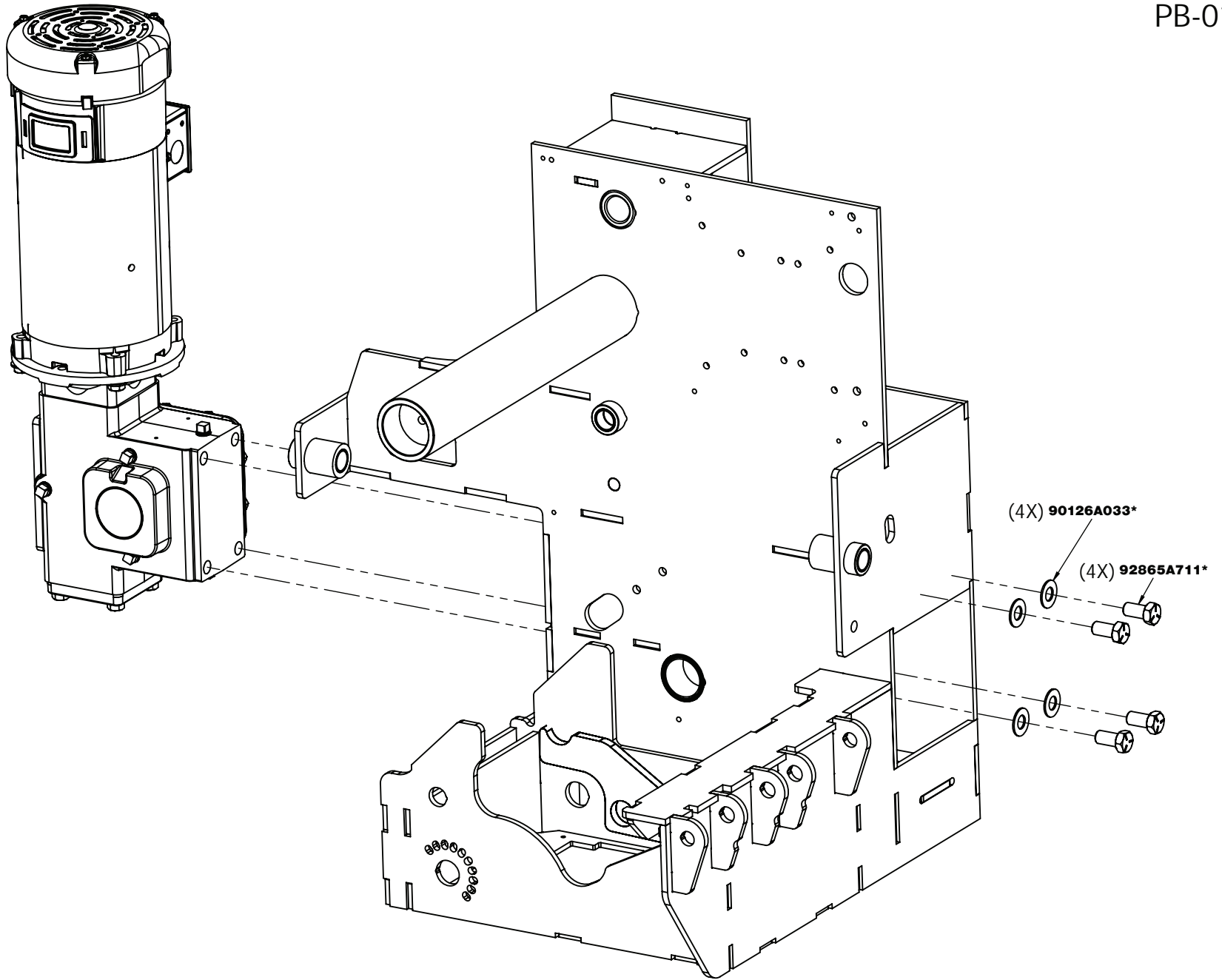
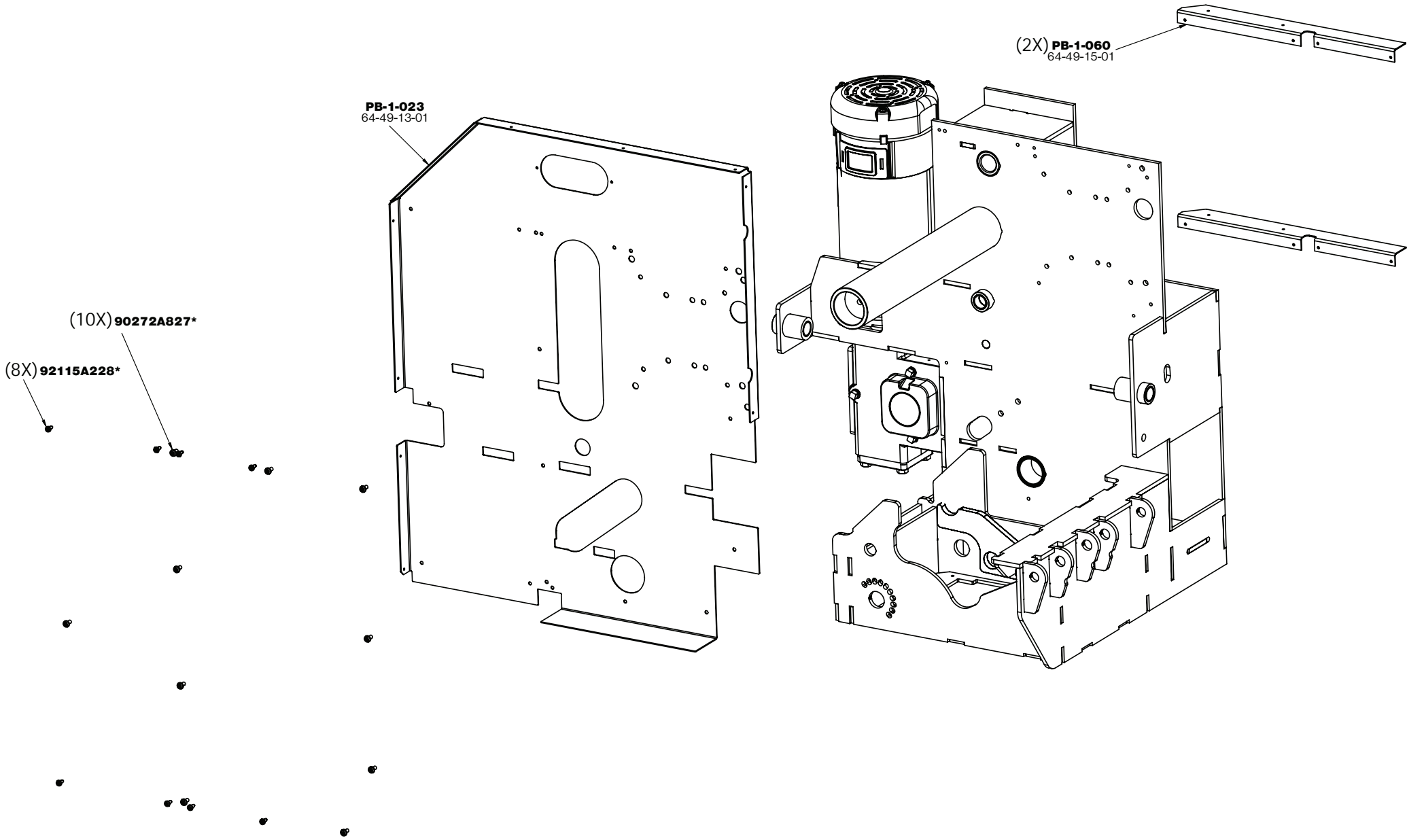


\*McMaster Carr Part Number

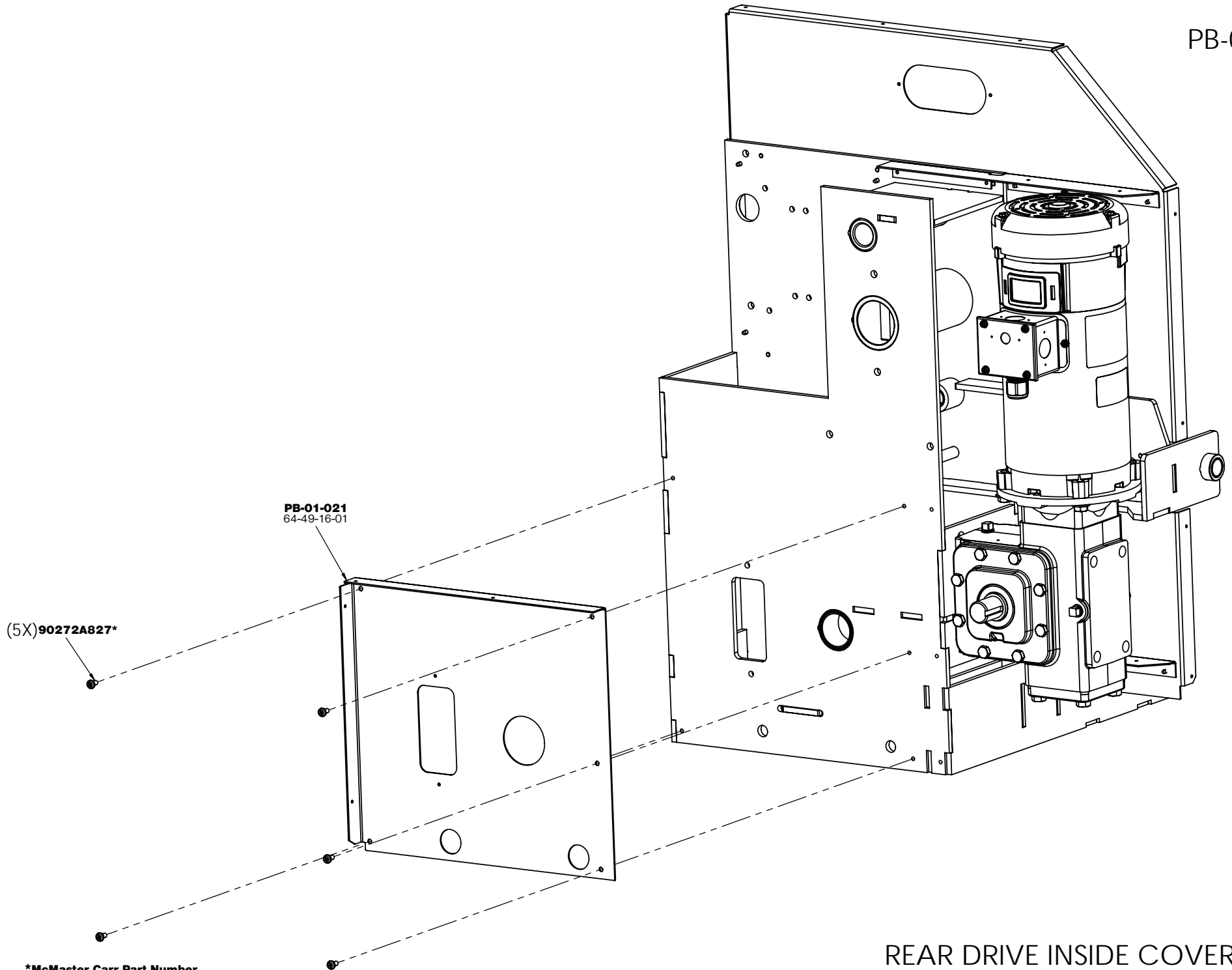
SECTION A-A







\*McMaster Carr Part Number



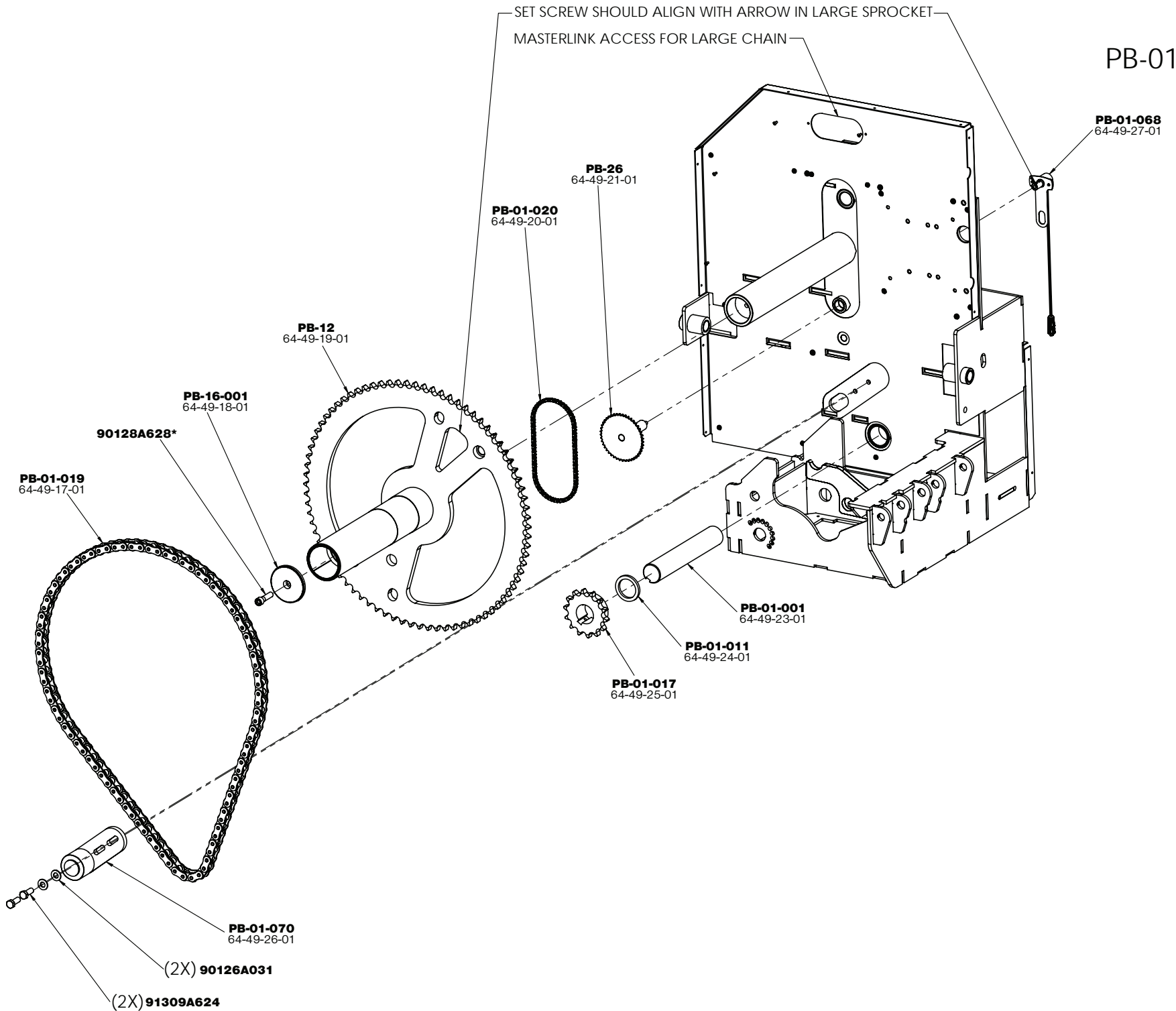
**PB-01-021**  
64-49-16-01

(5X) 90272A827\*

\*McMaster Carr Part Number

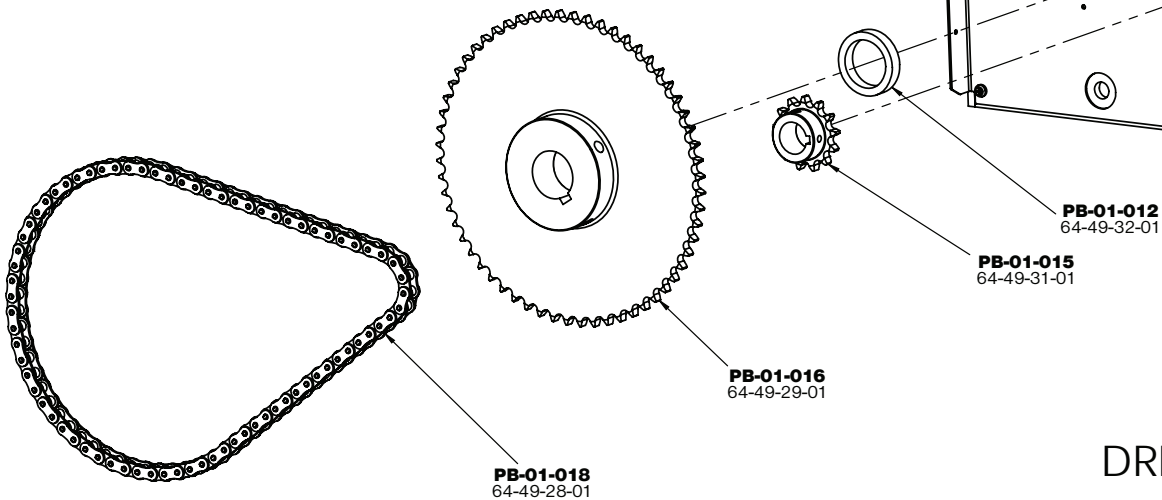
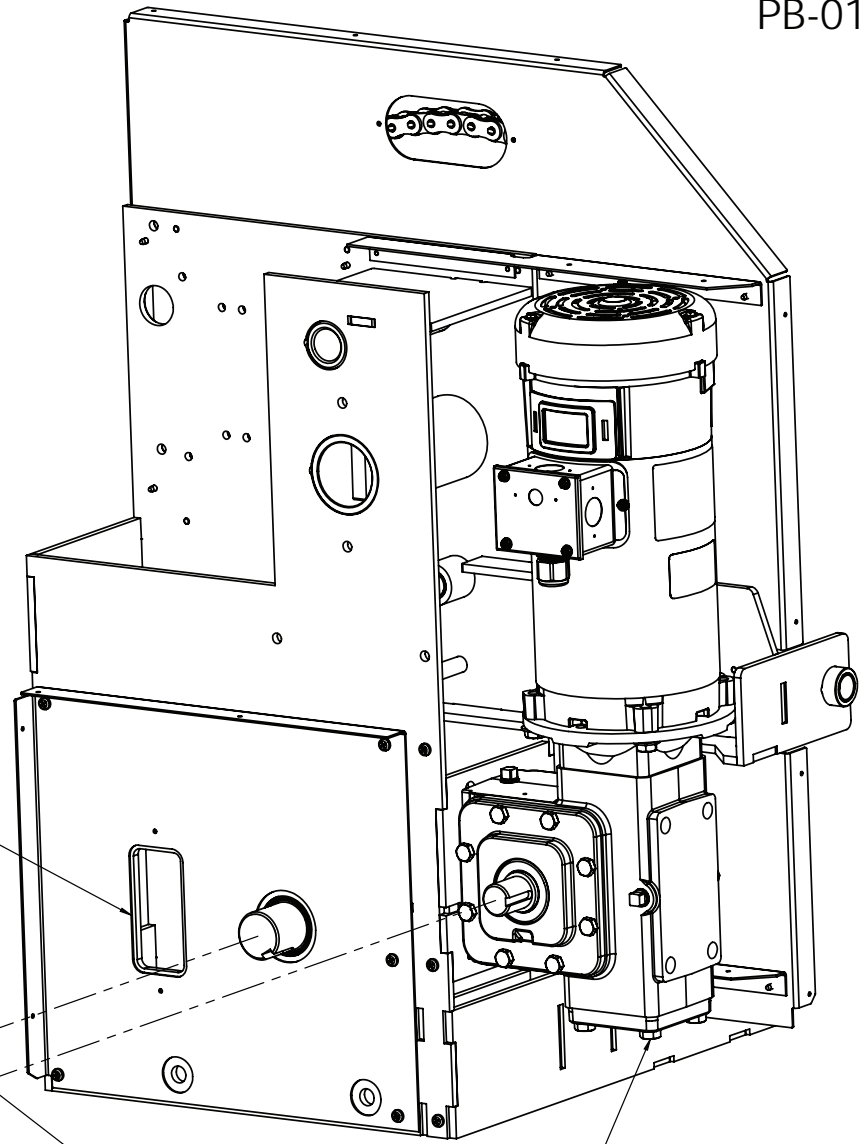
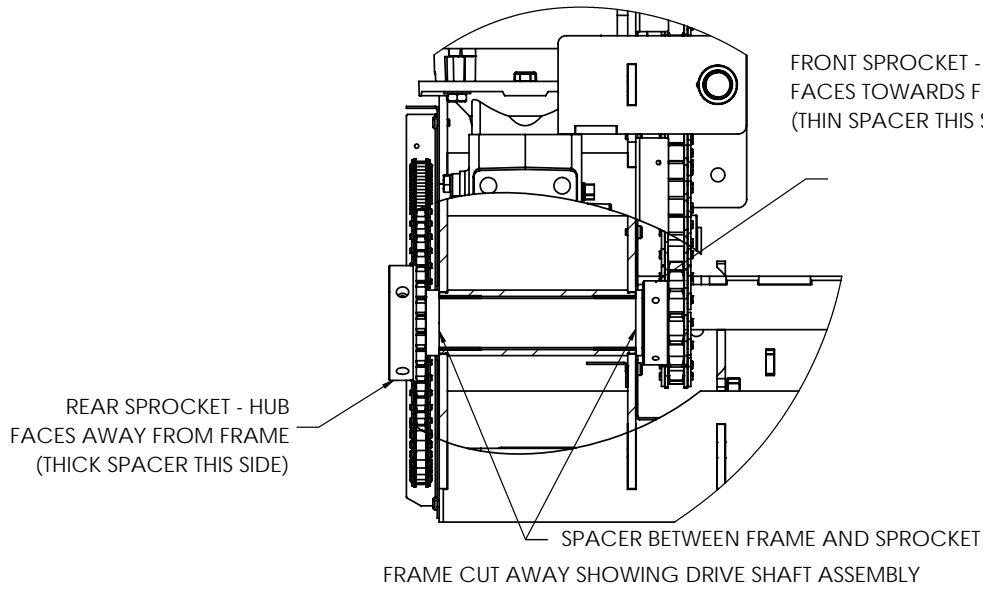
REAR DRIVE INSIDE COVER



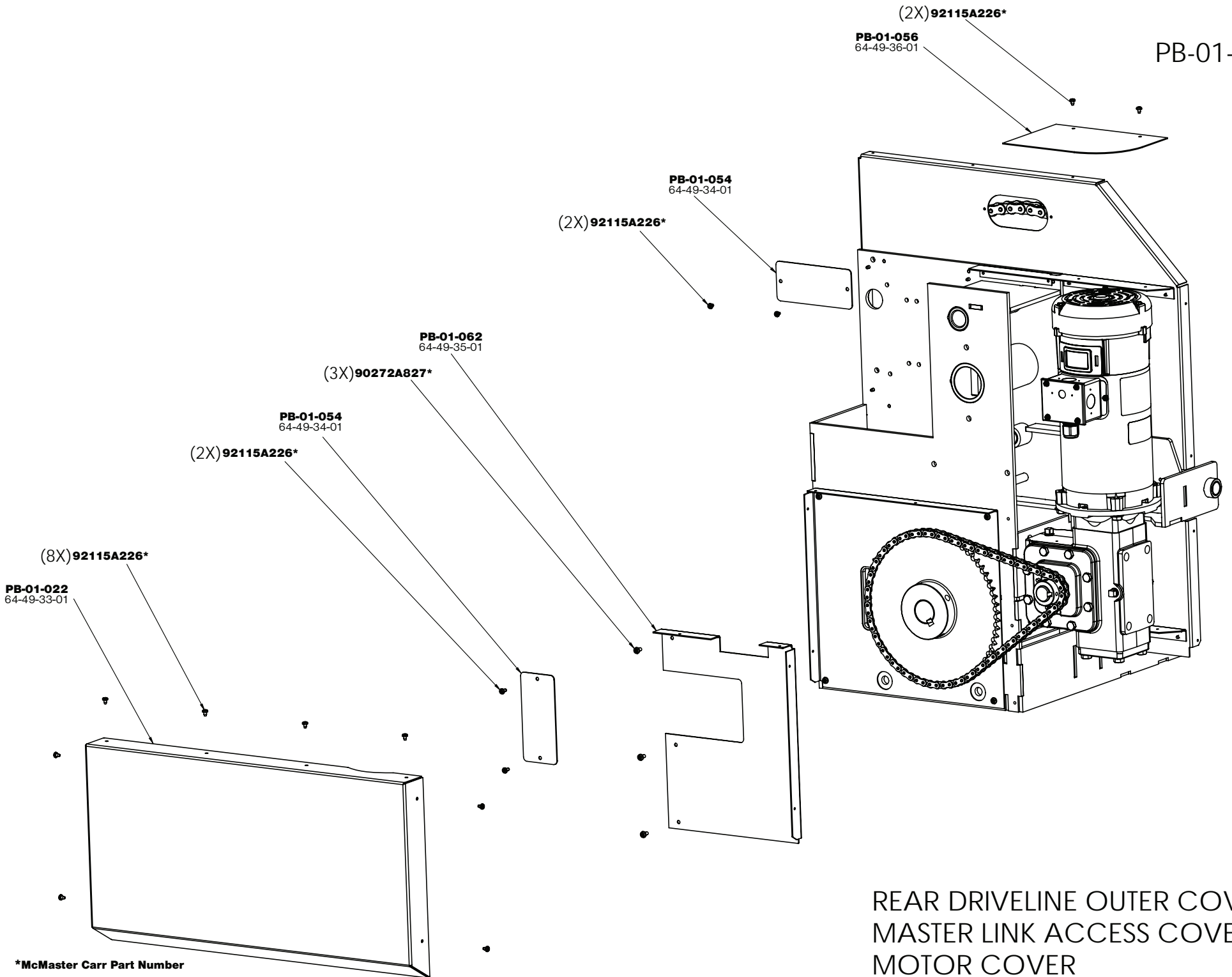


\*McMaster Carr Part Number

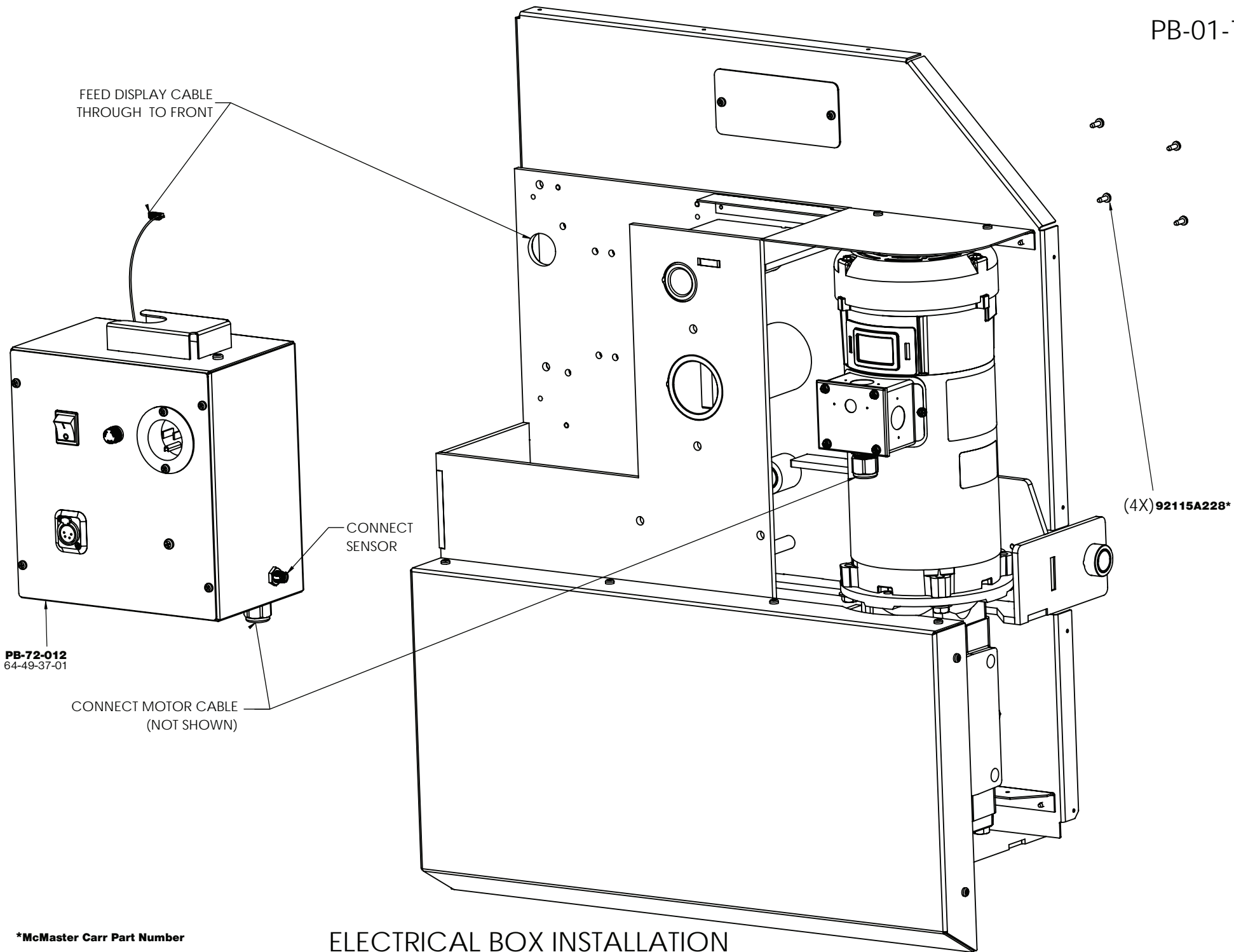
DRIVELINE, FRONT



DRIVELINE, REAR



\*McMaster Carr Part Number

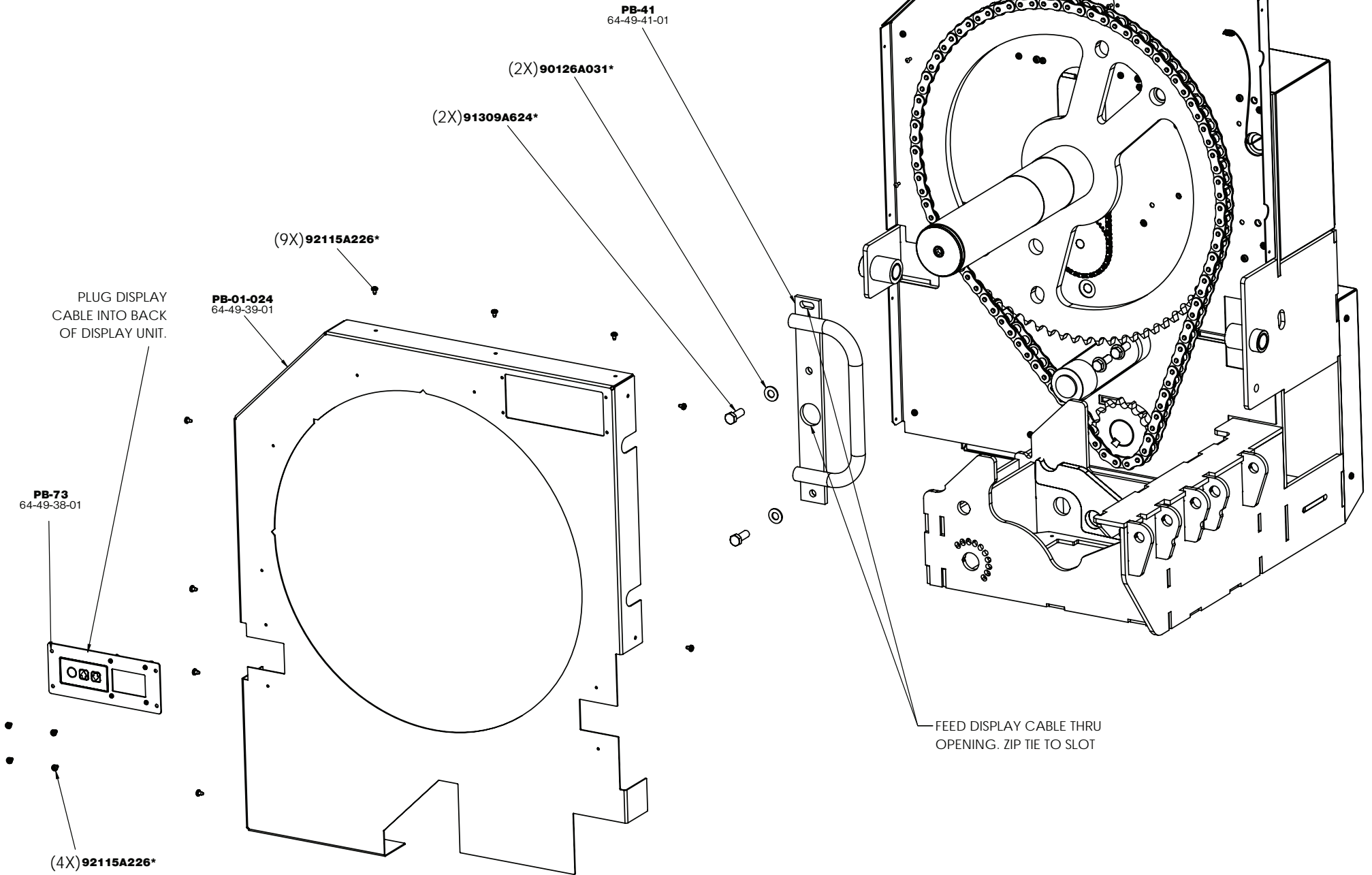


**PB-72-012**  
64-49-37-01

CONNECT MOTOR CABLE  
(NOT SHOWN)

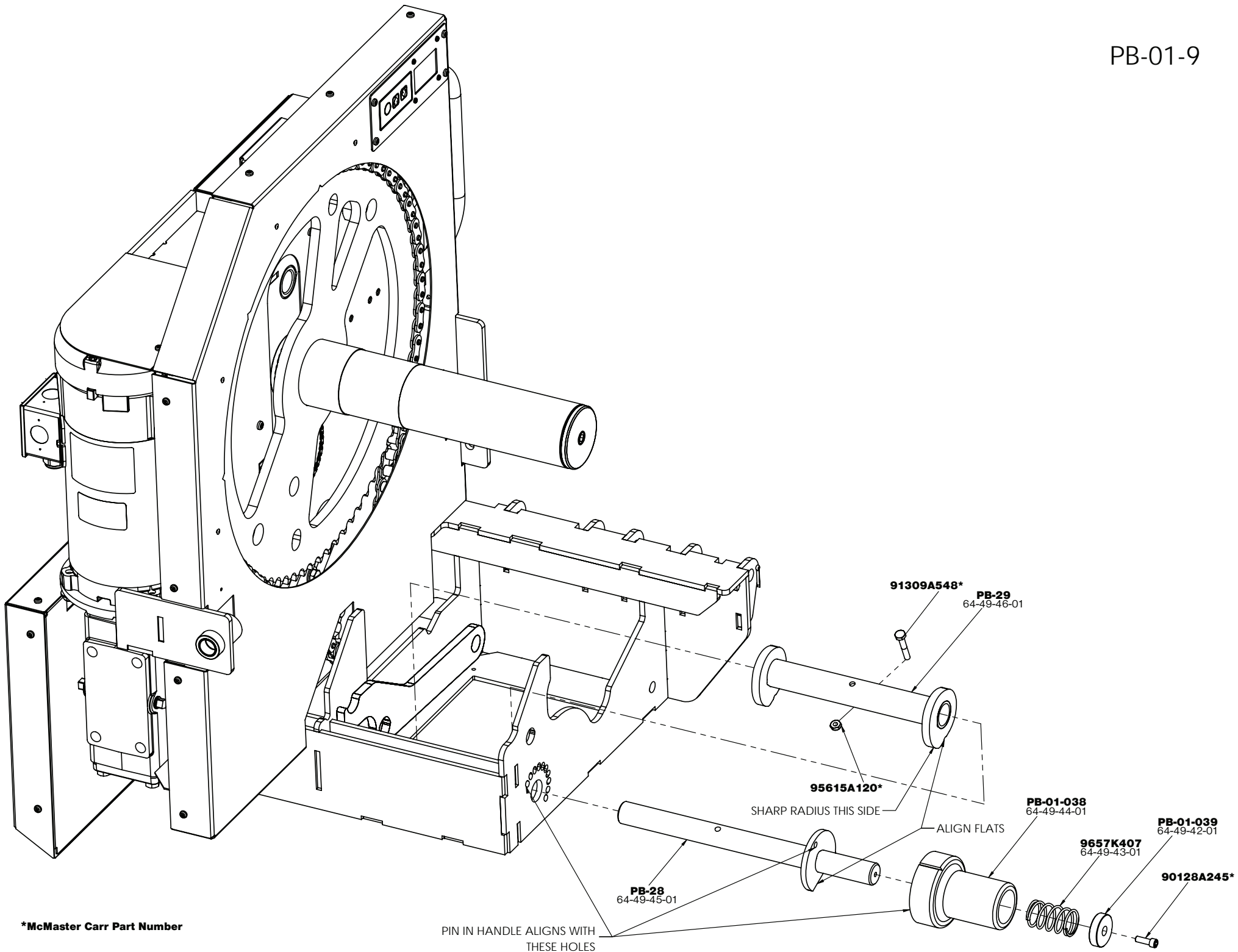
CONNECT  
SENSOR

(4X) 92115A228\*

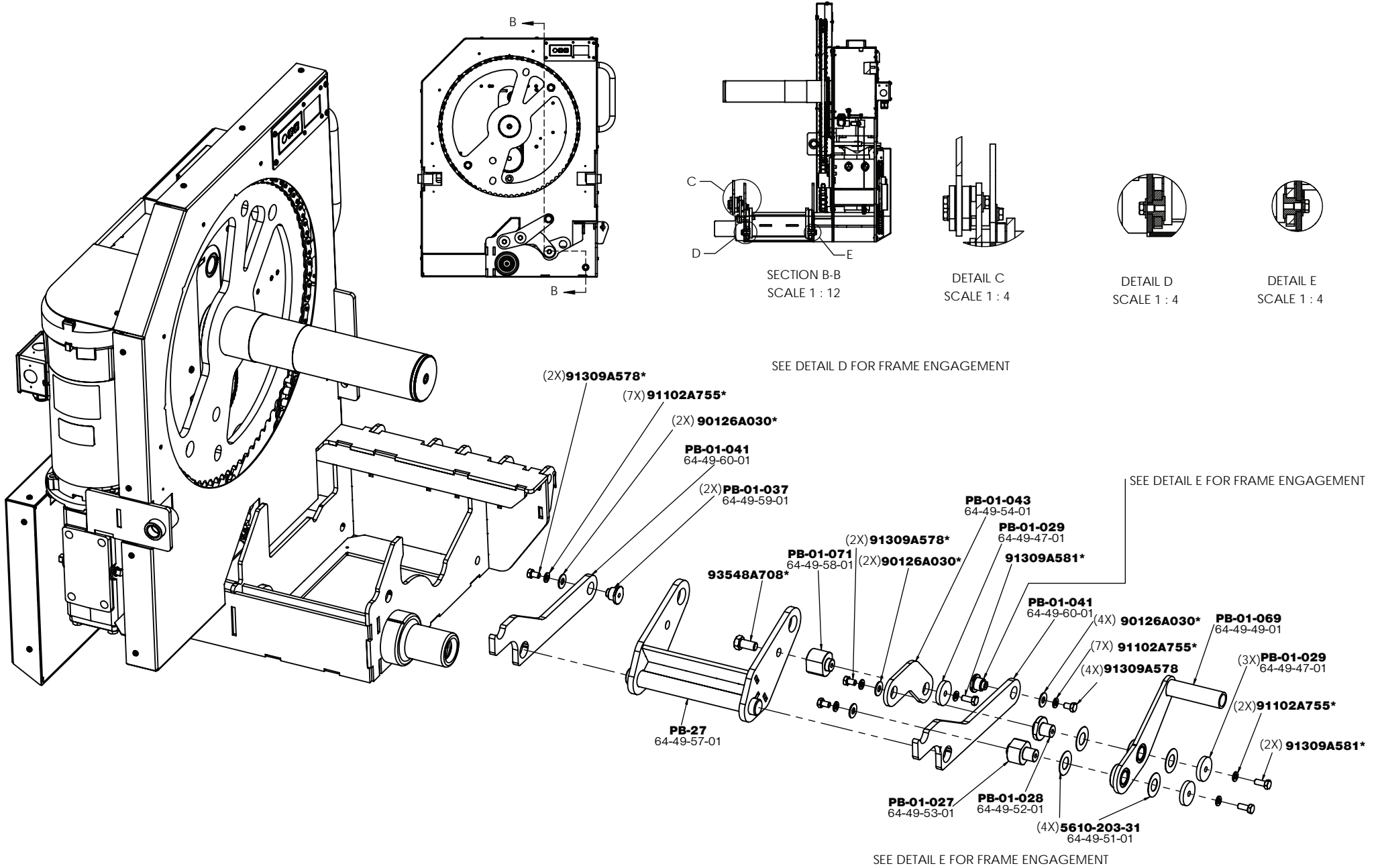


PLUG DISPLAY CABLE INTO BACK OF DISPLAY UNIT.

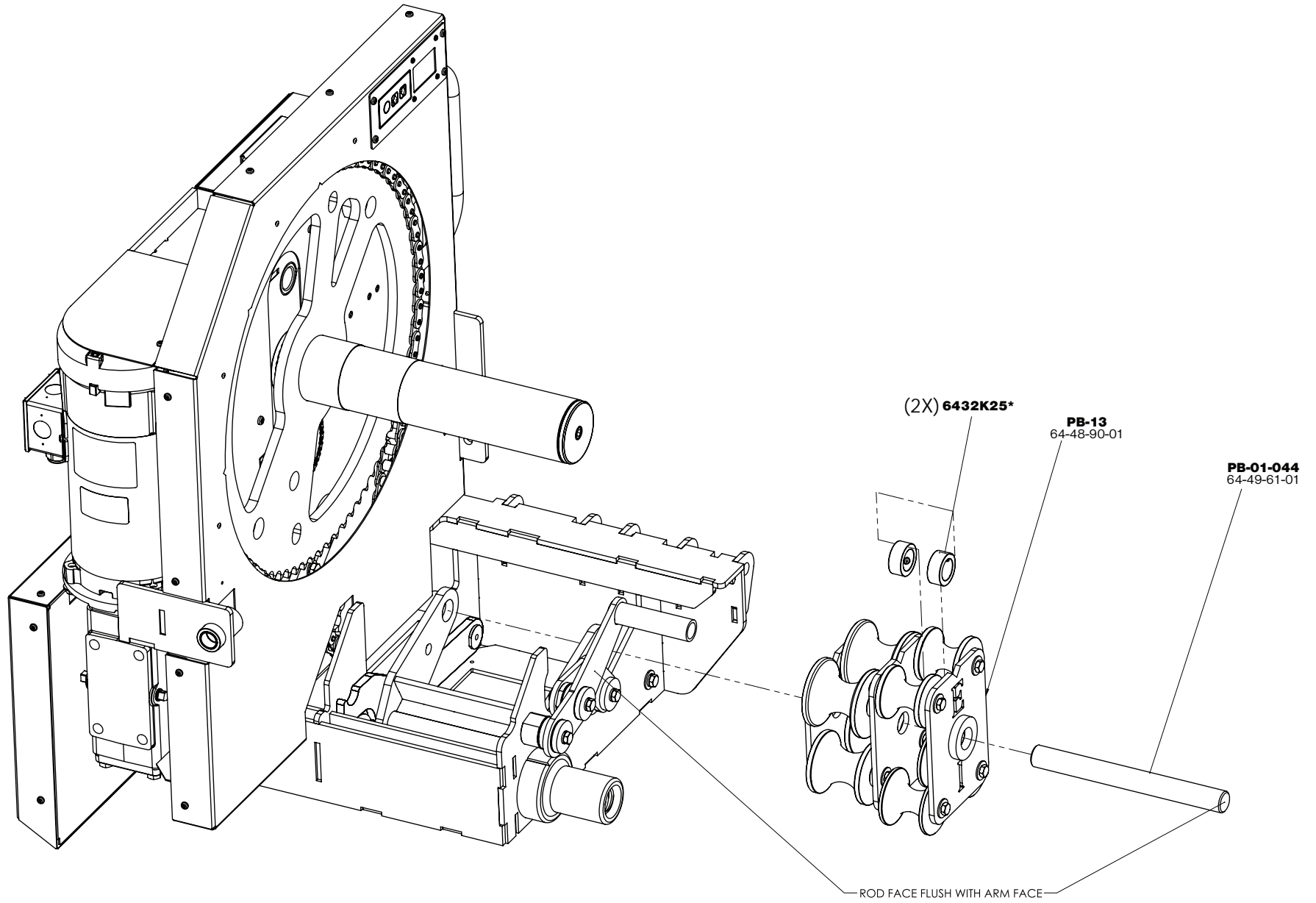
FEED DISPLAY CABLE THRU OPENING. ZIP TIE TO SLOT



\*McMaster Carr Part Number

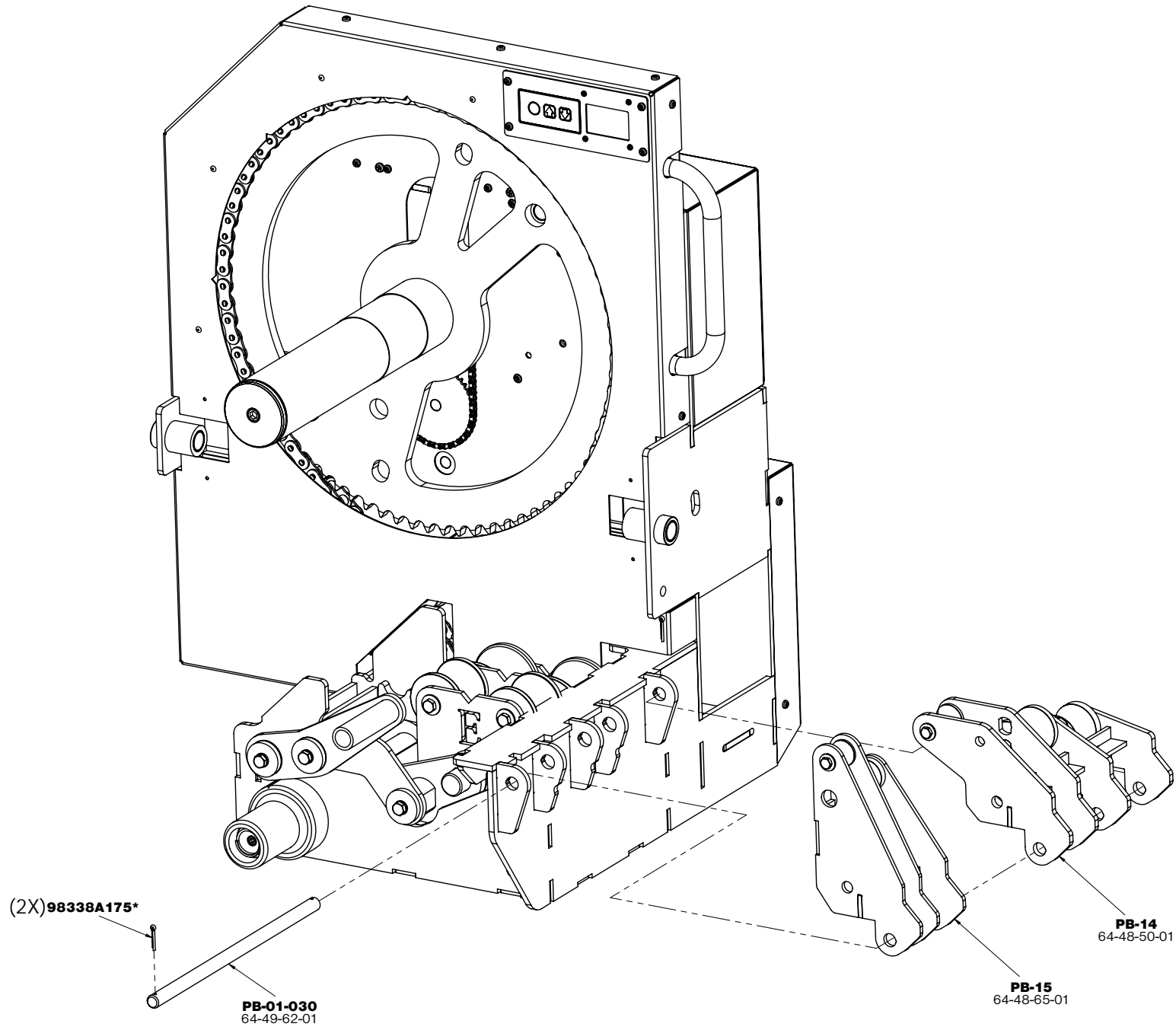


\*McMaster Carr Part Number



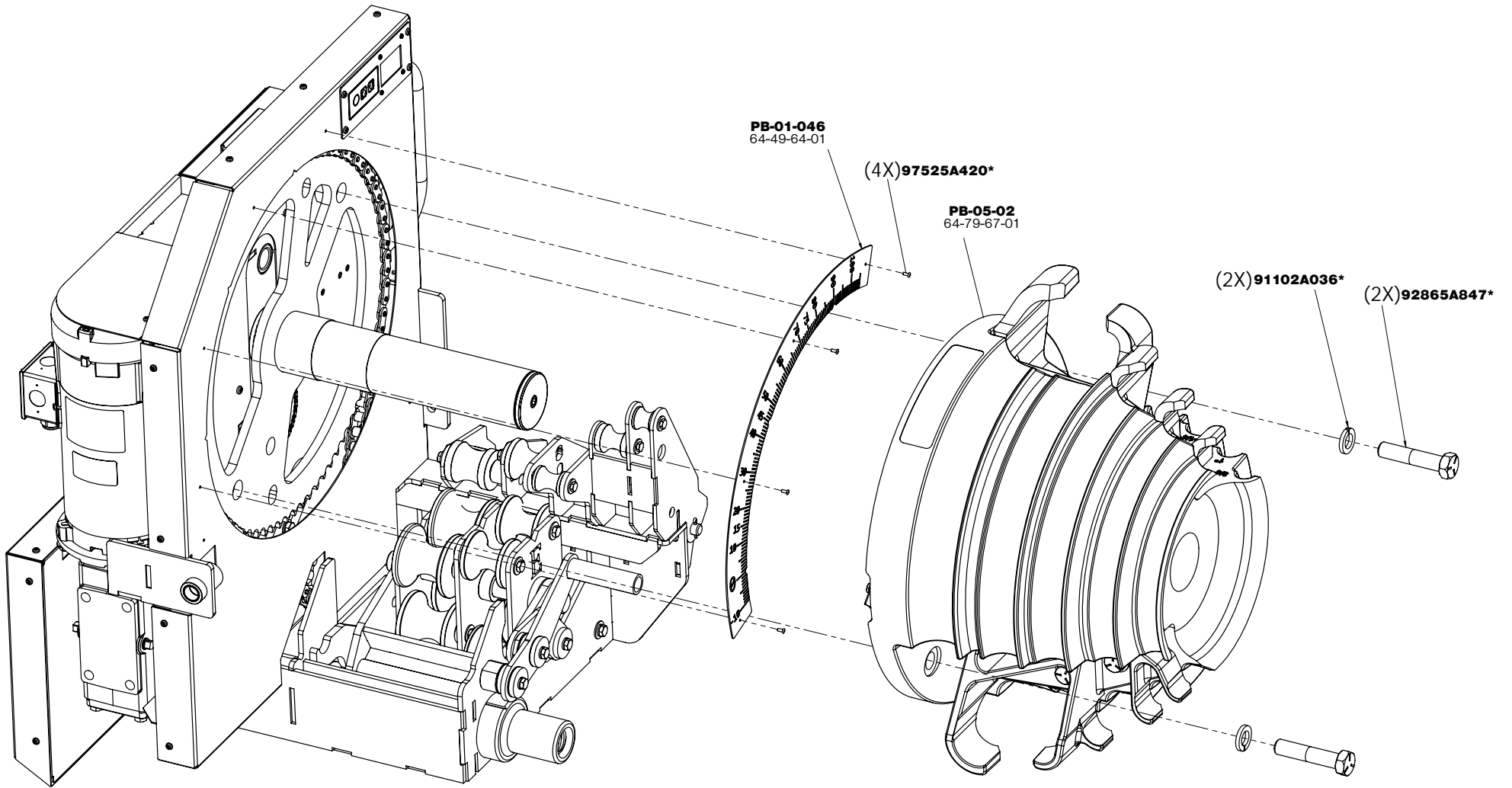
# PRESSURE ROLLERS

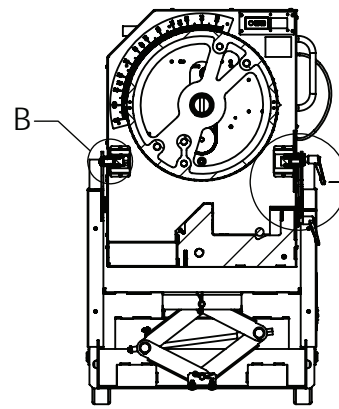
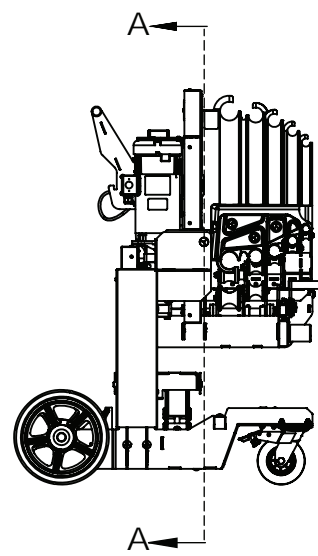
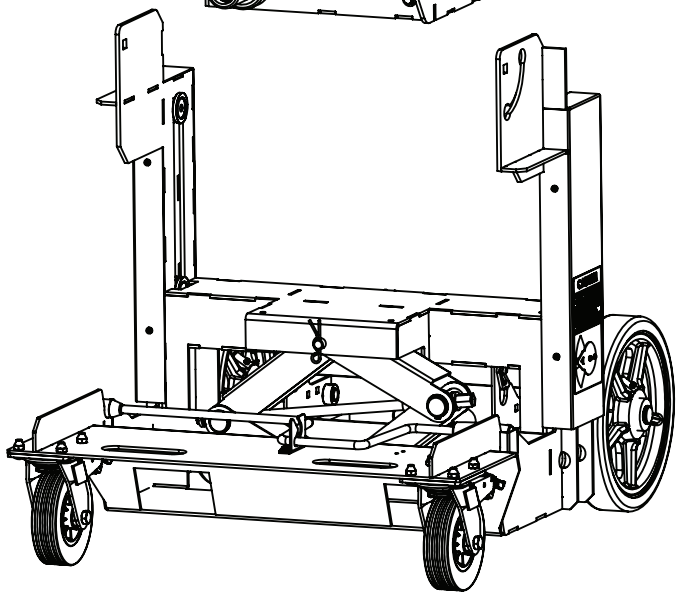
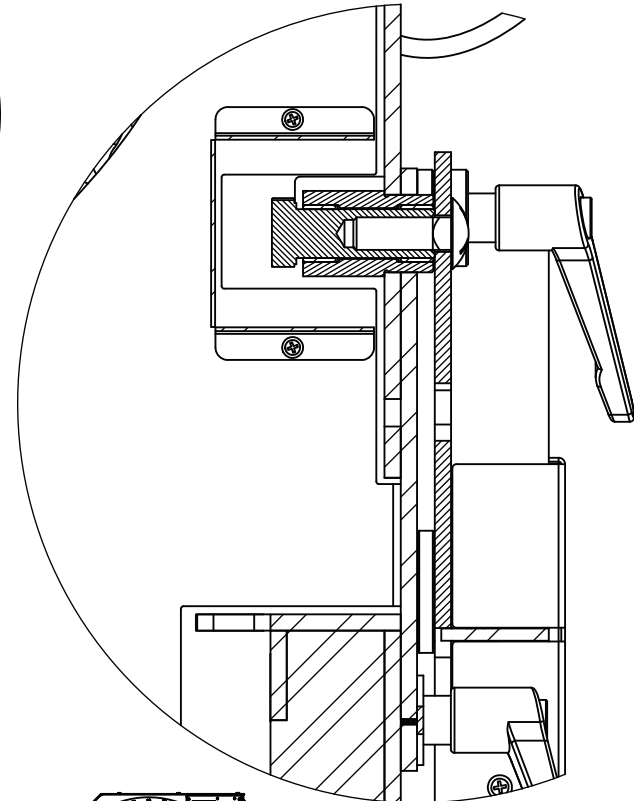
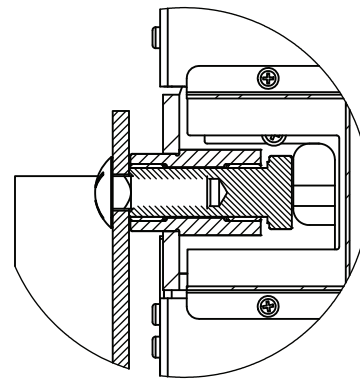
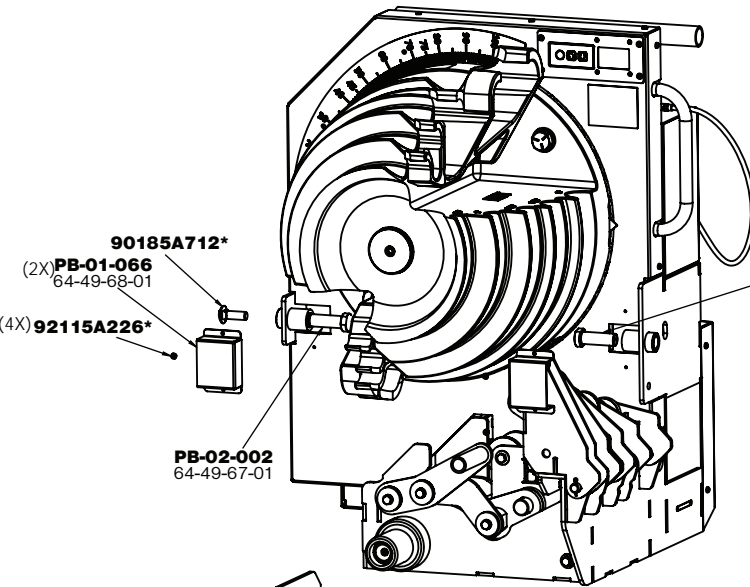




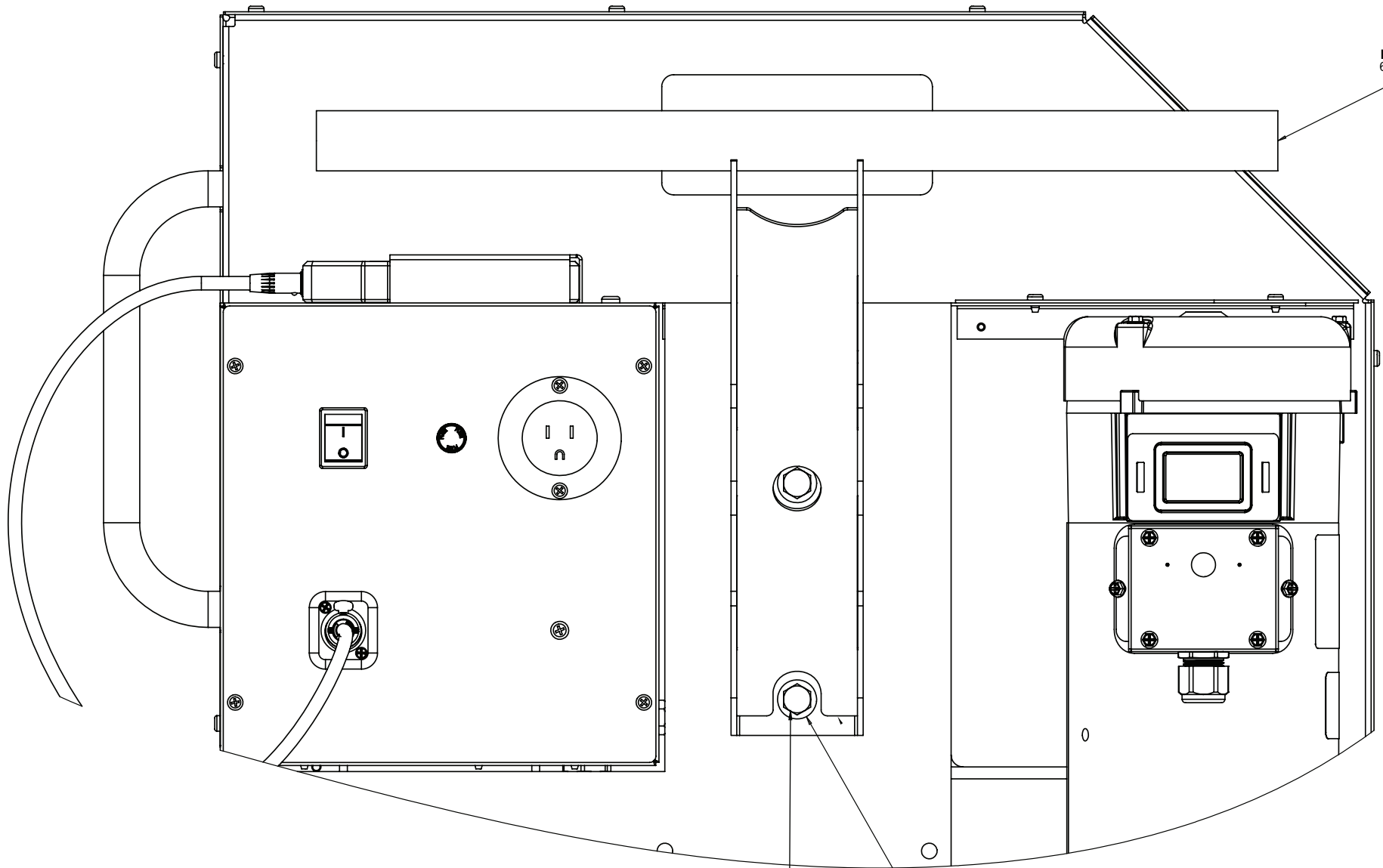
\*McMaster Carr Part Number

# SUPPORT ROLLERS





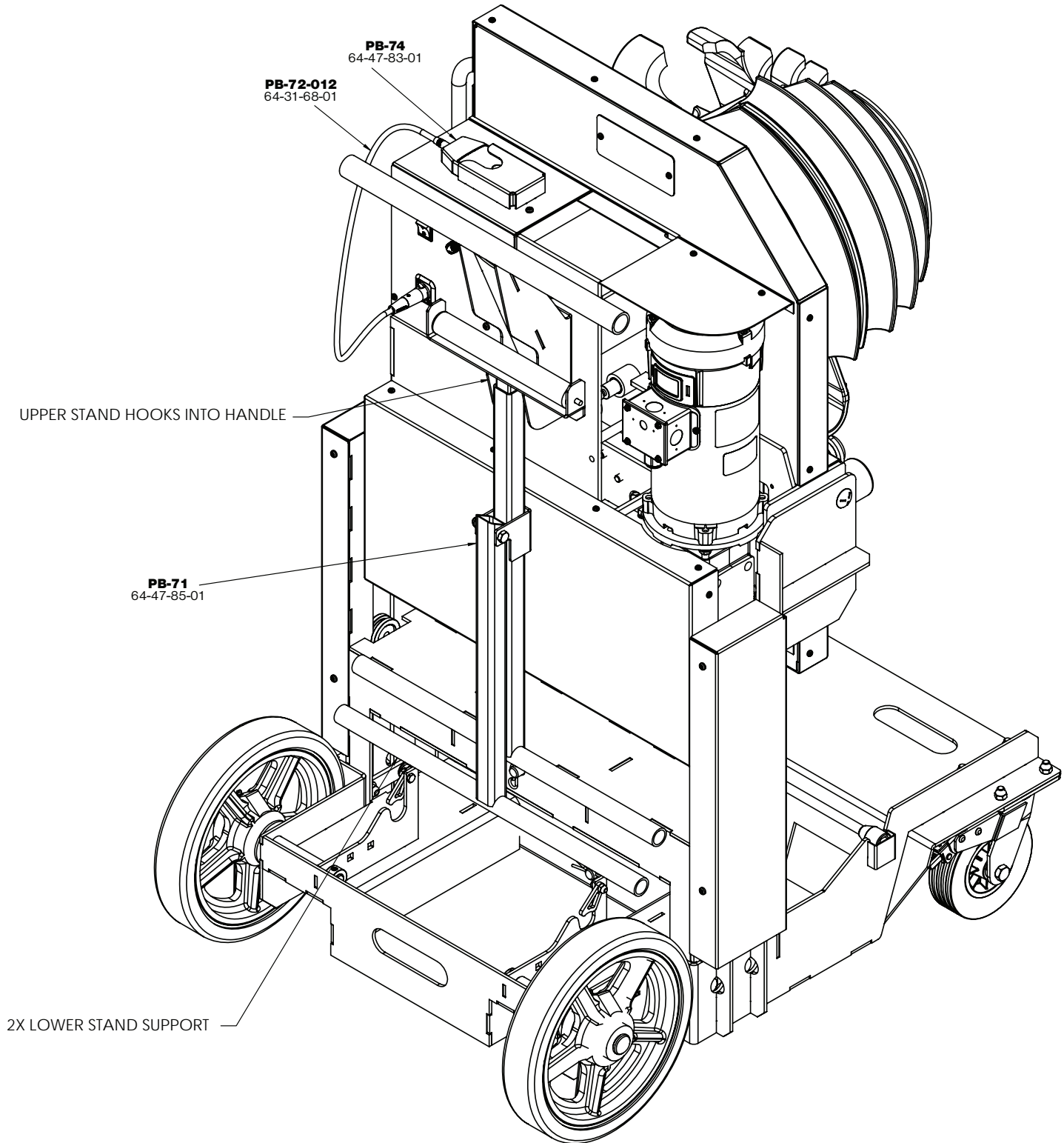
SECTION A-A  
SCALE 1 : 24

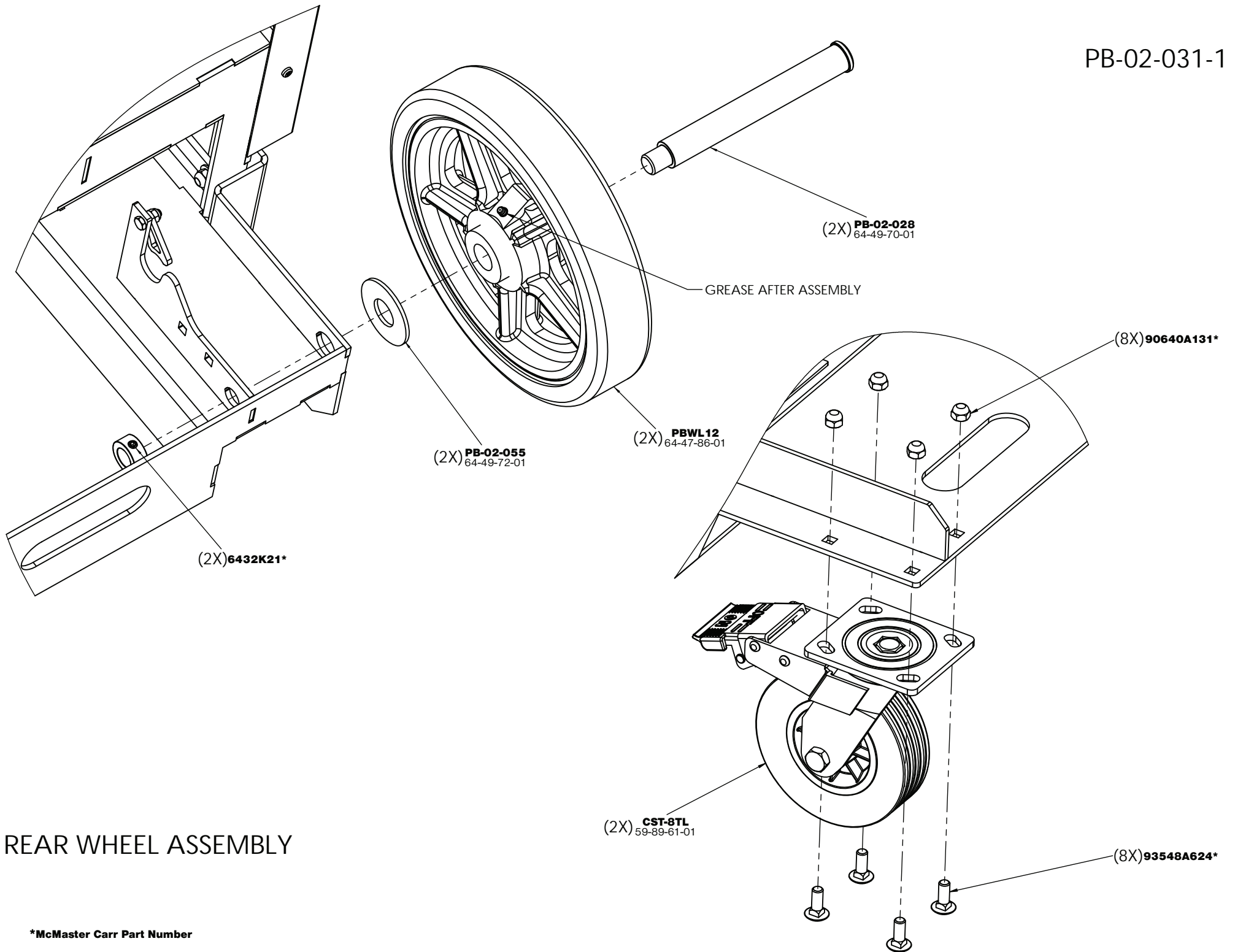


**PB-01-071**  
64-49-69-01

(2X) **91309A622\***

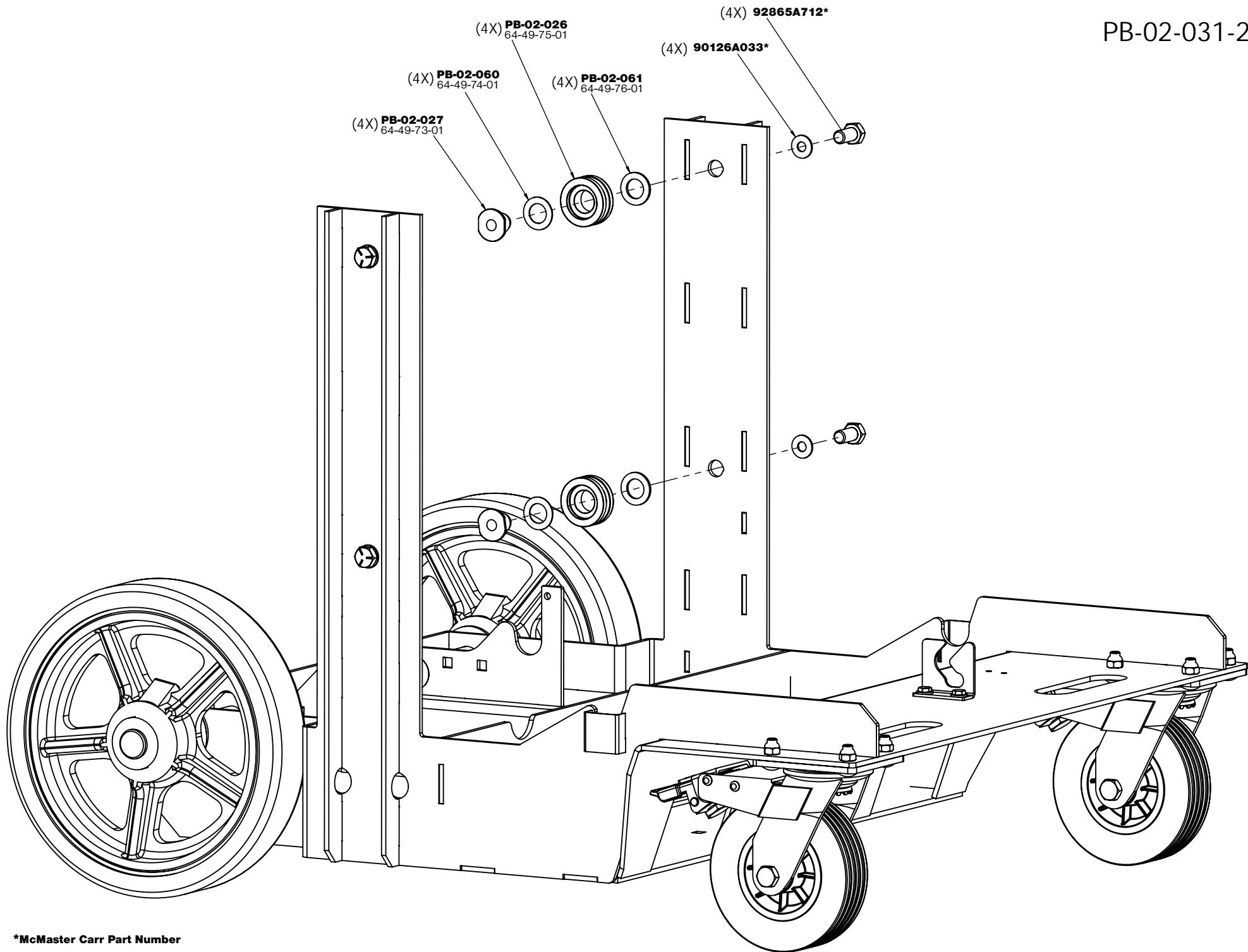
(2X) **90126A031\***

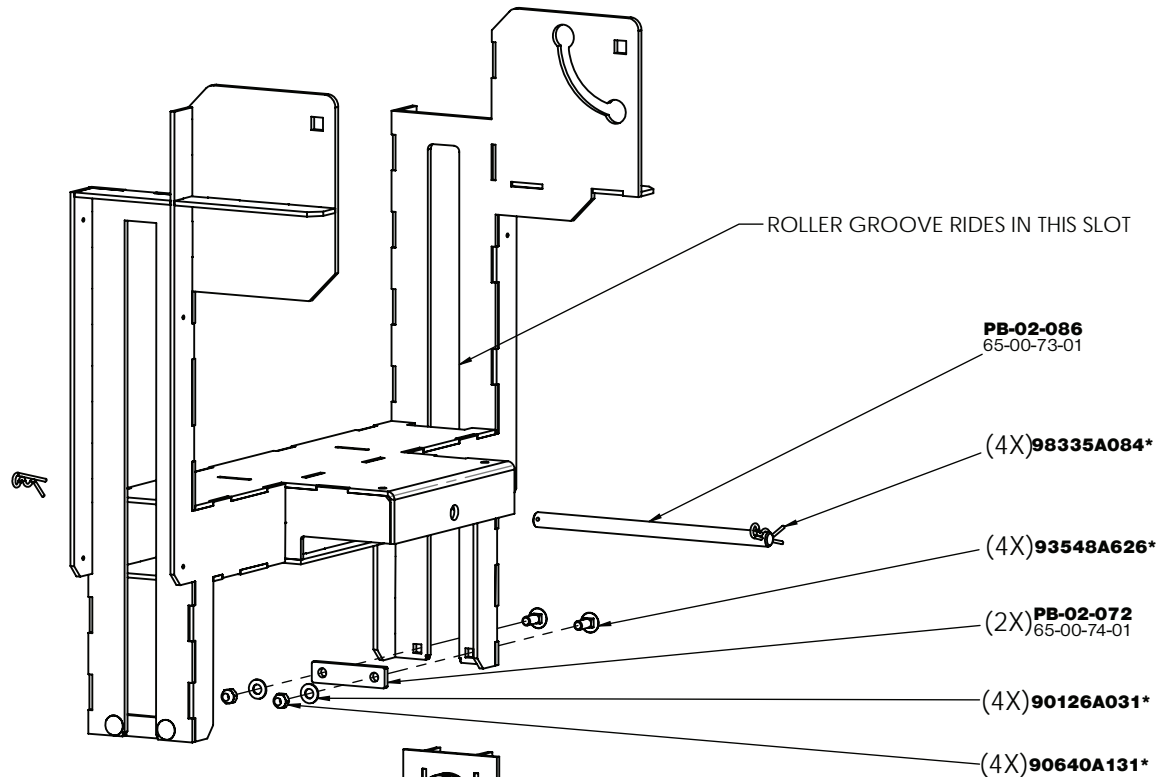




# REAR WHEEL ASSEMBLY

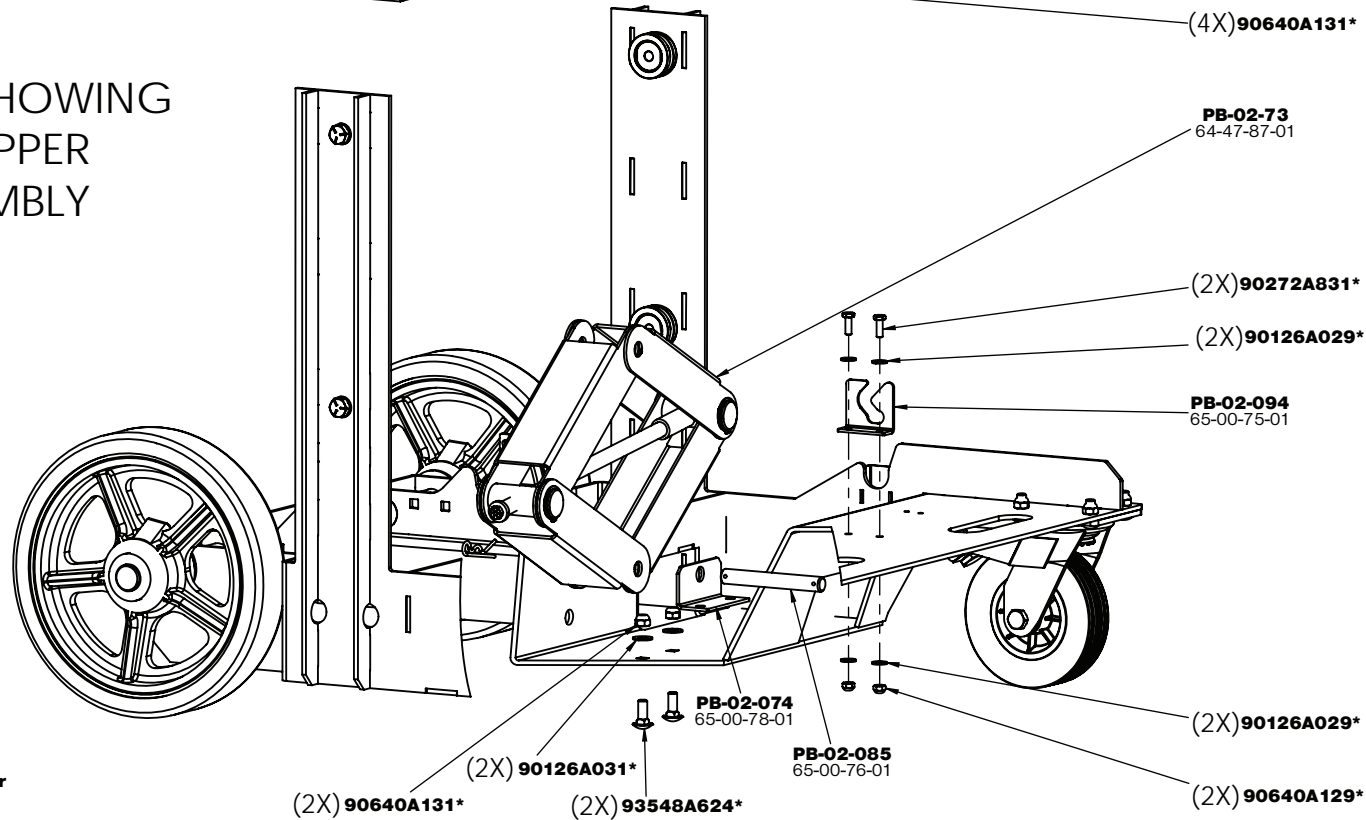
\*McMaster Carr Part Number





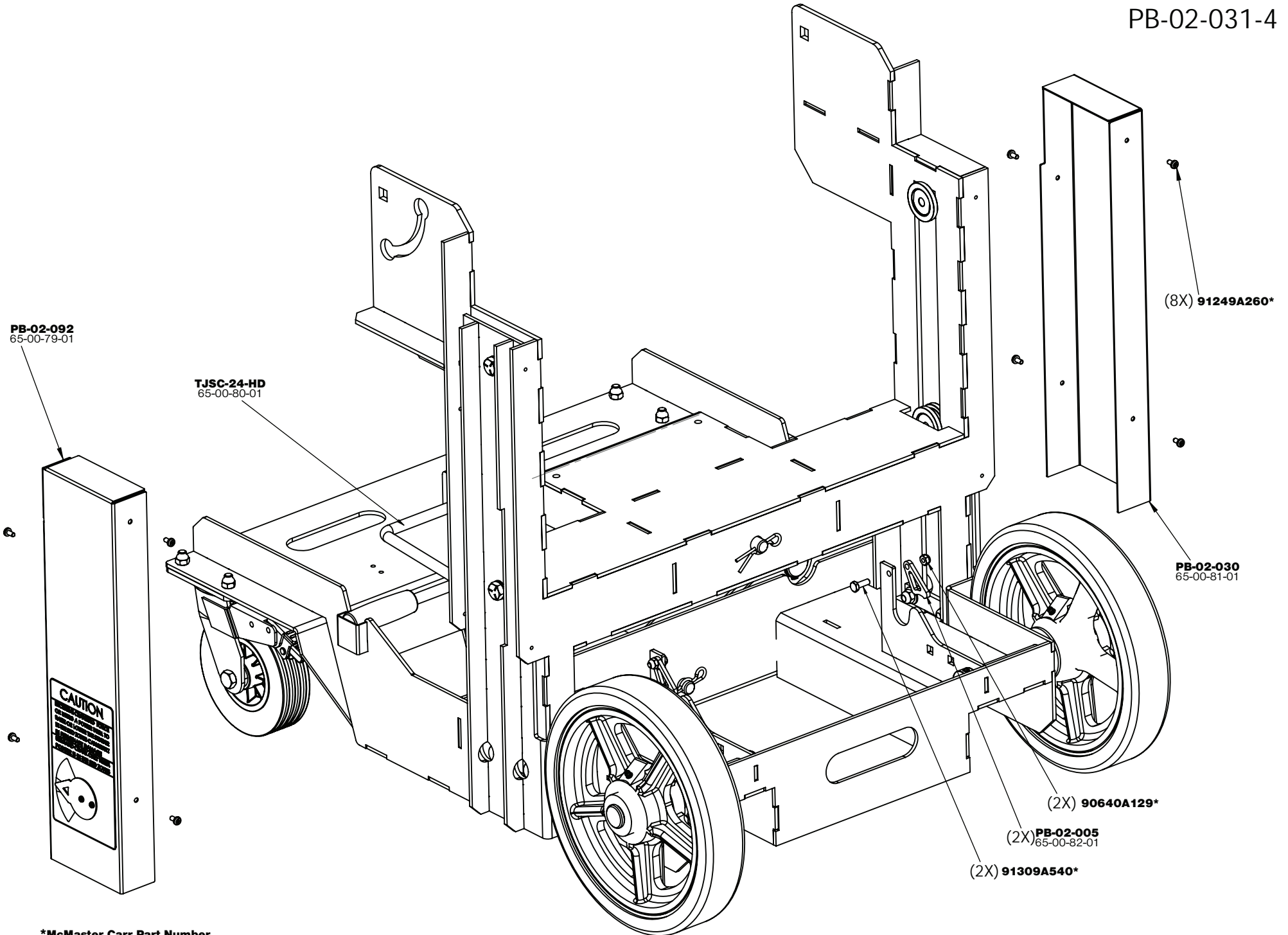
ATTACH AFTER THE UPPER ASSEMBLY IS LOWERED INTO PLACE

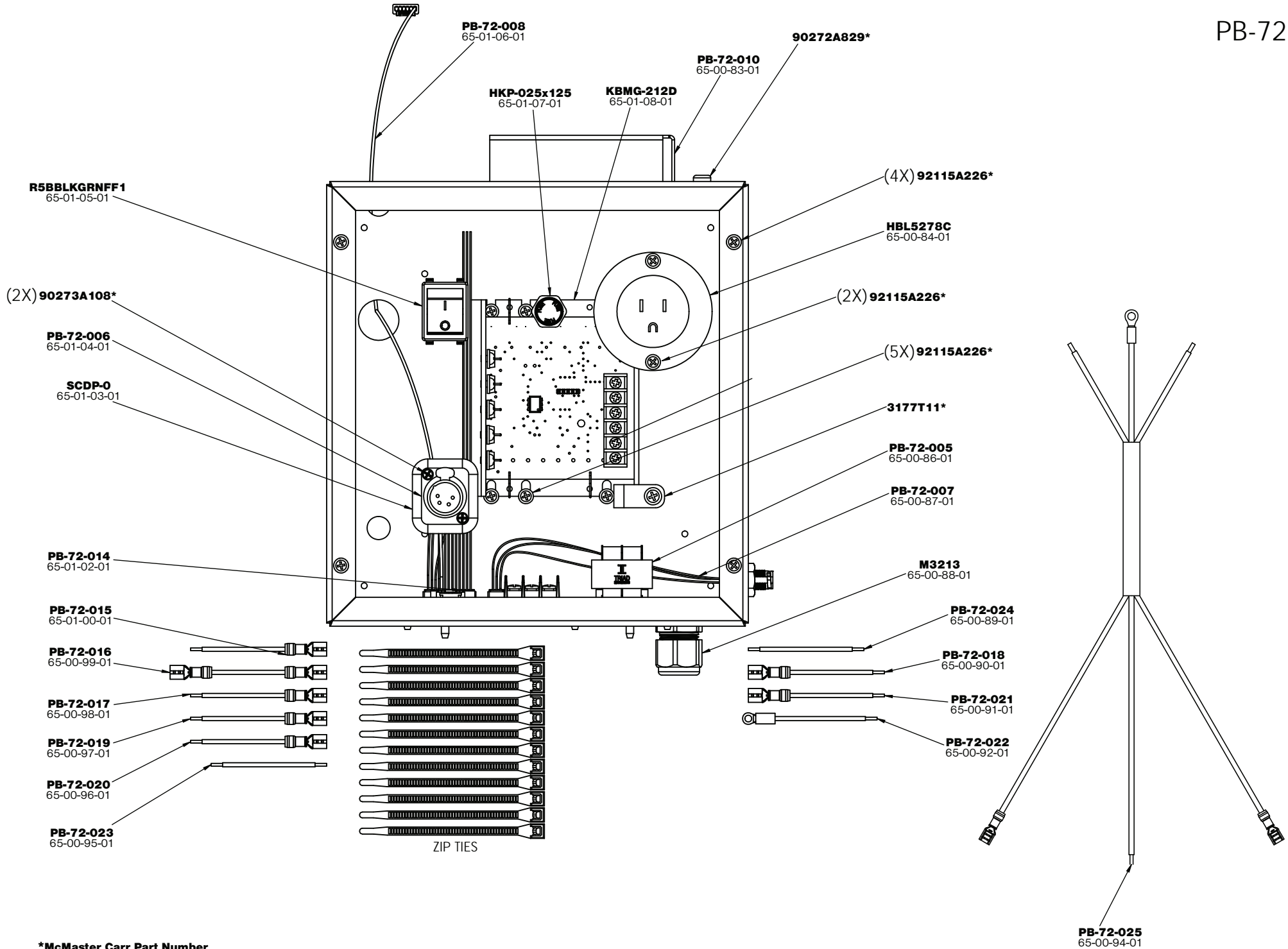
CUT AWAY SHOWING JACK AND UPPER FRAME ASSEMBLY



\*McMaster Carr Part Number







\*McMaster Carr Part Number

FRONT COVER NOT SHOWN