

Item:
VTC22/30/835/D-87
VTC22/30/840/D-87
VTC24/40/835/D-87
VTC24/40/840/D-87



LOW PROFILE TROFFER INSTALLATION INSTRUCTIONS

READ AND FOLLOW ALL SAFETY INSTRUCTIONS!



WARNING

- Make all electrical and ground connections in accordance with local codes or the National Electrical Code. If you are not familiar with these codes and requirements, consult a qualified electrician. This Professional should be familiar with the construction and operation of this product and hazards involved. Failure to do so may result in serious personal injury.
- To reduce the risk of fire, electric shock, personal injury, or property damage, please read and follow all safety instructions. If you do not understand these instructions or if any additional information is required, contact your local Topaz representative. Retain these instructions for maintenance reference.
- Do not exceed the allowed supply voltage marked on the luminaire label information
- Disconnect power at the circuit breaker panel before any installation.



CAUTION

- Do not expose wire to any sharp objects such as sheet metal to prevent wiring damage or abrasion.
- While the light is on, please avoid direct eye exposure.
- Combustible material should be kept away from fixture/LENS.
- Do not make or alter any open holes in any enclosure or any electrical component during installation.
- TO AVOID RISK OF BURN, BE SURE FIXTURE TEMPERATURE IS COOL ENOUGH TO TOUCH BEFORE HANDLING.
- Do not use when the enclosure is damaged or broken in any way.
- Do not alter, relocate or remove wiring, lamp holder power supply or any other electrical component.
- Pursuant to NEC 410.69, "Effective January 1, 2022, where control conductors are spliced, terminated, or connected in the same luminaire or enclosure as the branch-circuit conductors, the field-connected control conductor shall not be of a color reserved for the grounded branch circuit conductor or the equipment grounding conductor." And NEC 200.6(A)(2), "An insulated grounded conductor of 6 AWG or smaller shall be identified by one of the following means: (2) The insulated conductor shall have a continuous gray outer finish." For this reason, Topaz® will be transitioning from using Purple and Gray dimming wires, to Purple and Pink dimming wires.

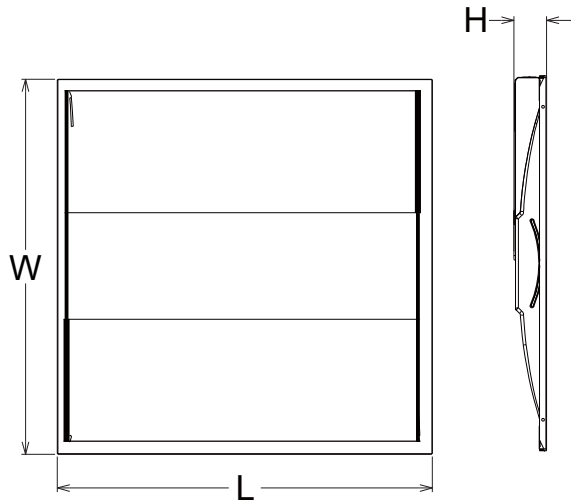
Model	Input Voltage	Frequency	Wattage	Rated Current @120V & 277V
VTC22/30/8xx/D-87	120-277V	50/60Hz	30W	0.275A/0.119A
VTC24/40/8xx/D-87	120-277V	50/60Hz	40W	0.367A/0.159A

Item:
VTC22/30/835/D-87
VTC22/30/840/D-87
VTC24/40/835/D-87
VTC24/40/840/D-87



LOW PROFILE TROFFER INSTALLATION INSTRUCTIONS

Model	L×W×H (in)
VTC22/30/8xx/D-87	23-3/4" X 23-3/4" X 2-1/16"
VTC24/40/8xx/D-87	47-3/4" X 23-3/4" X 2-1/16"



Installation Instructions:

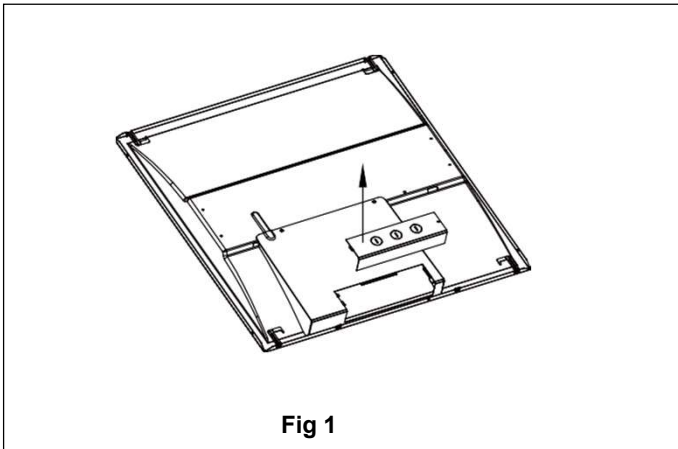


Fig 1

1. Turn off power at the circuit breaker before beginning any electrical work.
2. Remove the driver cover. **See Fig 1.**

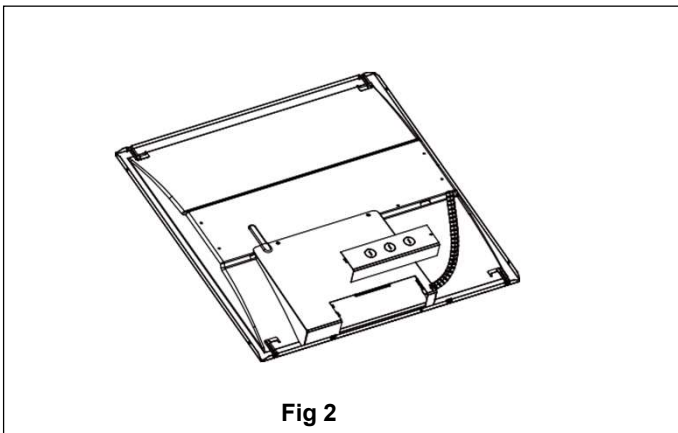


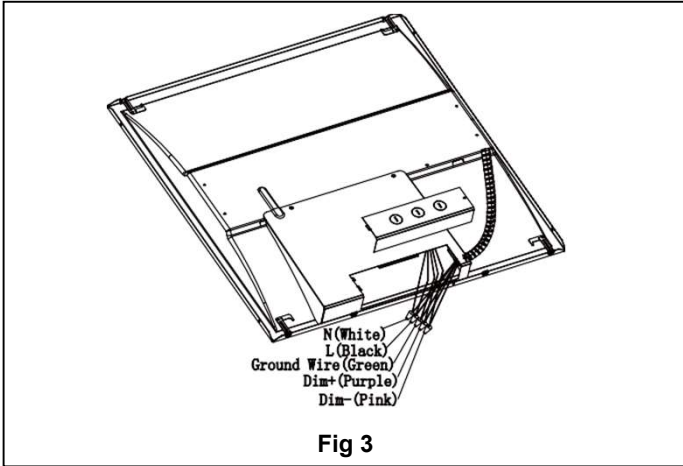
Fig 2

3. Connect the conduit to the wiring compartment. **See Fig 2.**

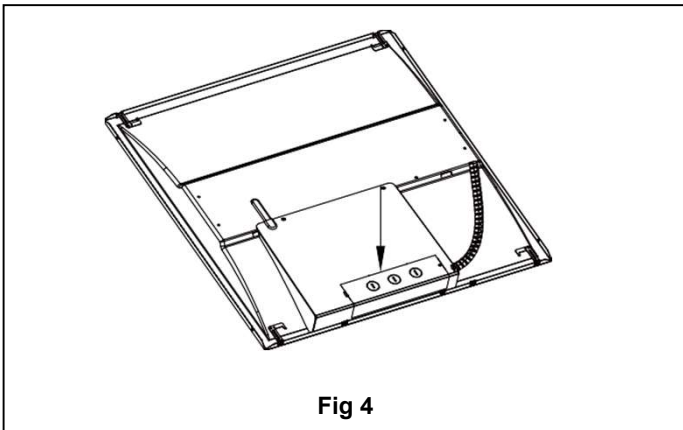
Item:
VTC22/30/835/D-87
VTC22/30/840/D-87
VTC24/40/835/D-87
VTC24/40/840/D-87



LOW PROFILE TROFFER INSTALLATION INSTRUCTIONS



4. Connect input power lines to fixture White to Neutral, Black to Line and Green to ground. If using a dimmer, connect Purple to Dim+ and Pink to Dim-. **See Fig 3.**



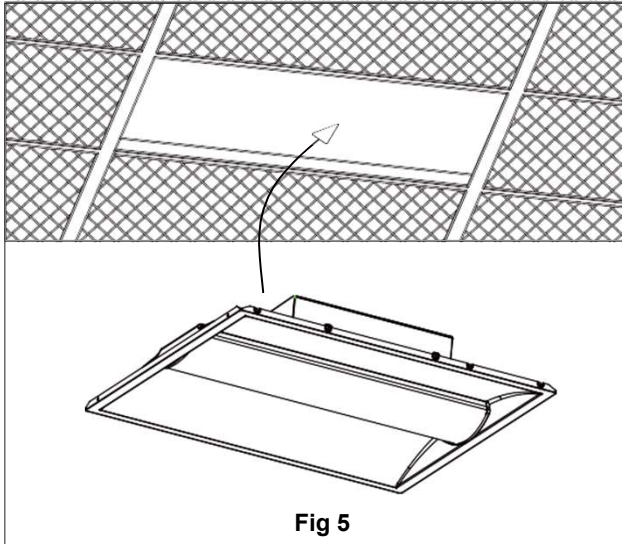
5. Carefully push wires into the wiring compartment. Reattach the driver cover making sure not to pinch any wires. **See Fig 4.**

Item:
VTC22/30/835/D-87
VTC22/30/840/D-87
VTC24/40/835/D-87
VTC24/40/840/D-87

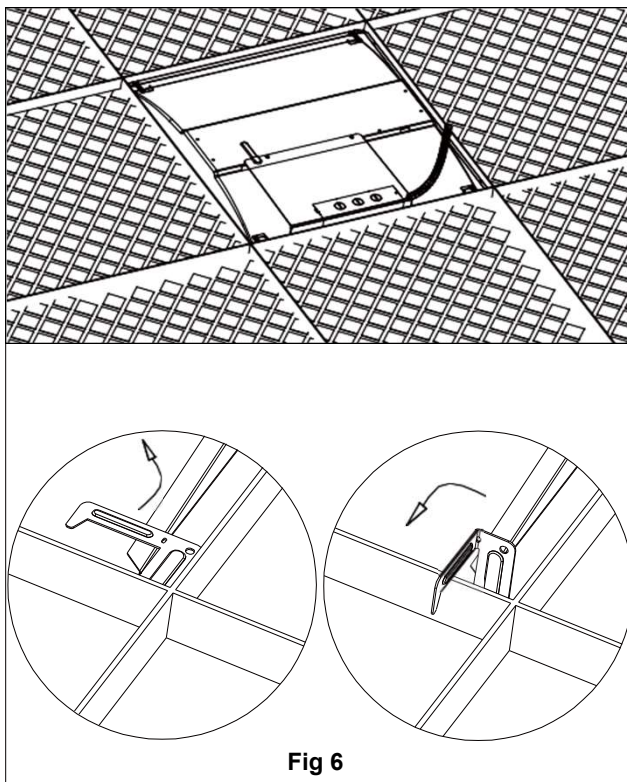


LOW PROFILE TROFFER INSTALLATION INSTRUCTIONS

Installation Into a T-Grid Ceiling:



1. Remove old fixture/ceiling tile if applicable.
2. Angle the fixture to pass through the hole in the ceiling and lay flat onto the T-grid.
See Fig 5.



3. Grid clips are provided for additional retention to ceiling system. Orient the tabs on the back of the fixture over the grid by bending 90 degrees perpendicular to the back of the fixture. Next bend tabs 90 degrees outward towards T-grid frame.
See Fig 6.
4. Turn on power.

****NOTE: THESE INSTRUCTIONS DO NOT ADDRESS ALL PERMUTATIONS THAT MAY EXIST IN INSTALLATION, MAINTENANCE, AND OPERATING ENVIRONMENT.**