



Southwire™

BOX SUPPORT SYSTEM STUD MOUNT BOX BRACKETS

APPLICATION

Universal box mounting brackets have a single stud face mount tab and can be used to support electrical boxes mounted to metal or wood studs. Designed for use with Southwire adjustable device rings (mud rings).

FEATURES

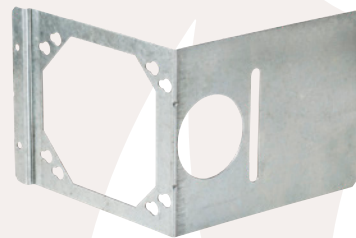
Accepts 4" and 4-11/16" square boxes and adjustable device rings
Centering notch on face of bracket

MATERIAL/FINISH

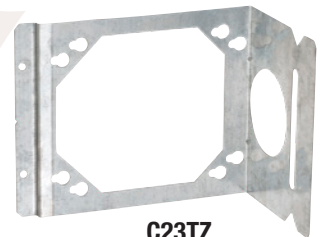
Steel/Galvanized

CERTIFICATIONS

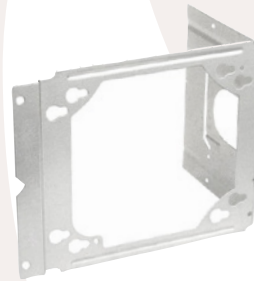
cULus Listed* or UL Listed**



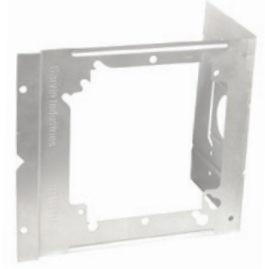
C6TZ



C23TZ



BB4-25

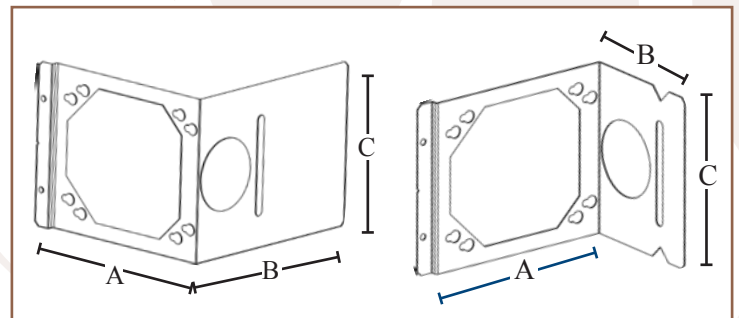


BMB1U



PART #	WALL DEPTH	A	B	C	BOX QTY.
C6TZ*	2-1/2" to 6"	3.50"	5.87"	5.625"	50
C23TZ*	2-1/2" to 3-5/8"	5.875"	4.50"	5.625"	50
BB5-6	2-1/2", 3-5/8", 5-1/2", 6"	3.50"	4.50"	5.625"	50
BB4-25	2-1/2" or 3-5/8"	6.50"	6.50"	11.40"	50
BMB1U**	2-1/2" or 3-5/8"	3.46"	5.38"	5.38"	50

*cULus listed | **Not UL listed



Rev. 0, 05/24

**BUILT FOR DURABILITY.
BUILT FOR RELIABILITY.
BUILT FOR WORK.™**

1-855-798-6657 | SOUTHWIRE.COM

©2024 Southwire Company, LLC. All rights reserved.
*Registered Trademark & ™Trademark of Southwire Company, LLC.