



Southwire™

ELECTRICAL SUPPORT SYSTEMS

THREADED T-GRID CLIP BOTTOM MOUNT

APPLICATION

The Threaded T-Grid Clips attach to acoustical T-Bar to provide a method for securing boxes, conduit, or bridle rings.

FEATURES

Easy no-tool installation
1/4" threaded hole

MATERIAL/FINISH

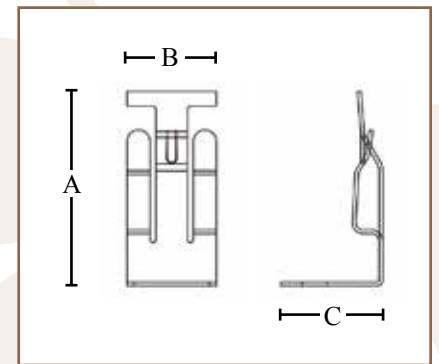
Spring Steel/GEOSEAL™

CERTIFICATIONS

UL Standard: UL 2239



ATA4ITZ



PART #	A	B	C	BOX QTY.
ATA4ITZ	2.14"	.984"	1.12"	100

No load rating, for positioning only. Additional support required per NEC 300.11.

Rev. 1, 03/23

**BUILT FOR DURABILITY.
BUILT FOR RELIABILITY.
BUILT FOR WORK.™**

1-855-798-6657 | SOUTHWIRE.COM

©2023 Southwire Company, LLC. All rights reserved.
*Registered Trademark & ™Trademark of Southwire Company, LLC.