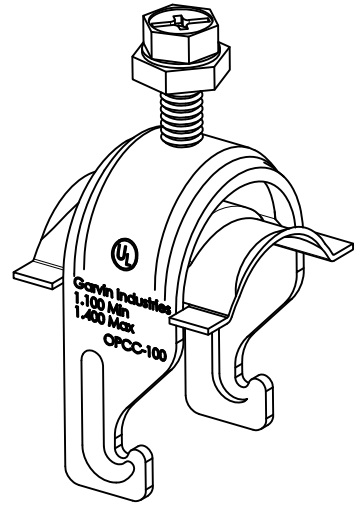
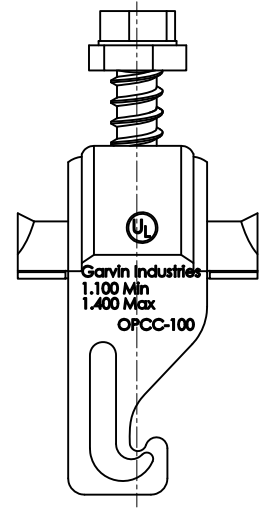
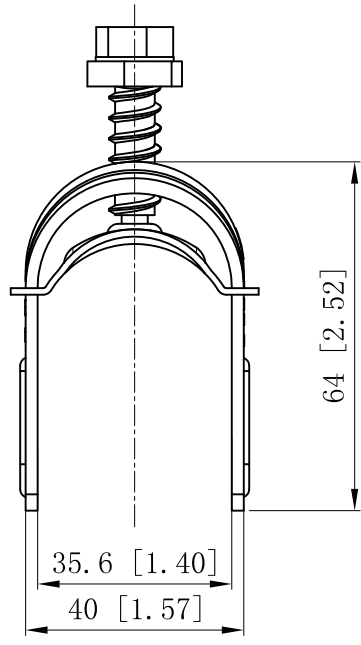
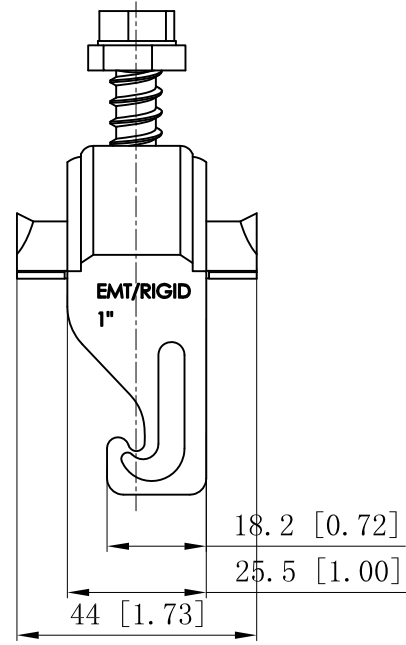
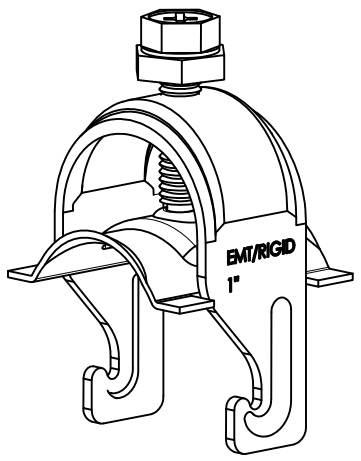
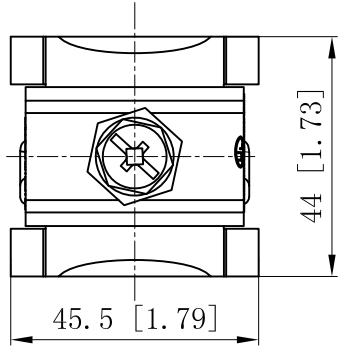


SIDES	BOTTOM
1 PCS #5/16-18 Hex Nut Installed	
1 PCS #5/16-18×1-1/4 Screws Installed	
Material:Steel-0.0866"-G60 Galvanized	



This data sheet is for reference only .GARVIN INDUSTRIES reserves the right to make changes to the design without prior notice.

DESCRIPTION
TRADE REFERENCE TERMS

STANDARD PACKING	<h1 style="text-align: center;">GARVIN INDUSTRIES</h1> <h2 style="text-align: center;">One Piece Strut Clamp</h2>		
TITLE			
SIZE	DWG NO.	REV	
A4	OPCC-100		
DATA SHEET			