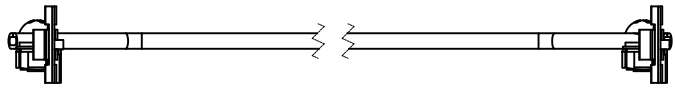
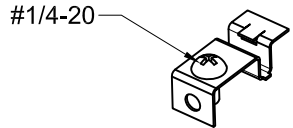
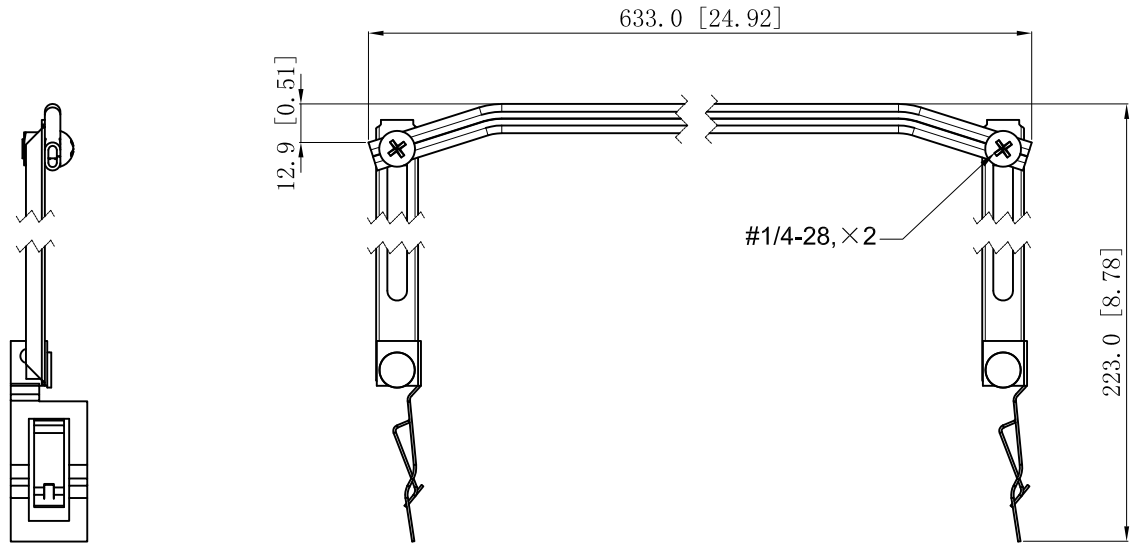
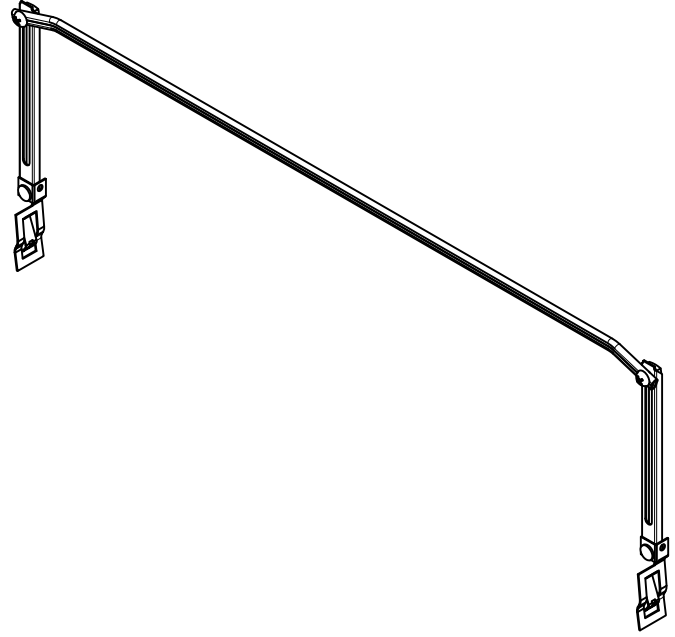
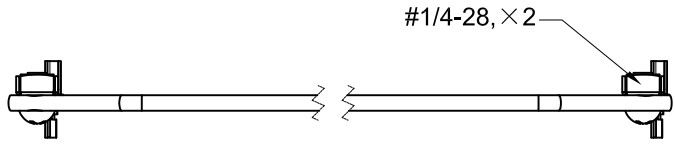


SIDES	BOTTOM
2 PCS 1/4-28×1/2 Screws Installed	
1 PCS 1/4-20×3/8 Screws Installed	
2 PCS #1/4-28 square nut Installed	
Material:Steel-G60 Galvanized	



This data sheet is for reference only .GARVIN INDUSTRIES reserves the right to make changes to the design without prior notice.

DESCRIPTION
TRADE REFERENCE TERMS

STANDARD PACKING
50 PCS

TITLE		GARVIN INDUSTRIES	
FIXED LENGTH BOX BAR HANGERS			
SIZE	DWG NO.		REV
A4		BHT1A	D
DATA SHEET			