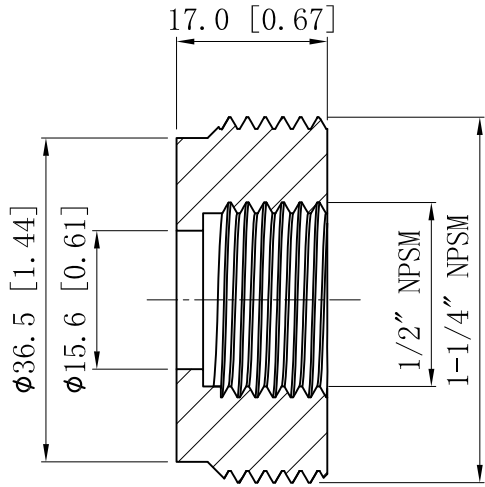
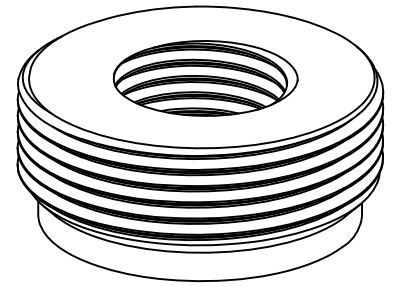
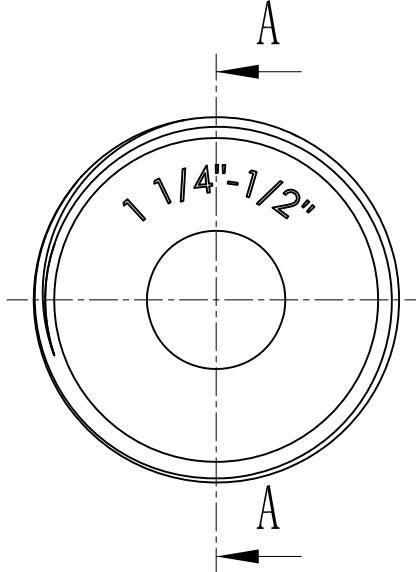


SIDES	BOTTOM
Material:Steel-316 Stainless steel	



CUTAWAY VIEW A-A



DESCRIPTION
TRADE REFERENCE TERMS

This data sheet is for reference only .GARVIN INDUSTRIES reserves the right to make changes to the design without prior notice.

STANDARD PACKING	GARVIN INDUSTRIES		
20 PCS	TITLE STEEL REDUCING BUSHING		
	SIZE A4	DWG NO. RB-12550-SS	REV A
	DATA SHEET		