



# Southwire™

## FEMALE ADAPTERS

### FEATURES

- The fitting consists of two female ends, one end is threaded and the other is solvent weld
- Both ends fit the same diameter conduit

### APPLICATION

- A connector often used to transition threaded metal conduit to PVC conduit
- Can also be used to join PVC to PVC

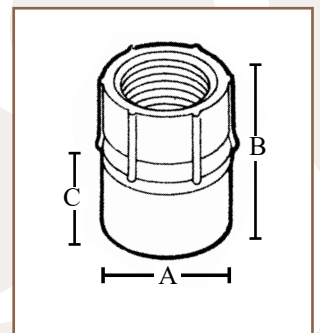
### STANDARD MATERIAL

- PVC



1022

PART #	SIZE	MASTER QTY.	WEIGHT/ CASE (LBS.)	A	B	C
1021	1/2"	200	6	1"	1.4375"	.6875"
1022	3/4"	125	6	1.25"	1.625"	.6875"
1023	1"	70	5	1.5625"	1.875"	.875"
1024	1-1/4"	40	5	2"	1.9375"	.9375"
1025	1-1/2"	30	4	2.25"	2.125"	.9375"
1026	2"	40	7	2.6875"	2.125"	.9375"
1027	2-1/2"	20	7	3.3125"	3"	1.3125"
1028	3"	40	22	4"	3.0625"	1.25"
1029	3-1/2"	30	18	4.50"	3"	1.1875"
1030TZ	4"	20	16	5"	3.25"	1.375"
1030A	5"	10	13	7.25"	4.375"	1.625"
1030B	6"	8	15	9.3125"	7"	2.25"



Rev. 0, 03/23

**BUILT FOR DURABILITY.  
BUILT FOR RELIABILITY.  
BUILT FOR WORK.™**

1-855-798-6657 | SOUTHWIRE.COM

©2023 Southwire Company, LLC. All rights reserved.  
\*Registered Trademark & ™Trademark of Southwire Company, LLC.