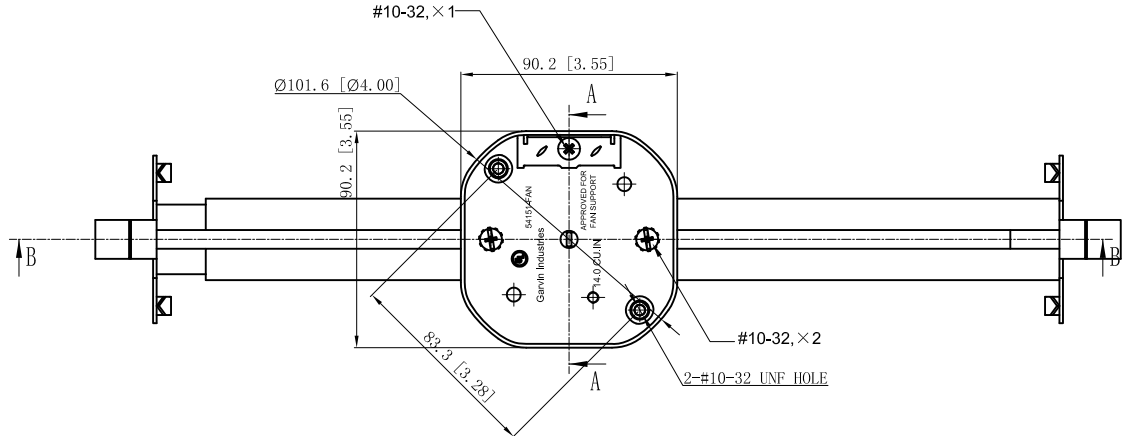
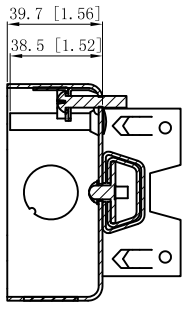
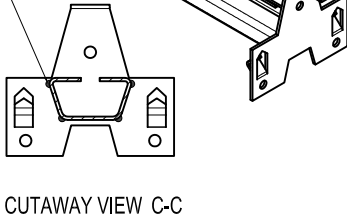
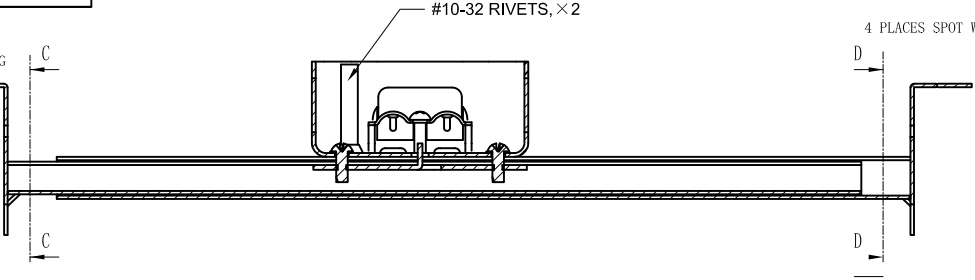
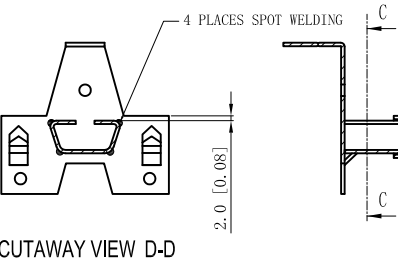
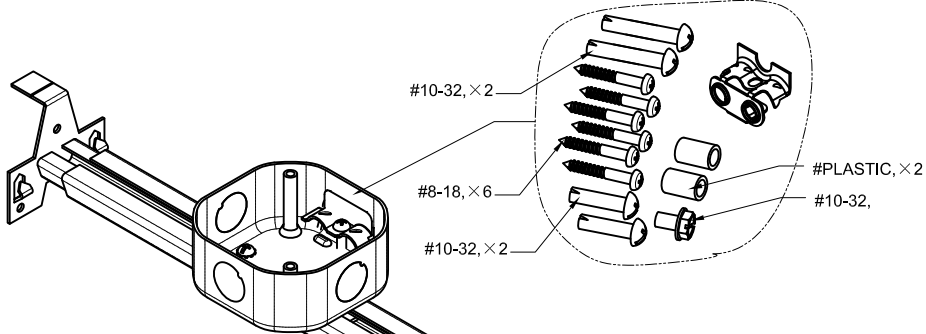


SIDES	BOTTOM
3 1/2" KNOCKOUTS	
2" KNOCKOUTS	
Material: Steel-0.0625"-G60 Galvanized	
3 PCS #10-32x1 Screws Installed	
2 PCS #10-32x1/2 Screws Installed	
1 PCS #10-32x3/8 Screws Installed	
2 PCS #10-32x3/4 Screws Installed	
6 PCS #8-18x1 tapping Screws Installed	
2 PCS #10-32 semi-tubular rivets	
2 PCS Plastic	



This data sheet is for reference only. GARVIN INDUSTRIES reserves the right to make changes to the design without prior notice.

DESCRIPTION
TRADE REFERENCE TERMS

STANDARD PACKING
25 PCS

GARVIN INDUSTRIES		
4"OCTAGON BOXS 1 1/2"DEEP		
SIZE A4	DWG NO. 54151-FANBH	REV A
DATA SHEET		