



**Southwire™**

# PLUNGER SWITCH COVER

## SINGLE

### FEATURES

- Weatherproof cover fits a single gang FS type box

### APPLICATIONS

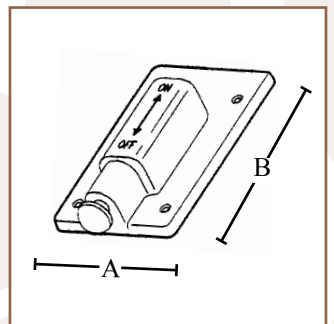
- Plunger operates a standard single or double pole 115 volt switch which is completely enclosed

### STANDARD MATERIAL

- PVC



1326



PART #	MASTER QTY.	WEIGHT/ CASE (LBS.)	A	B
1326	10	3	2.8125"	4.5625"

Rev. 0, 06/23

**BUILT FOR DURABILITY.  
BUILT FOR RELIABILITY.  
BUILT FOR WORK.™**

1-855-798-6657 | SOUTHWIRE.COM

©2023 Southwire Company, LLC. All rights reserved.  
\*Registered Trademark & ™Trademark of Southwire Company, LLC.