



Southwire™

40A IN-LINE CORD SETS

Shockshield in-line GFCI ensures protection from dangerous current leakage that can cause electrical shock and possible electrocution.



23250003-1

APPLICATIONS
Pressure Washers
Drain Snakes
Floor Cleaners
Industrial Appliances
Power Tools
Pumps
Boat Lifts
Pumps



GFCI WITH 4-6MA TRIP POINT

25MS TRIP RESPONSE TIME

MANUAL RESET

**PROVIDES COMPLIANCE WITH
NEC 2008 ARTICLE 590.6 FOR
TEMPORARY INSTALLATIONS**

**CUSTOM CABLE GAUGES, LENGTHS
AND TERMINATIONS AVAILABLE BY
SPECIAL ORDER**

**APPLICATIONS: PLANT
MAINTENANCE, EQUIPMENT
SERVICE AND CONSTRUCTION SITES**

MODEL #	ELECTRICAL RATING			CORD LENGTH	CORD GAUGE	WIRE TYPE	COLOR	RECEPTACLE COUNT	LIGHTED RECEPTACLE
23250003-1	240V	40A	60Hz	4'	8/3 AWG	S00W	BLACK	N/A	N/A

TECHNICAL DATA	
GROUNDING NEUTRAL	4 Ohms Typical
VOLTAGE SURGE WITHSTAND	3 Kv Ringwave Test and 4Kv/2Ka Surge Immunity Test
RADIO FREQUENCY NOISE SUSCEPTABILITY	Operates Within Normal Limits With 0.5 Volts Injected On Power Line 150Khz-230Mhz
ENDURANCE	3,000 Operations Minimum
OVERLOAD CURRENT	Six Times Rated Current
OPERATING TEMPERATURE RANGE	-35°C to 66°C
EFFECT OF 10 AMP TURN DC SOCK FAULT TRIP	5% Maximum Trip Level Variation on Ground
INSULATION VOLTAGE	1500 Vrms - 1 Min.
POWER INDICATION	Lighted Indicator

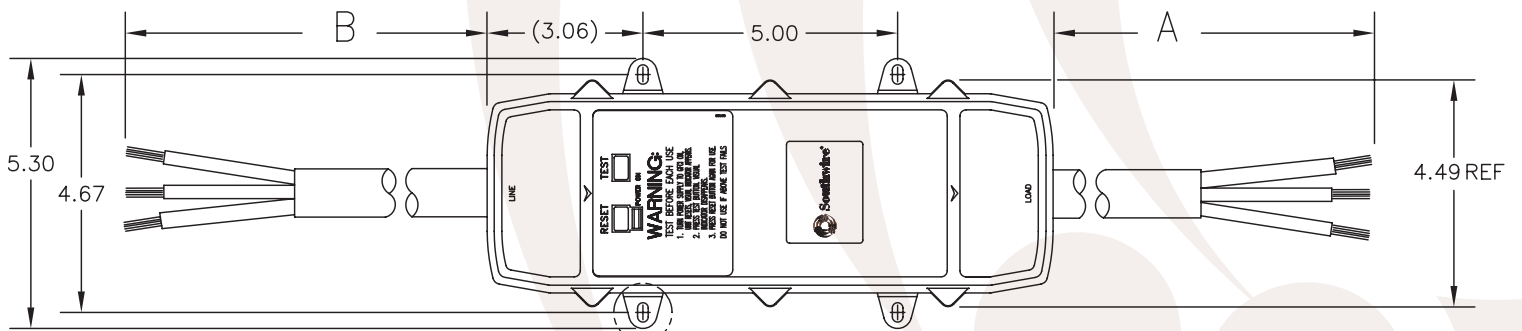
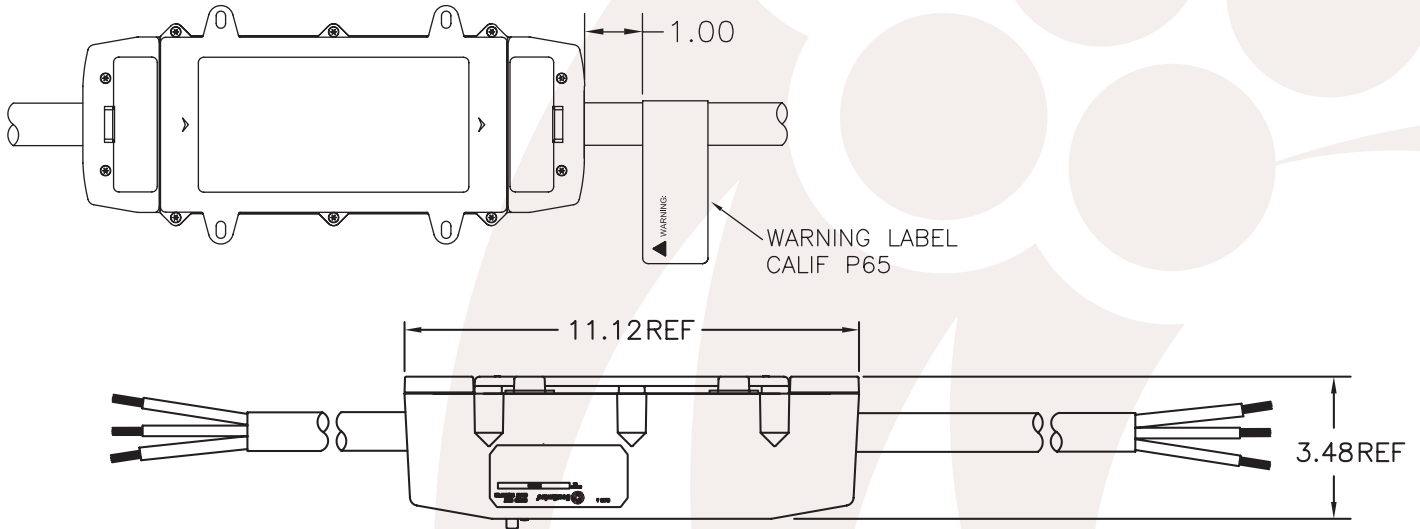
**BUILT FOR DURABILITY.
BUILT FOR RELIABILITY.
BUILT FOR WORK.™**

1-855-798-6657 | SOUTHWIRE.COM

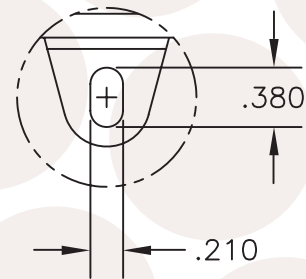
©2023 Southwire Company, LLC. All rights reserved.
*Registered Trademark & ™Trademark of Southwire Company, LLC.



Southwire™



SEE VIEW A



VIEW A
SCALE: 1/1
4 PLACES

**BUILT FOR DURABILITY.
BUILT FOR RELIABILITY.
BUILT FOR WORK.™**

1-855-798-6657 | SOUTHWIRE.COM

©2023 Southwire Company, LLC. All rights reserved.
*Registered Trademark & ™Trademark of Southwire Company, LLC.