



Southwire™

DIE-CAST ALUMINUM COVERS

SINGLE GANG COVERS

DUPLEX HORIZONTAL

FEATURES

- Heavy aluminum cast cover with a spring loaded lid
- Weather seal gasket to block moisture
- Superior commercial quality die cast metal construction
- Installation instructions included
- Gray, bronze or white

APPLICATIONS

- UL listed for wet locations
- Will fit all duplex receptacles in single outlet boxes

STANDARD MATERIAL

- Precision die cast aluminum

STANDARD FINISH

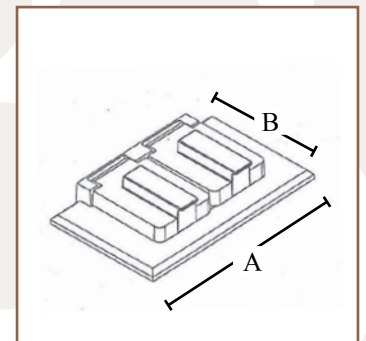
- Premium powder coat finish



WCH1DUPW



UL® Listed and 2011 NEC® and
NEMA® 3R Compliant
NEMA FB 1



PART #	COLOR	MASTER QTY.	WEIGHT/ CASE (LBS.)	A	B
WCH1DUP	GRAY	50	35	4.56 "	2.81"
WCH1DUPB	BRONZE	50	35	4.56 "	2.81"
WCH1DUPW	WHITE	50	35	4.56 "	2.81"

Rev. 0, 06/23

**BUILT FOR DURABILITY.
BUILT FOR RELIABILITY.
BUILT FOR WORK.™**

1-855-798-6657 | SOUTHWIRE.COM

©2023 Southwire Company, LLC. All rights reserved.
*Registered Trademark & ™Trademark of Southwire Company, LLC.