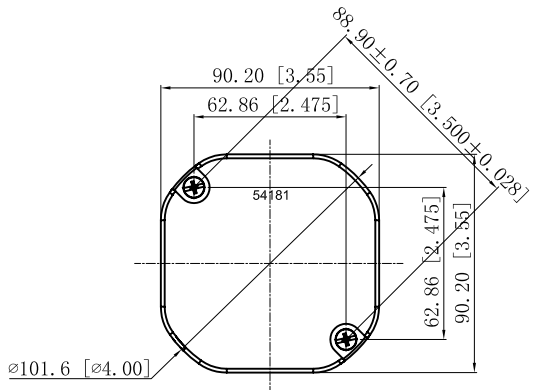
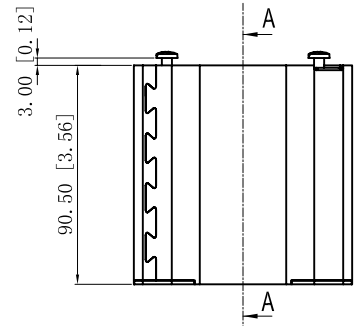
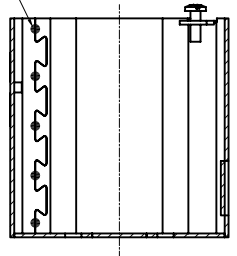


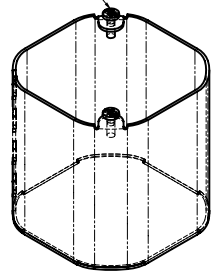
SIDES	BOTTOM
2 PCS 8-32×1/2 Screws Installed	
Material:Steel-0.0625"-G60 Galvanized	



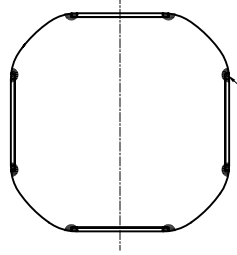
5 PLACES SPOT WELDING



#8-32 UNC, × 2



8 PLACES SPOT WELDING



This data sheet is for reference only .GARVIN INDUSTRIES reserves the right to make changes to the design without prior notice.

TRADE REFERENCE TERMS

STANDARD PACKING
25 PCS

GARVIN INDUSTRIES		
TITLE 4"OCTAGON BOXS 3-1/2"DEEP		
SIZE A4	DWG NO. 54181-BLNK	REV
DATA SHEET		