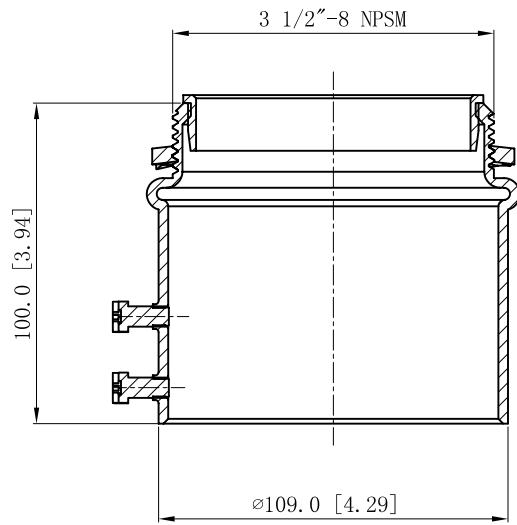
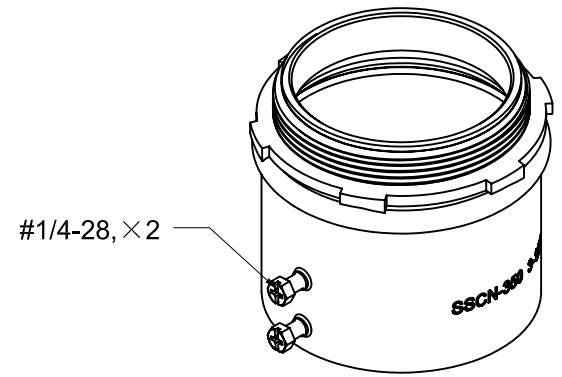
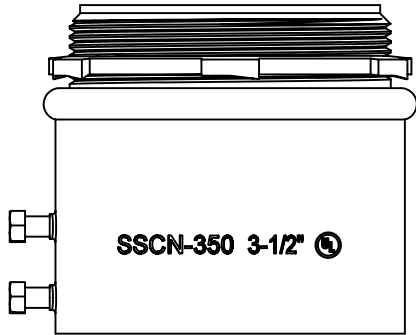
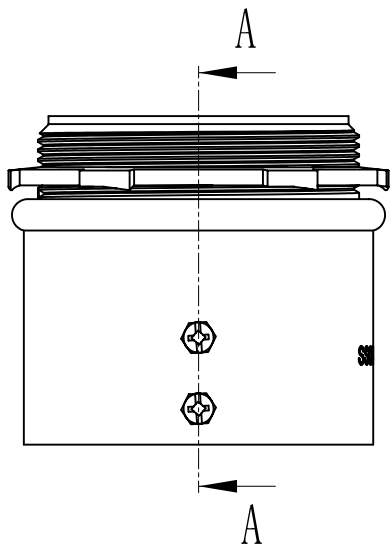


SIDES	BOTTOM
2 pcs #1/4-28×1/2 Screws Installed	
Material:Steel-Welding tube, zinc plated	



CUTAWAY VIEW A-A



DESCRIPTION
TRADE REFERENCE TERMS

STANDARD PACKING
5 PCS

This data sheet is for reference only .GARVIN INDUSTRIES reserves the right to make changes to the design without prior notice.			
<b>GARVIN INDUSTRIES</b>			
TITLE STEEL EMT SET SCREW CONNECTORS			
SIZE A4	DWG NO.	SSCN-350I	REV A
DATA SHEET			