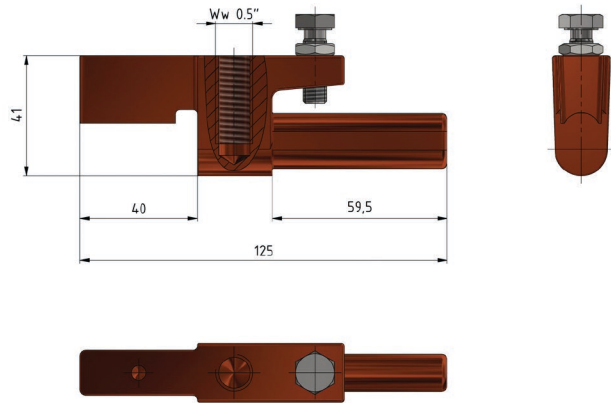
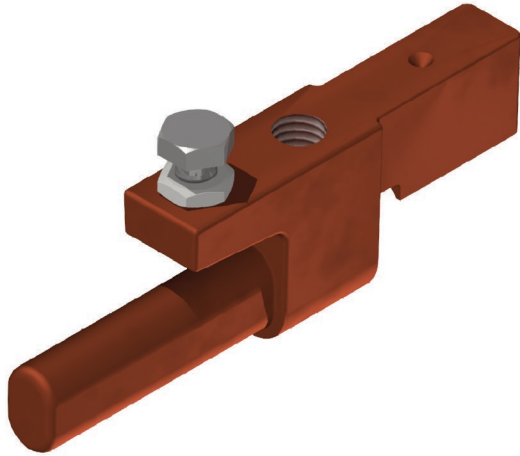


Clamping piece complete

Item number D0837-01



Material and weight

Weight: 0.410 kg

Material: Cu

Comments

- Connection of insulation rod to Cu-tube
- With hexagon bolt and nut M8



Southwire™



A COLAS RAIL COMPANY

Contact Us: Transit@southwire.com