

Items:
F-LUHB/EMKIT

EMERGENCY BATTERY KIT INSTALLATION INSTRUCTIONS

READ AND FOLLOW ALL SAFETY INSTRUCTIONS!



WARNING

- Make all electrical and ground connections in accordance with local codes or the National Electrical Code. If you are not familiar with these codes and requirements, consult a qualified electrician. This Professional should be familiar with the construction and operation of this product and hazards involved. Failure to do so may result in serious personal injury.
- To reduce the risk of fire, electric shock, personal injury, or property damage, please read and follow all safety instructions. If you do not understand these instructions or if any additional information is required, contact your local Topaz representative. Retain these instructions for maintenance reference.
- Do not exceed the allowed supply voltage marked on the luminaire label information.
- Disconnect power at the circuit breaker panel before any installation.

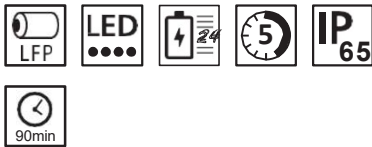


CAUTION

- Do not expose wire to any sharp objects such as sheet metal to prevent wiring damage or abrasion.
- While the light is on, please avoid direct eye exposure.
- Combustible material should be kept away from fixture/LENS.
- Do not make or alter any open holes in any enclosure or any electrical component during installation.
- Do not use when the enclosure is damaged or broken in any way.
- Do not alter, relocate or remove wiring, lamp holder power supply or any other electrical component.
- Pursuant to NEC 410.69, “Effective January 1, 2022, where control conductors are spliced, terminated, or connected in the same luminaire or enclosure as the branch-circuit conductors, the field-connected control conductor shall not be of a color reserved for the grounded branch circuit conductor or the equipment grounding conductor.” And NEC 200.6(A)(2), “An insulated grounded conductor of 6 AWG or smaller shall be identified by one of the following means: (2) The insulated conductor shall have a continuous gray outer finish.” For this reason, Topaz® will be transitioning from using Purple and Gray dimming wires, to Purple and Pink dimming wires.

Items:
F-LUHB/EMKIT

EMERGENCY BATTERY KIT INSTALLATION INSTRUCTIONS



Product description

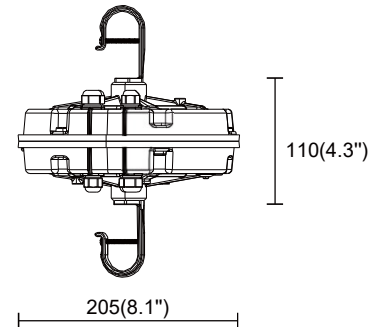
- Suit for 10W to 300W lamp with 0-10V dimming industrial lights.
- Used with LiFePO4 battery.
- 150-200VDC output.
- LED emergency converter that can transfer standard LED fitting into emergency LED fitting.
- Accessory test switch and charge indicator.

Applications

- UL Listed for dry/damp locations.
- For use on a wide range of LED fittings to convert them from standard to emergency fitting.
- Output DC150-200V.
- Additional Relay that can control standard LED driver.
- Deep discharge protection.
- Ambient range ta 0...60°C
- IP65 protection.
- Not intended for use in luminaries for high-risk task area lighting.

Dimensions

L205×W205×H110 mm
L 8.1"×W 8.1"× H 4.3"



Ordering data

Model No.:	Input voltage	Output voltage/power (Emergency mode)	Battery pack	Duration (E.M mode)
F-LUHB-EMKIT	120-277Vac 50-60Hz	DC150-200V,40W max	LiFePO4 12.8V6.6Ah	90minutes

Items:
F-LUHB/EMKIT

EMERGENCY BATTERY KIT INSTALLATION INSTRUCTIONS

Technical data

Item	Data
Rated input voltage	120-277VAC,50/60Hz
Input current	20-150mA
Input power	8.5W
Power factor	0.6 @100VAC, 0.5@347VAC
Output wire L-out N-out (LED load input)	AC 6A Max
Output voltage range	DC150-200V
Max output voltage	250V
Battery pack voltage/capacity	LiFePO4 12.8V 6600mAh,84.48Wh
Recharge current	0-500mA
Recharge time	24hours
Discharge time	90 minutes
Max. casing temperature tc	75°C

Protections

- Input over current protection.
- Output over voltage protection.
- Output under current protection.
- Output short circuit protection (Emergency mode).



Remote control

- If you press TEST button once, the system will go into discharging mode for 5 seconds , then it goes back to charging mode.
- If you press H-T (Hold test button), the system goes into discharging mode and keeps discharging ; then you press it again , the system will stop discharging and go back to working mode.
- The Max remote control distance is 15 M.



Test switch

- Emergency conversion Kit will go into emergency mode if test switch is pressed when main supply is on, while it will go into charging mode if test switch is not pressed.
- In emergency mode, press the test switch for 3 seconds to turn off the current emergency state.

LED indicator

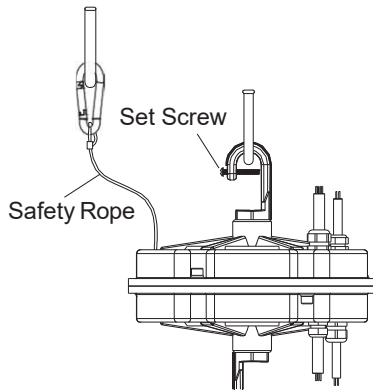
- Red stable: charging mode or charging full.
- Red off: main power off or discharging mode.

Items:
F-LUHB/EMKIT

EMERGENCY BATTERY KIT INSTALLATION INSTRUCTIONS

Mounting:

1

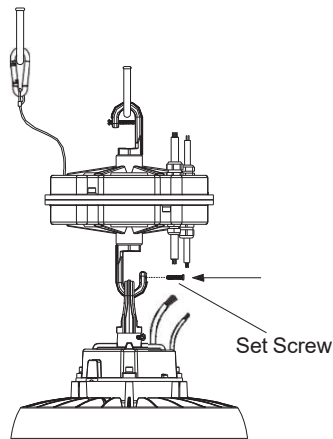


1. Hang the emergency driver onto the mounting hook and tighten the set screw. See figure 1

2. Secure one end of the safety rope to the emergency driver. Secure the other end to a secure structure. See figure 1

Note: Failure to connect the safety rope could result in serious injury and/or property damage.

2

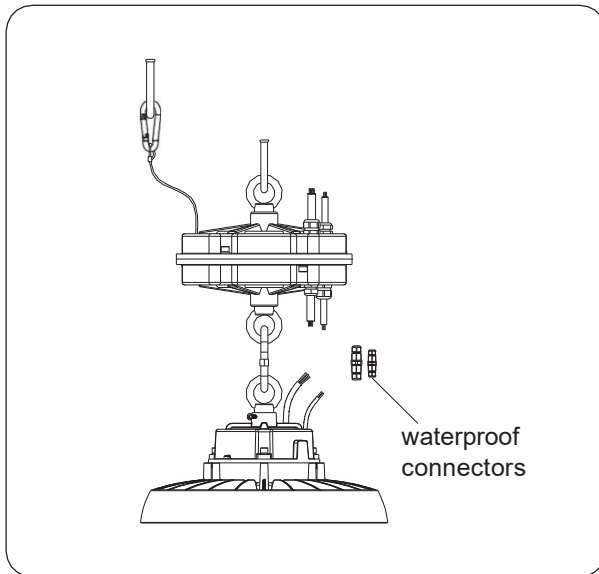


3. Hang the UFO onto the emergency driver. Tighten the set screw. See figure 2

Items:
F-LUHB/EMKIT

EMERGENCY BATTERY KIT INSTALLATION INSTRUCTIONS

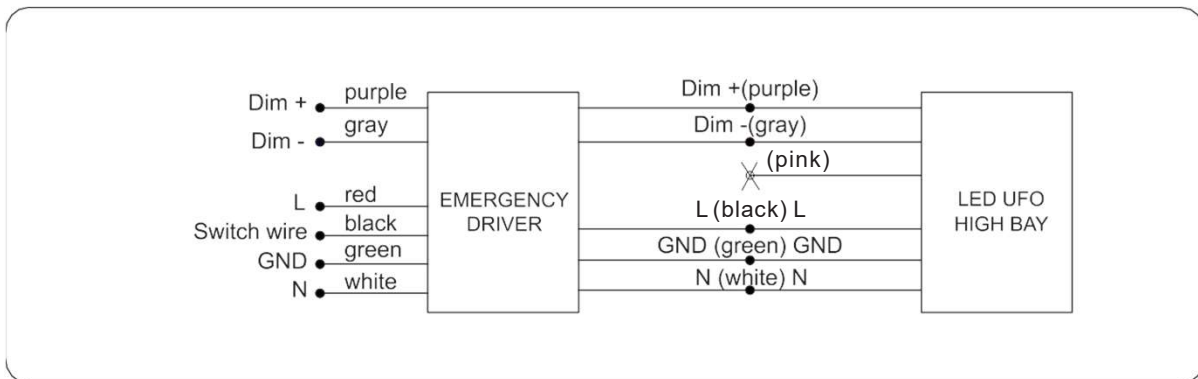
Wiring:



1. Make sure power is turned off before beginning any electrical work.
2. Connect the emergency driver output to the fixture input using waterproof connectors provided.

Note: Dimming wires must be connected between fixture and emergency driver; even if not using a dimmer.

3. Connect the emergency driver input to line voltage (and dimmer if applicable) using the wiring diagram below.
4. Allow the battery to charge consistently at least 24 hours for first time usage so as to activate the whole battery.



Maintenance:

- Every 2 months, turn off main power (or use the H-T button on the supplied remote), so as to allow the battery to operate a discharge/charge cycle. This will help the battery to sustain a longer lifetime.

-Monthly, check the emergency function with the push to the test button(or use the TEST button on the supplied remote). The emergency driver should change to emergency mode for 2 seconds and return to normal operation as long as operating power is on.

Items:
F-LUHB/EMKIT

EMERGENCY BATTERY KIT INSTALLATION INSTRUCTIONS

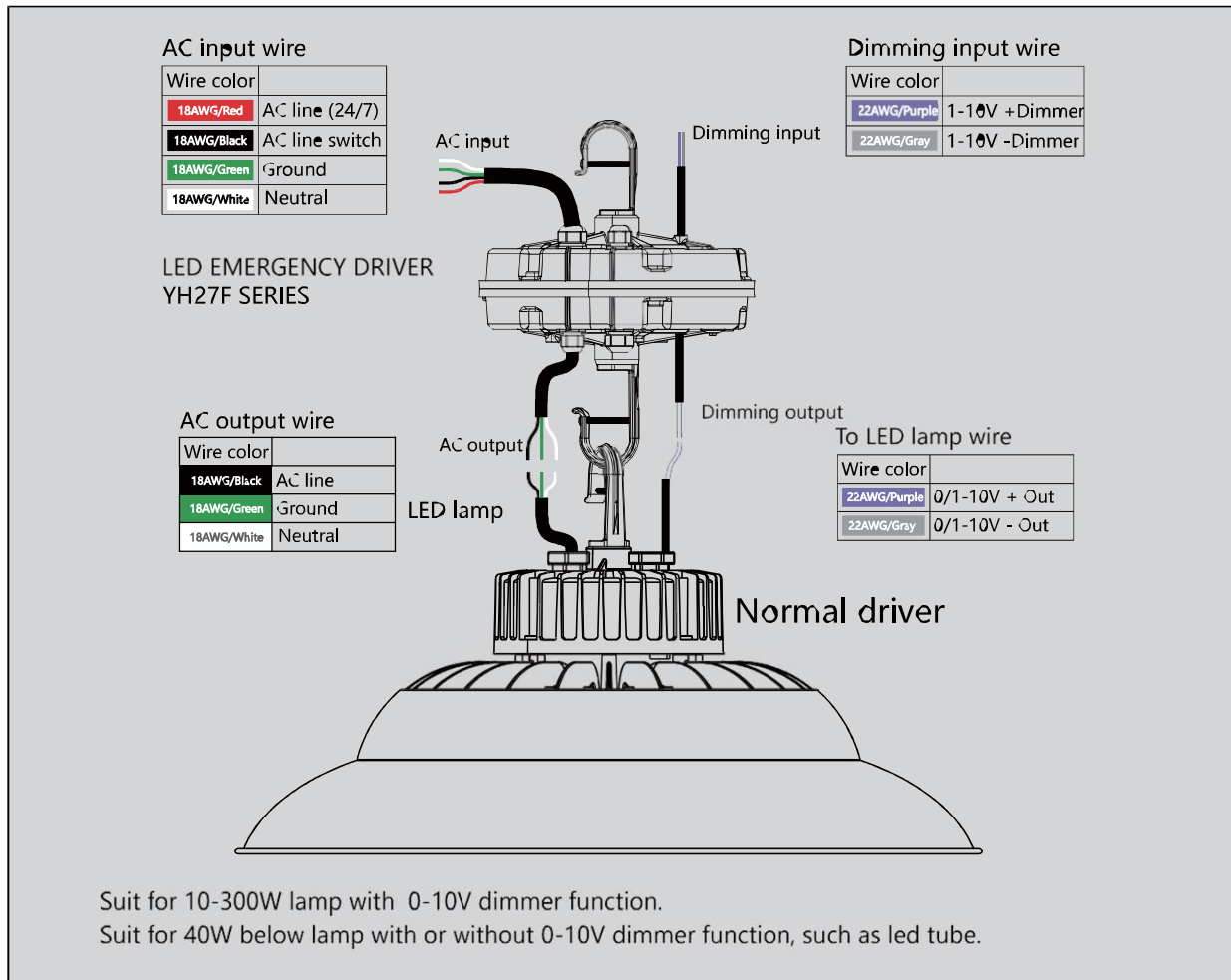
Warranty

- Warranty 5 years.
- Except for the following circumstances:
 - 1) Improper installation or operation.
 - 2) Misuse.
 - 3) Abuse.
 - 4) Unauthorized or improper repair alteration.
 - 5) Accident or negligence in use, storage, transportation.
 - 6) Any natural acts.

Notes:

Users are not suggested replacing the batteries by themselves. If needed, please use the nominated batteries pack by the manufacturer and contact with us for the instructions of maintenance.

Wiring diagram



These instructions do not address all permutations that may exist in installation, maintenance and operating environments.