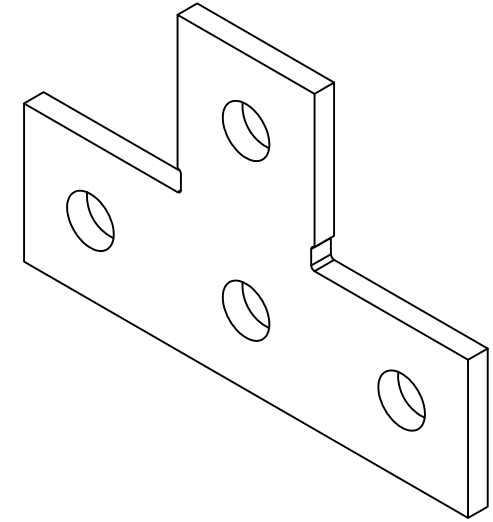
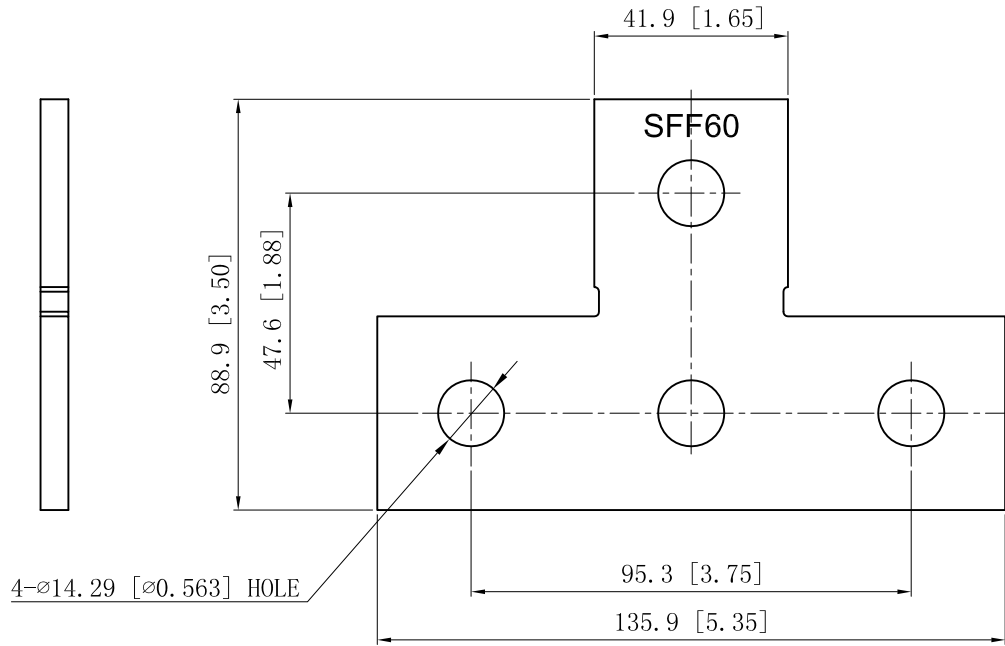


SIDES	BOTTOM
Material: Steel-0.236"- H.R.S, Zinc plated	



This data sheet is for reference only .GARVIN INDUSTRIES reserves the right to make changes to the design without prior notice.

DESCRIPTION
TRADE REFERENCE TERMS

STANDARD PACKING
20 PCS

GARVIN INDUSTRIES		
TITLE FOUR-HOLE TEE PLATE – FLAT		
SIZE A4	DWG NO. SFF60	REV
DATA SHEET		