

LED Eco Style Baffles



Long Lasting and Energy Saving

An economical retrofit solution for remodel or new construction projects. Topaz LED economy baffle trims are designed to deliver energy savings and pleasant illumination. Available in 60W up to 120W incandescent replacement and fits 4" or 6" recessed housings. The LED Recessed Retrofit downlights deliver uniform 3000K color distribution and 80 CRI quality lighting. ENERGY STAR® qualified models are available.

FEATURES

- Retrofit trim for use with 4" or 6" recessed housings
- Baffle trim with durable white finish
- Dimmable down to 10 percent*
- Glare free and uniform diffused light
- Replace 60W to 120W lamps
- Edison base adapter included

SUGGESTED APPLICATIONS

- Residential and mutli-family
- Hospitality
- Schools

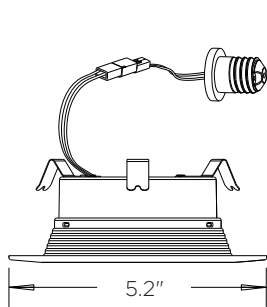


LED Eco Style Baffles

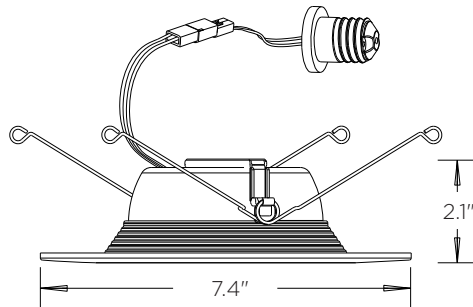
GENERAL SPECIFICATIONS

Input Voltage: 120VAC, 50/60HZ
PF: >0.9
CRI: 80
Beam Angle: 100°
Functional Life (L70) : 50,000 hours

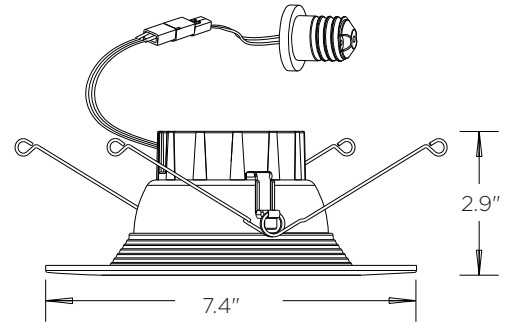
Ambient Operating Temperature: -4°F to 105°F
Dimmable with LED type dimmers*
Construction: Stamped Aluminum
Finish: White enamel



4" 10W



6" 12W and 15W



6" 16W

ITEM SPECIFICATIONS / ORDER INFO

Item #	Order Code	UPC	Size	Volts	Amps	Wattage	CCT (Kelvin)	Initial Lumens	Incandescent Equivalence	Location Rating	ENERGY STAR ID	PK-QTY
RTL/433WH/10W/D-61	79586	751338022911	4"	120VAC	0.08	10	3000	650	65W, A19	Damp	2306524	1/12
RTL/633WH/12W/D-61	79588	751338022928	6"	120VAC	0.09	12	3000	800	75W, A19	Wet	2306525	1/6
RTL/633WH/15W/D-61	79590	751338022942	6"	120VAC	0.13	15	3000	1,200	100W, A21	Wet	2306530	1/6
RTL/633WH/16W/D-61	79592	751338022966	6"	120VAC	0.14	16	3000	1,500	120W, A21	Wet	2308462	1/6

Not for sale in California.

ENERGY SAVINGS

	LED Wattage	Incandescent Wattage	Energy Saving, Watts	Yearly Saving, Fixture	5 Year Cost Savings
Based on 3 hours/day and \$0.11/kWh					
RTL/433WH/10W	10W	65W	55	\$11.04	\$55.20
RTL/633WH/12W	12W	75W	63	\$12.65	\$63.24
RTL/633WH/15W	15W	100W	85	\$17.06	\$85.32
RTL/633WH/16W	16W	120W	104	\$20.89	\$104.39

NOMENCLATURE

Example: RTL/433WH/10W/D

RTL = Recessed Trim Light / **433WH** = 4" 3000K White Baffle / **10W** = 10 Watts / **D** = Dimmable
 / **633WH** = 6" 3000K White Baffle / **12W** = 12 Watts
 / **15W** = 15 Watts
 / **16W** = 16 Watts

NOTES:

*Dimmable on most LED compatible leading edge or forward phase dimmers.

This device complies with Part 15 of the FCC Rules. Operation is subject to the following two conditions: (1) this device may not cause harmful interference, and (2) this device must accept any interference received, including interference that may cause undesired operation. Specifications subject to change without notice.

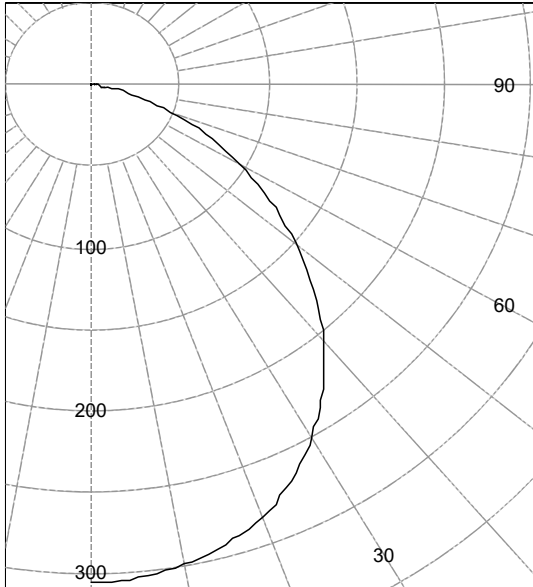
Specifications subject to change without notice.

Revised July 2020

LED Eco Style Baffles

RTL/433WH/10W/D-61

Legend: All planes - Black (cd)



(Rotational symmetry)

AVERAGE LUMINANCE (cd / m²)

Gamma	C0
45.0	35480
55.0	30309
65.0	23742
75.0	14887
85.0	8401

INTENSITY SUMMARY (cd)

Gamma	All Planes	Flux (lm)	Gamma	C0	Flux (lm)
0	304		90	0	
5	303	29	95	0	0
10	299		100	0	0
15	292	82	105	0	0
20	282		110	0	0
25	268	123	115	0	0
30	250		120	0	0
35	228	143	125	0	0
40	204		130	0	0
45	178	137	135	0	0
50	151		140	0	0
55	123	110	145	0	0
60	97		150	0	0
65	71	71	155	0	0
70	48		160	0	0
75	27	30	165	0	0
80	13		170	0	0
85	5	6	175	0	0
90	0		180	0	0

ZONAL FLUX AND PERCENTAGES

Zone	Flux (lm)	%Lamp	%Luminaire
0-30	234	N / A	32.1
0-40	377	N / A	51.6
0-60	624	N / A	85.4
0-90	730	N / A	100.0
40-90	353	N / A	48.4
60-90	106	N / A	14.6
90-180	0	N / A	0.0
0-180	730	N / A	100.0

Total Light Output = 730 lm

Spacing Criterion:	0-180	1.2
Spacing Criterion:	90-270	1.2

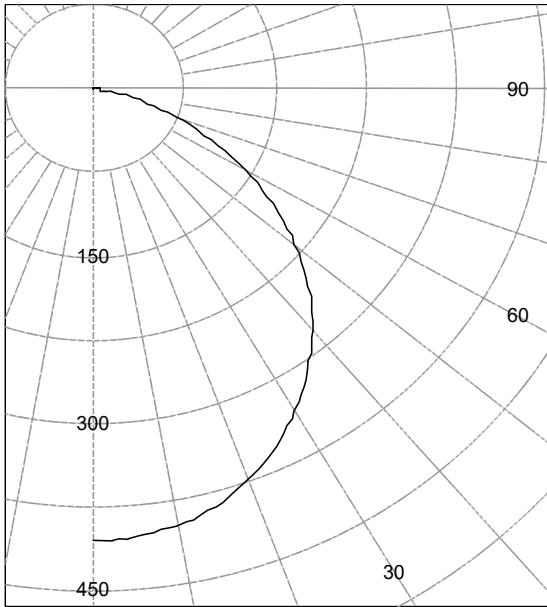
Circle of Light Plot

Height(ft)	Illuminance at Nadir (fc)	Beam Width (across 50% Nadir Illum)	
		0-180	90-270
6.0	8.5	7.31	7.31
8.0	4.8	9.75	9.75
10.0	3.0	12.18	12.18
12.0	2.1	14.62	14.62
14.0	1.6	17.06	17.06
16.0	1.2	19.49	19.49

LED Eco Style Baffles

RTL/633WH/12W/D-61

Legend: All planes - Black (cd)



AVERAGE LUMINANCE (cd / m²)

Gamma	C0
45.0	28100
55.0	24918
65.0	20143
75.0	11839
85.0	3706

INTENSITY SUMMARY (cd)

Gamma	All Planes	Flux (lm)	Gamma	C0	Flux (lm)
0	405		90	0	
5	403	38	95	0	0
10	397		100	0	0
15	387	109	105	0	0
20	373		110	0	0
25	355	163	115	0	0
30	333		120	0	0
35	308	193	125	0	0
40	281		130	0	0
45	252	193	135	0	0
50	217		140	0	0
55	181	162	145	0	0
60	144		150	0	0
65	108	107	155	0	0
70	72		160	0	0
75	39	42	165	0	0
80	13		170	0	0
85	4	5	175	0	0
90	0		180	0	0

ZONAL FLUX AND PERCENTAGES

Zone	Flux (lm)	%Lamp	%Luminaire
0-30	311	N / A	30.7
0-40	504	N / A	49.7
0-60	859	N / A	84.8
0-90	1012	N / A	100.0
40-90	509	N / A	50.3
60-90	154	N / A	15.2
90-180	0	N / A	0.0
0-180	1012	N / A	100.0

Total Light Output = 1,012 lm

Spacing Criterion: 0-180 1.2
 Spacing Criterion: 90-270 1.2

Circle of Light Plot

Height(ft)	Illuminance at Nadir (fc)	Beam Width (across 50% Nadir Illum)	
		0-180	90-270
6.0	11.2	7.35	7.35
8.0	6.3	9.79	9.79
10.0	4.0	12.24	12.24
12.0	2.8	14.69	14.69
14.0	2.1	17.14	17.14
16.0	1.6	19.59	19.59

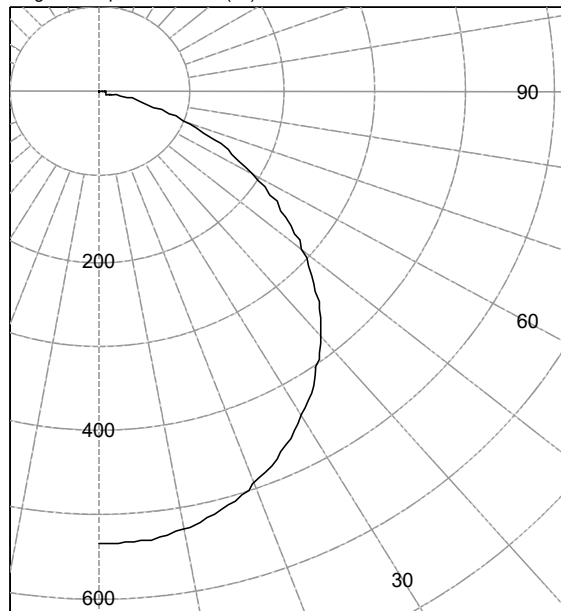


Job Name/Title: _____ Catalog Number _____
 Contractor: _____ Notes: _____

LED Eco Style Baffles

RTL/633WH/15W/D-61

Legend: All planes - Black (cd)



(Rotational symmetry)

AVERAGE LUMINANCE (cd / m²)

Gamma	C0
45.0	37472
55.0	33264
65.0	27006
75.0	16178
85.0	5586

INTENSITY SUMMARY (cd)

Gamma	All Planes	Flux (lm)	Gamma	C0	Flux (lm)
0	535		90	0	
5	533	51	95	0	0
10	525		100	0	
15	512	144	105	0	0
20	494		110	0	
25	471	217	115	0	0
30	443		120	0	
35	411	257	125	0	0
40	375		130	0	
45	336	258	135	0	0
50	290		140	0	
55	242	216	145	0	0
60	193		150	0	
65	145	143	155	0	0
70	97		160	0	
75	53	57	165	0	0
80	18		170	0	
85	6	7	175	0	0
90	0		180	0	

ZONAL FLUX AND PERCENTAGES

Zone	Flux (lm)	%Lamp	%Luminaire
0-30	412	N / A	30.5
0-40	669	N / A	49.5
0-60	1142	N / A	84.6
0-90	1350	N / A	100.0
40-90	681	N / A	50.5
60-90	208	N / A	15.4
90-180	0	N / A	0.0
0-180	1350	N / A	100.0

Total Light Output = 1,350 lm

Spacing Criterion: 0-180 1.2
 Spacing Criterion: 90-270 1.2

Circle of Light Plot

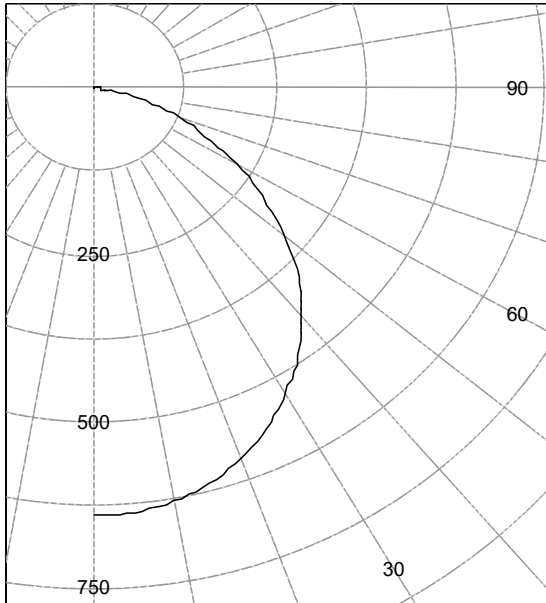
Height(ft)	Illuminance at Nadir (fc)	Beam Width (across 50% Nadir Illum)	
		0-180	90-270
6.0	14.9	7.39	7.39
8.0	8.4	9.85	9.85
10.0	5.3	12.31	12.31
12.0	3.7	14.77	14.77
14.0	2.7	17.23	17.23
16.0	2.1	19.70	19.70

Revised July 2020

LED Eco Style Baffles

RTL/633WH/16W/D-61

Legend: All planes - Black (cd)



(Rotational symmetry)

AVERAGE LUMINANCE (cd / m²)

Gamma	C0
45.0	44512
55.0	39127
65.0	31609
75.0	19242
85.0	6693

INTENSITY SUMMARY (cd)

Gamma	All Planes	Flux (lm)	Gamma	C0	Flux (lm)
0	640		90	0	
5	638	61	95	0	0
10	629		100	0	
15	613	173	105	0	0
20	591		110	0	
25	563	259	115	0	0
30	529		120	0	
35	490	306	125	0	0
40	447		130	0	
45	399	306	135	0	0
50	342		140	0	
55	284	254	145	0	0
60	226		150	0	
65	169	168	155	0	0
70	114		160	0	
75	63	68	165	0	0
80	22		170	0	
85	7	9	175	0	0
90	0		180	0	

ZONAL FLUX AND PERCENTAGES

Zone	Flux (lm)	%Lamp	%Luminaire
0-30	493	N / A	30.7
0-40	799	N / A	49.8
0-60	1359	N / A	84.8
0-90	1604	N / A	100.0
40-90	805	N / A	50.2
60-90	244	N / A	15.2
90-180	0	N / A	0.0
0-180	1604	N / A	100.0

Total Light Output = 1,604 lm

 Spacing Criterion: 0-180 1.2
 Spacing Criterion: 90-270 1.2

Circle of Light Plot

Height(ft)	Illuminance at Nadir (fc)	Beam Width (across 50% Nadir Illum)	
		0-180	90-270
6.0	17.8	7.37	7.37
8.0	10.0	9.83	9.83
10.0	6.4	12.28	12.28
12.0	4.4	14.74	14.74
14.0	3.3	17.19	17.19
16.0	2.5	19.65	19.65