



# Southwire™

## TERMINAL ADAPTERS

### FEATURES

- The fitting consists of two female ends, one end is threaded and the other is solvent weld
- Both ends fit the same diameter conduit

### APPLICATION

- A connector used to transition from plain end PVC conduit to a threaded metal or PVC female bell
- Can also be used to connect PVC conduit to a box or other threaded body with the use of a locknut (sold separately)

### STANDARD MATERIAL

- PVC

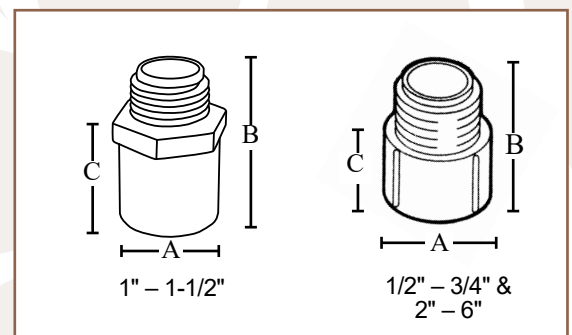


1031



1036

PART #	SIZE	MASTER QTY.	WEIGHT/ CASE (LBS.)	A	B	C
1031	1/2"	200	6	1.0625"	1.6875"	1.125"
1032	3/4"	125	6	1.25"	1.75"	1.1875"
1033	1"	70	5	2.1875"	1.625"	1.50"
1034TZ	1-1/4"	40	4	2"	2.125"	1.3125"
1035TZ	1-1/2"	30	3	2"	2.0625"	1.3125"
1036	2"	40	6	2.6875"	2.1875"	1.375"
1037	2-1/2"	20	7	3.3125"	2.875"	2"
1038	3"	40	18	3.9375"	3"	2.1875"
1039	3-1/2"	30	18	4.50"	3.1875"	2.5625"
1040TZ	4"	20	15	5"	3.4375"	2.5625"
1040A	5"	10	14	6.25"	4.75"	3"
1040B	6"	8	10	7.3125"	4.9375"	2.6875"



Rev. 0, 03/23

**BUILT FOR DURABILITY.  
BUILT FOR RELIABILITY.  
BUILT FOR WORK.™**

1-855-798-6657 | SOUTHWIRE.COM

©2023 Southwire Company, LLC. All rights reserved.  
\*Registered Trademark & ™Trademark of Southwire Company, LLC.