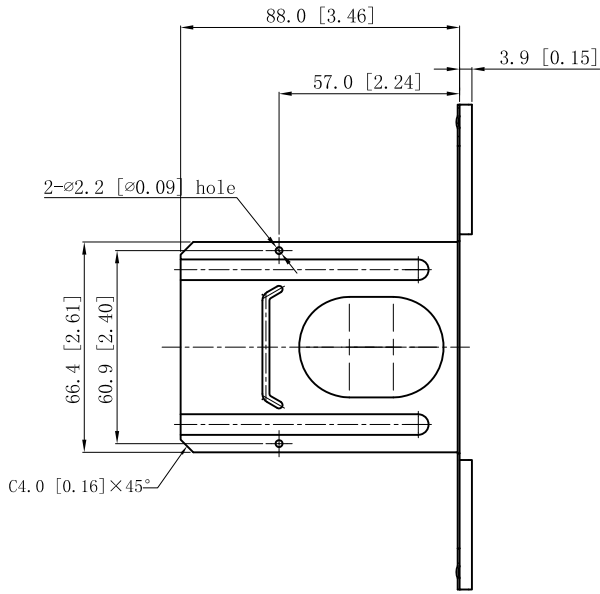
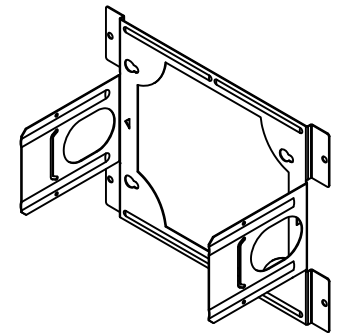
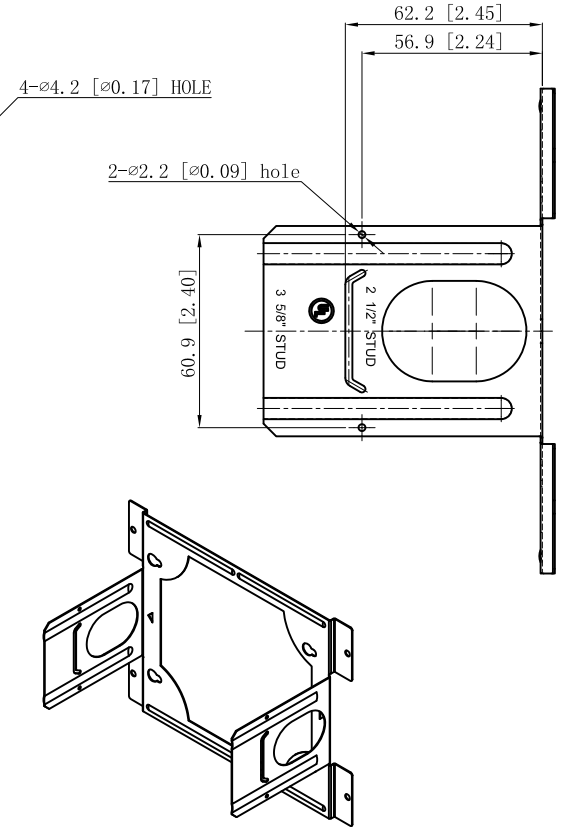
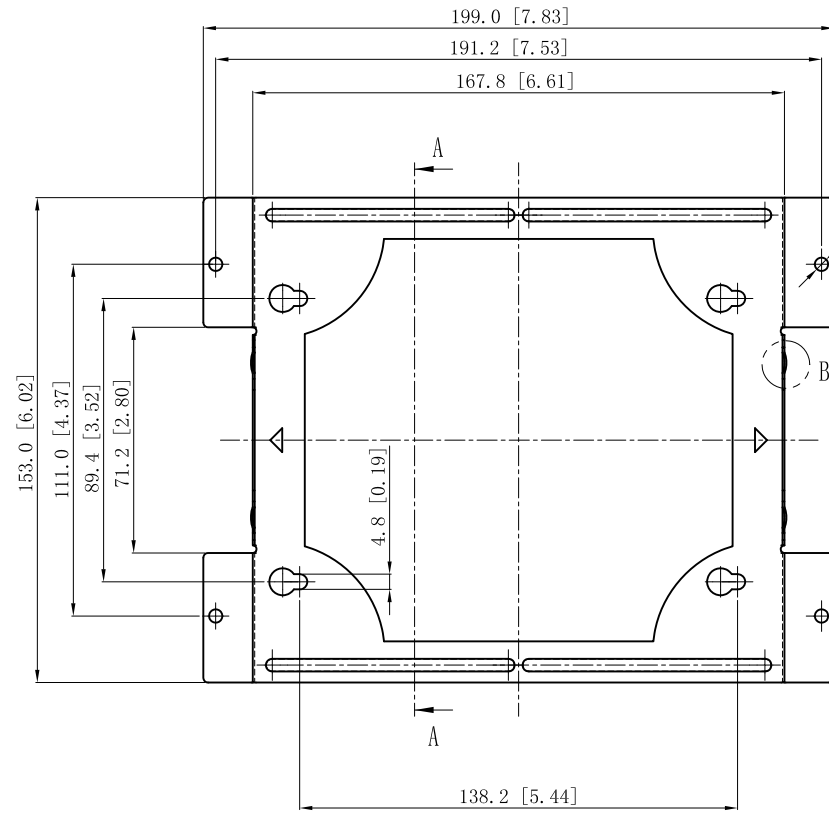


SIDES	BOTTOM
Material: Steel-0.024"-G60 Galvanized	



CUTAWAY VIEW A-A



DESCRIPTION
TRADE REFERENCE TERMS

STANDARD PACKING
25 PCS

This data sheet is for reference only .GARVIN INDUSTRIES reserves the right to make changes to the design without prior notice.			
<b>GARVIN INDUSTRIES</b>			
UNIVERSAL BOX BRACKET			
SIZE	DWG NO.	REV	
A4	BB6-26	A	
DATA SHEET			