



Southwire™

ENT COUPLINGS

FEATURES

- Snap in
- Impact resistant
- Concrete tight, requiring no solvent welding or tape around the connections
- Rated for 175 lbs pull out resistance
- Approved for use in noncombustible 2 hour and 4 hour fire-rated floor/ceiling assemblies
- Meets all UL and CSA requirements

APPLICATION

- For use with Southwire ENT Flexible Conduit in residential, commercial or institutional applications

STANDARD MATERIAL

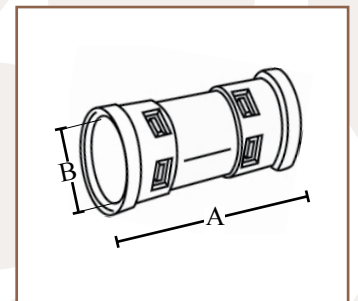
- Impact resistant PVC



1491



PART #	SIZE	MASTER QTY.	WEIGHT/CASE (LBS.)	A	B
1491	1/2"	200	6	1.40"	.86"
1492	3/4"	200	9	2.035"	1.06"
1493	1"	100	6	2.35"	1.33"
1494	1-1/4"	30	4	2.93"	1.69"
1495	1-1/2"	30	3	2.495"	1.93"
1496	2"	20	5	2.35"	2.41"



Rev. 0, 03/23

**BUILT FOR DURABILITY.
BUILT FOR RELIABILITY.
BUILT FOR WORK.™**

1-855-798-6657 | SOUTHWIRE.COM

©2023 Southwire Company, LLC. All rights reserved.
*Registered Trademark & ™Trademark of Southwire Company, LLC.