



southwiretools.com



1-855-SW-TOOLS
Toll Free Technical Help
Assistance technique gratuite
Línea de Ayuda Técnica Gratuita

Product distributed by/Produit distribué par
Southwire Company, LLC.
One Southwire Drive, Carrollton, GA 30119
©2016 Southwire Company, LLC.
All rights reserved. Tous droits réservés.

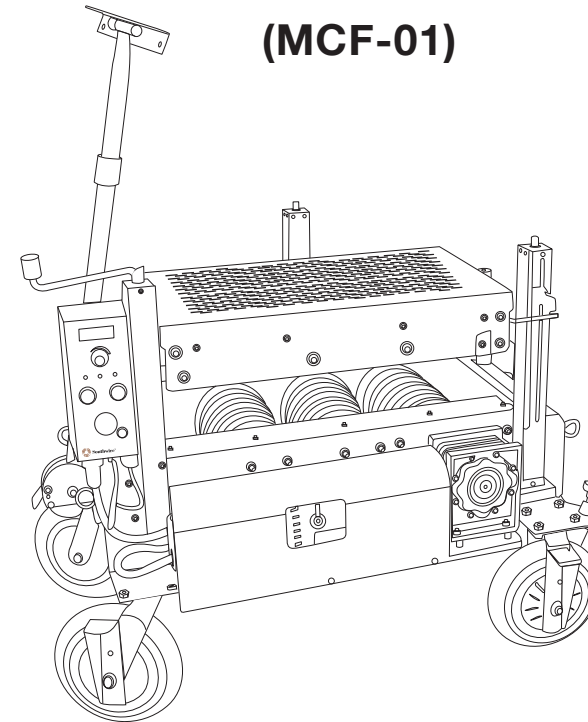
04/17 (MCF-01) Manual



Southwire[™]

TOOLS & EQUIPMENT

**OPERATING and MAINTENANCE
INSTRUCTIONS
MAXIS[®] Feeder
(MCF-01)**



**READ AND UNDERSTAND ALL OF THE
INSTRUCTIONS AND SAFETY INFORMATION IN
THIS MANUAL BEFORE OPERATING OR
SERVICING THIS TOOL**



TABLE OF CONTENTS

Important Safety Information.....	2 - 4
Description of Operation.....	5
Identification.....	6
Setup and Operation.....	7 - 9
Maintenance.....	10
Warranty.....	11 - 12

SAFETY FIRST

Safety is essential in the use and maintenance of Southwire Contractor Equipment. This instruction manual and any markings on the tool provide information for avoiding hazards and unsafe practices related to the use of this tool. Observe all of the safety information provided.

SAFETY ALERT SYMBOLS

These symbols are used to call attention to hazards or unsafe practices related that could result in injury or property damage. The three safety words defined below indicate the severity of the hazard. The message after the signal word provides information for preventing or avoiding the hazard.



DANGER – Immediate hazards, that if not avoided WILL result in severe injury or death.



WARNING - Hazards, that if not avoided MAY result in severe injury or death.



CAUTION – Hazards, or unsafe practices that, if not avoided MAY result in severe injury or death.

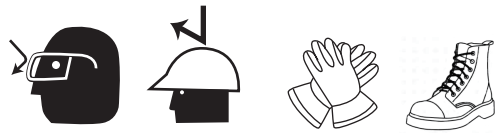
IMPORTANT SAFETY INFORMATION



WARNING

- Read and understand all instructions and safety information in this manual before operating or servicing this tool.

FAILURE TO OBSERVE THESE WARNINGS COULD RESULT IN SEVERE INJURY OR DEATH.



WARNING - Personal Safety Hazards

- Only qualified persons should operate the MAXIS® Feeder.
- Wear eye protection, hard hat, cut resistant gloves and safety toe shoes when using this tool.
- Do not use tool while tired or under the influence of drugs, alcohol, or medication.
- Keep body parts and loose clothing away from moving parts.
- Always follow safety procedures when operating.
- Avoid accidental starting. Make sure switch is off before plugging in motor.
- Keep hands clear when lowering tension lid.
- Keep hands away from rollers when tool is in operation.
- Turn off motor before opening tension lid.
- HEAVY- Use eye hooks and straps to load and unload.

FAILURE TO OBSERVE THESE WARNINGS CAN RESULT IN SEVERE INJURY OR DEATH.

⚠ DANGER: Electrical Shock Hazards.



IMPORTANT SAFETY INFORMATION

- Do not expose power tools to rain or wet conditions. Water entering a power tool can increase the risk of electric shock.
- Plug into a (GFCI) ground fault interrupted circuit outlet only.
- If using Triggers®. do not put in standing water.
- Use a 10/3 20 AMP 120 Volt extension cord no more than 100 feet in length.
- Maintain proper care of power cords. Do not use the cord to carry the tool or pull the plug from an outlet. Replace damaged cords immediately. Damaged cords can increase the risk of electric shock.
- Do not use this tool near live circuits. Shut off and lock out power when working near existing circuits.

FAILURE TO OBSERVE THESE WARNINGS CAN RESULT IN SEVERE INJURY OR DEATH.

⚠ WARNING: Entanglement Hazard

- Do not operate this tool while wearing loose-fitting clothing. Retain long hair.
- Keep hands away from the rollers and areas that contain chain access and sprockets.
- Turn off drill motor prior to opening tension lid.

FAILURE TO OBSERVE THESE WARNINGS CAN RESULT IN SEVERE INJURY OR DEATH.

⚠ WARNING: Tool Use Hazards

- Use this tool for the manufacturer's intended purpose only. Use other than that which is described in this manual can result in injury or property damage.
- Inspect all aspects of the pull to ensure safety.
- Only qualified personnel should use MAXIS® Feeder.

FAILURE TO OBSERVE THESE WARNINGS CAN RESULT IN SEVERE INJURY OR DEATH.

IMPORTANT SAFETY INFORMATION

⚠ CAUTION:

- Read and understand all of the instructions and safety information in this manual before operating or servicing this tool.

FAILURE TO OBSERVE THESE CAUTIONS CAN RESULT IN INJURY OR PROPERTY DAMAGE

⚠ CAUTION:

- Do not use if any parts are damaged as this can cause an unsafe condition and lead to tool malfunction or failure.
- If tool is in disrepair, **DO NOT USE**. Have tool serviced at an Authorized Southwire Repair Center.

FAILURE TO OBSERVE THESE CAUTIONS CAN RESULT IN INJURY OR PROPERTY DAMAGE

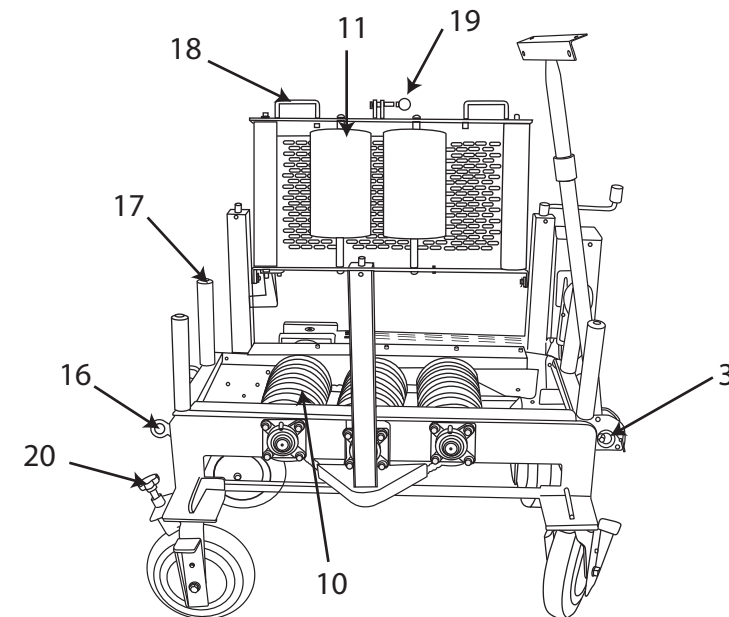
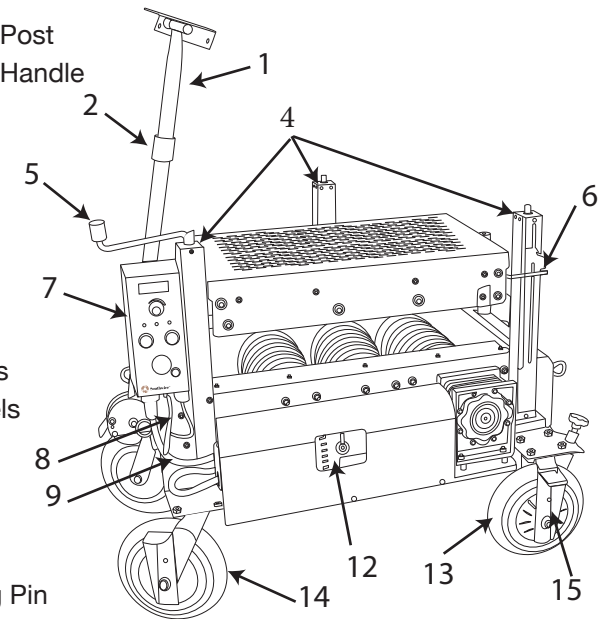
DESCRIPTION OF OPERATION

The Maxis Feeder provides a revolutionary new way to feed wire quickly and efficiently, utilizing grooved roller technology designed for standard and no-lube cable.

- Pushes wire at up to 1,600 lbs. of force and speeds up to 30 fpm.
- Completely adjustable tension lid can be controlled without s topping the pull.
- Feeds cable from sizes 3/0 up to 3.5" in diameter
- Variable speed motor can operate in both forward and reverse
- Can be used alone or in tandem with Maxis® Cable Pullers via Southwire Triggers®.

IDENTIFICATION

1. T-Handle
2. T-Handle Coupling
3. T-Handle Cotter Pin
4. Tension Adjustment Post
5. Tension Adjustment Handle
6. Safety Latch
7. Control Panel
8. Power Cord
9. RCA Cord
10. Power Rollers
11. Pressure Roller
12. High/Low Switch
13. Fixed Caster Wheels
14. Swivel Caster Wheels
15. Bolt Down Plate
16. Tie Down Eyes
17. Cable Guides
18. Tension Lid Handle
19. Tension Lid Locking Pin
20. Brake Assembly



SET UP AND OPERATION

1. Always wear gloves, eye protection, hard hat and safety toed shoes when working with the Maxis® Feeder.
2. Move the feeder into position by placing the T-Handle towards the reel(s) of cable
3. Use a bar of strut or wood block below the reel jack to brace the T-Handle (Fig 1). To extend Feeder distance, unscrew the T-Handle and insert a 1 ½” piece of EMT or larger through the handle and brace it against the strut or wood block (Fig 7a-7b).
4. Pull Tension lid locking pin (17) to lift lid upward until locked into place (Fig 2).
5. Lay cable onto bottom rollers, this includes ground wire, in-between Cable Guides (15).
6. Spread cable out evenly onto rollers (Fig 3).
7. Shut Tension Lid by lifting the Lid Safety Latch then lowering lid (6).
8. Push Tension Lid down onto cable and latch Tension Lid Locking Pin (19).
9. Tension may need to be decreased for the lid to lock properly. Decrease lid tension by winding the Tension Handle (5) in a counter-clockwise rotation. This will lift the lid off the cable, pull the Tension lid locking pin and engage lock.
10. Add tension to the cable by rotating the Tension Handle (5) in a clockwise rotation at one of the three Tension Post (Fig 4).
11. Plug power cord into a 10-gauge extension cord (100 feet Max length) using a 120 Volt 20-amp service.
12. Push Forward green button on the control panel.
13. Adjust speed with the Speed Control Dial on control panel (7).
14. To STOP, press the red stop button on control panel (7).
15. Turn off motor before opening the tension lid.

SET UP AND OPERATION

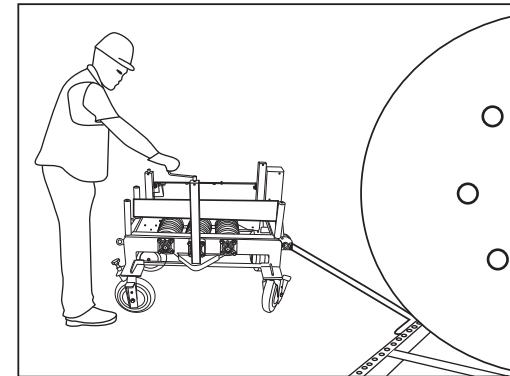


Fig. 1

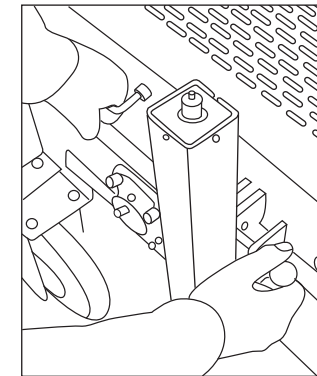


Fig. 2

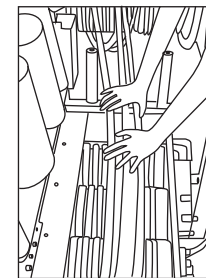


Fig. 3

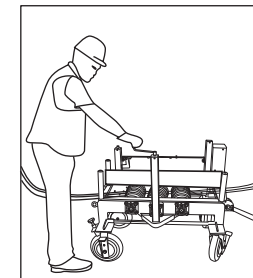


Fig. 4

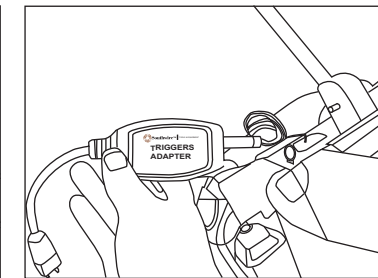


Fig. 5

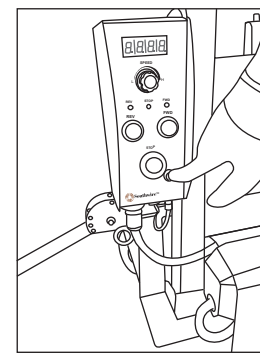


Fig. 6

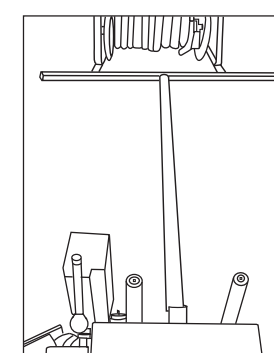


Fig. 7

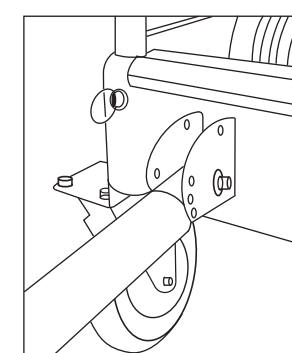


Fig. 7b

SET UP AND OPERATION

USING WITH SOUTHWIRE™ TRIGGERS®

The Maxis® Feeder can be used in stand alone or in tandem with a cable puller all controlled by the Southwire Triggers®. The Southwire Triggers® is a wireless safety switch system that allows both the person operating the puller and the person operating the feeder, control over the puller and feeder operation. Both foot-switches must be engaged for the puller's motor and feeder to operate. Anytime either footswitch is released the puller's motor and the Feeder will disengage. Refer to the Southwire Trigger's owner's manual for specific instructions regarding Trigger use.

1. Plug the RCA Cord (9) from the Maxis® Feeder into the Triggers Adaptor box (Fig 5) and plug adaptor box into the back of the Trigger Remote pedal.
2. Plug Feeder Power cord into extension cord from power source.
3. Plug Triggers remote foot switch into extension cord from power source.
4. Follow Triggers Instruction manual for Triggers setup.
5. Push on small green "Trigger Option" button on the Feeder control panel (7) (Fig 6).
6. Push forward green button on Control Panel.
7. Feeder will only power on when Trigger pedals are engaged.
8. Adjust speed with Speed Control dial.
9. To STOP, lift foot off Trigger pedal.
10. STOP motor before opening lid.

TROUBLESHOOTING

- T-Handle must be braced against cable reel or an immovable object usually with a piece of strut or wood. To extend Feeder distance from the reel unscrew T-Handle at the coupling and screw on a 1" rigid pipe or insert a 1-1/2" piece of EMT or larger through the handle and brace it against the strut or wood beam. (Fig. 7)
- When adding a ground cable to the feeder place it with the rest of the cable and it will pull through with the other cables. Place the ground reel on a jack with encased bearings such as the Maxis® Jax for easier payoff.
- When using the Maxis® Triggers® make sure that the "Trigger Option" button is engaged.
- When not using the Maxis® Triggers® make sure that the "Trigger® Option" button is not engaged.
- For faster or slower speeds engage the High/Low switch (12).
- If the Maxis® Feeder displays no power, check for a blown fuse in the bottom of the Control Panel. Replace with a 20 amp, 120V round fuse.

MAINTENANCE

- As needed check and oil tension chain.

SPECIFICATIONS

- Model# MFC-01
- Stock # 58-13-33-01
- Length- 44 Inches
- Width- 26 Inches
- Height- 35 Inches
- Min. Cable Size- 3/0
- Max Cable Size- 3-1/2 Inches
- Max Feet Per Minute- 30 fpm
- Tension Force- 1600 pound with multiple conductors: 400 pounds on a single conductor
- Patent- CA2735611A1, US8408520, US20130248785

WARRANTY ON SOUTHWIRE CONTRACTOR EQUIPMENT

What Does This Warranty Cover?

Five-Year Limited Warranty on Contractor Equipment

Under Southwire's Contractor Equipment 5-Year Limited Warranty, Southwire Company, LLC warrants that all Southwire Contractor Equipment will be free from manufacturer defects for a period of five (5) years from the date of the original end user's purchase. However, electrical components and consumable parts such as ropes, blades, dies, draw studs, grips, are excluded from this 5-Year Limited Warranty and are subject to the One -Year warranty terms. Under this 5-Year Limited Warranty, the following are also excluded and Southwire Company, LLC will have no liability for any of the following: normal wear and tear resulting from product use and damage arising out of misuse, abuse, modification, and improper product maintenance. This warranty also does not cover Southwire Contractor Equipment products that have been modified by any party other than Southwire Company, LLC or its authorized third party designee. This 5-Year Limited Warranty is not transferrable to or enforceable by any person other than the product's original end user.

One-Year Limited Warranty on Electrical Components and Consumable Parts (with 5-Year warranty)

Under Southwire's 1-Year Limited Warranty, Southwire Company, LLC warrants that all electrical components and consumable parts such as ropes, blades, dies, draw studs, grips will be free from manufacturer defects for a period of one-year from the date of the original end user's purchase. Under this 1-Year Limited Warranty, Southwire Company, LLC will have no liability for any of the following: normal wear and tear resulting from product use and damage arising out of misuse, abuse, modification, and improper product maintenance. This warranty also does not cover Southwire electrical components and consumable parts that have been modified by any party other than Southwire Company, LLC or its authorized third party designee. This 1-Year Limited Warranty is not transferrable to or enforceable by any person other than the product's original end user.

Exclusion of Incidental, Consequential, Indirect, Special and Punitive Damages

SOUTHWIRE MAKES NO WARRANTY THAT SOUTHWIRE CONTRACTOR EQUIPMENT PRODUCTS WILL BE MERCHANTABLE OR FIT FOR ANY PARTICULAR PURPOSE. SOUTHWIRE MAKES NO OTHER WARRANTY, EXPRESSED OR IMPLIED, OTHER THAN THE RELEVANT WARRANTY SPECIFICALLY SET FORTH IN THIS WARRANTY SECTION. SOUTHWIRE WILL NOT BE LIABLE FOR ANY INCIDENTAL, CONSEQUENTIAL, INDIRECT, SPECIAL, OR PUNITIVE DAMAGES FOR ANY BREACH OF THIS LIMITED LIFETIME WARRANTY.

Some states do not allow the exclusion or limitation of incidental or consequential damages, so the above limitation or exclusion may not apply to you.

Warranty Claim Information/How Do You Get Service?

For all warranty, customer service, and product return authorizations and inquiries, please contact Southwire's Tools & Assembled Products at:

Southwire Tools & Assembled Products
840 Old Bremen Road
Carrollton, GA, 30117
Phone Number: 1.855.SW.Tools

1. All warranty claims must be approved by Southwire's Tools & Assembled Products Warranty Department prior to return of product. If Southwire determines that a product is defective, Southwire will, at its option, repair or replace defective products or defective product components, free of charge.
2. Upon approval, Southwire will issue a Product Return Authorization Form which will include instructions on how and where to return the product. **The product serial number and the original date of delivery must be set forth on the Product Return Authorization Form.**
3. Southwire will cover standard freight charges (Ground Courier Rate) incurred in connection with products that Southwire ultimately determines to be defective.
4. All defective components and defective products that Southwire replaces under these Warranties will become Southwire's property and will be retained by Southwire.

Repair Your Product When it is Out of Warranty

Southwire is happy to provide information about where a purchaser can send a product for repair at consumers' own expense, please contact 1.855.SW.tools or visit www.southwiretools.com/tools/home.do for more information about servicing for Southwire Products.