



Southwire™

45° LIQUIDTIGHT CONNECTORS WITH INSULATED THROAT - MALLEABLE IRON

FEATURES

- Liquidtight, raintight, oiltight
- Suitable for wet location use
- Tapered threaded male hub NPT
- Insulated throat protects conductors from abrasion damage
- Compact slim diameter with small turning radius
- Zinc electro plated for excellent durability

APPLICATION

- To secure, ground and seal liquidtight conduit to a box or enclosure
- UL listed liquidtight flexible metal conduit fittings are suitable for use in the following hazardous locations under: NEC 501-4(b), 502-4(a), (2)503-3(a) Class 1 Div.2, Class II Div.1 and 2, Class III Div.1 and 2 and are suitable for grounding in sizes 3/8" through 1-1/2" under NEC 351-1

STANDARD MATERIAL

- Malleable iron
- Steel locknut

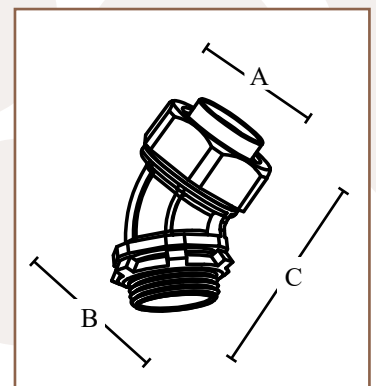
STANDARD FINISH

- Zinc plated



230S

PART #	SIZE	INNER QTY.	MASTER QTY.	WEIGHT/CASE (LBS.)	A	B	C
230S	3/8" 1/2" KO	10	100	24	1.18"	1.39"	2.51"
231S	1/2"	10	100	28	1.36"	1.50"	2.51"
232S	3/4"	10	100	42	1.61"	1.73"	2.70"
233S	1"	5	50	32	1.89"	2.11"	3.05"
234S	1-1/4"	2	20	22	2.39"	2.56"	3.65"
235S	1-1/2"	2	20	32	2.62"	2.77"	4.01"
236S	2"	2	20	49	3.24"	3.38"	4.64"
237S	2-1/2"	---	1	5	3.89"	4.68"	6.46"
238S	3"	---	1	7	4.74"	5.33"	7.01"
239S	3-1/2"	---	1	10	5.31"	5.81"	7.33"
240S	4"	---	1	12	5.82"	6.42"	8.20"



Rev. 0, 01/23

**BUILT FOR DURABILITY.
BUILT FOR RELIABILITY.
BUILT FOR WORK.™**

1-855-798-6657 | SOUTHWIRE.COM

©2023 Southwire Company, LLC. All rights reserved.
*Registered Trademark & ™Trademark of Southwire Company, LLC.