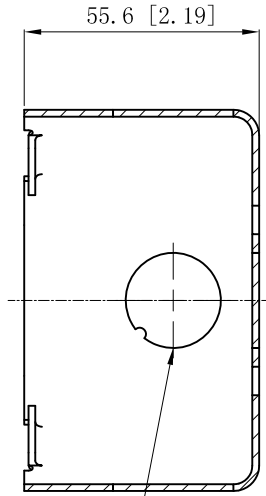
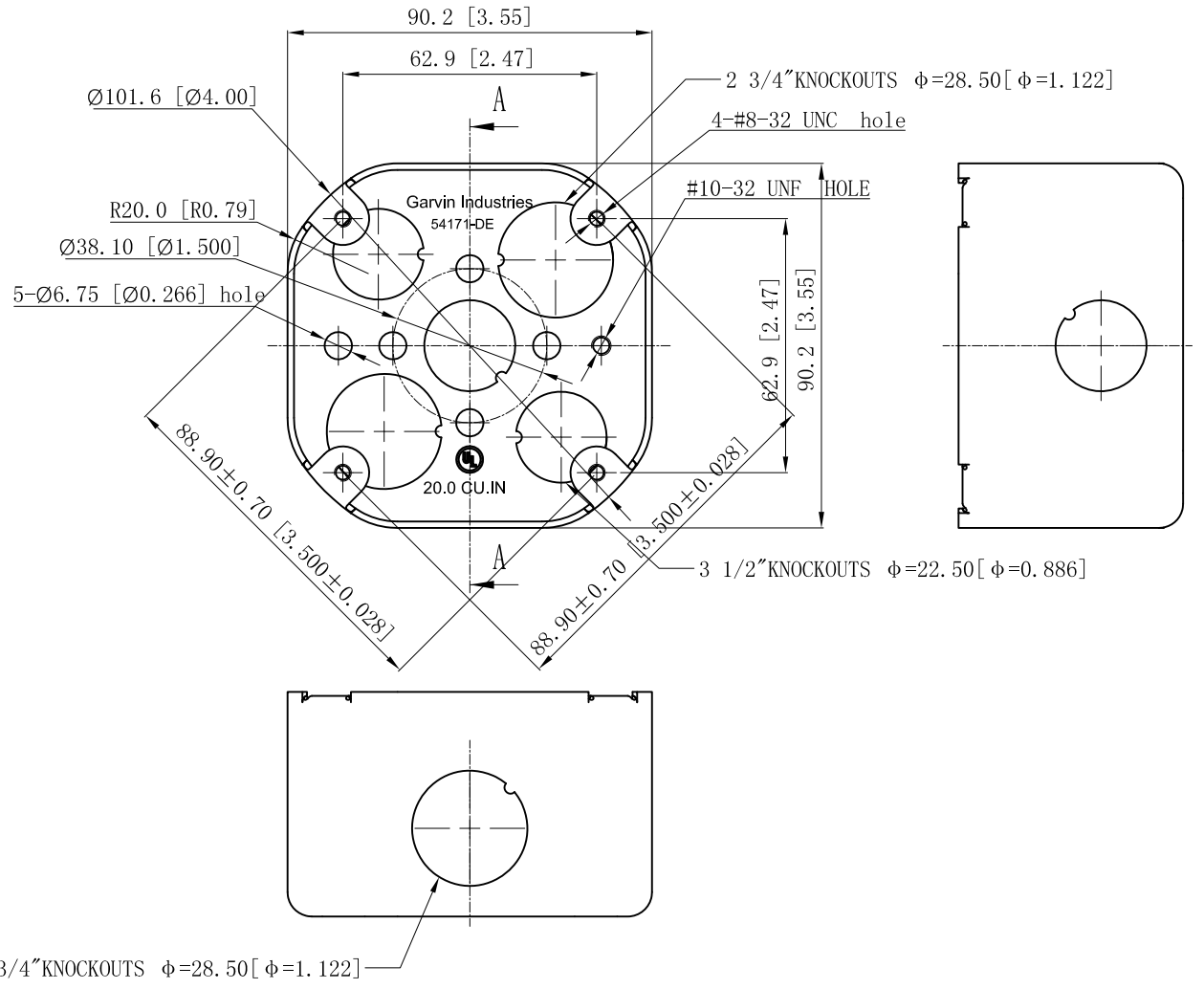
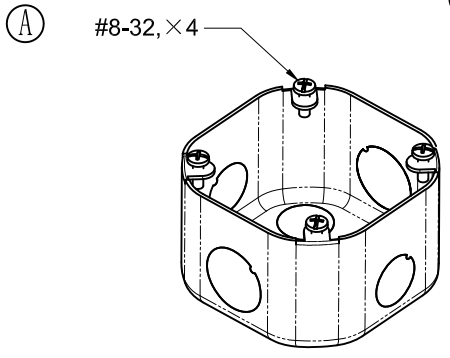


SIDES	BOTTOM
2 1/2" KNOCKOUTS	3 1/2" KNOCKOUTS
2 3/4" KNOCKOUTS	2 3/4" KNOCKOUTS
4 PCS #8-32x1/2 Screws Installed	
Material: Steel-0.0625"-G60 Galvanized	



2 1/2" KNOCKOUTS $\phi=22.50$ [$\phi=0.886$]

CUTAWAY VIEW A-A



2 3/4" KNOCKOUTS $\phi=28.50$ [$\phi=1.122$]

This data sheet is for reference only. GARVIN INDUSTRIES reserves the right to make changes to the design without prior notice.

DESCRIPTION
TRADE REFERENCE TERMS

STANDARD PACKING
25 PCS

TITLE			REV
GARVIN INDUSTRIES			
4" OCTAGON BOXES 2-1/8" DEEP			C
SIZE	DWG NO.	54171-DE	
A4		DATA SHEET	