

SERIES 2500 COUNTER WEIGHT LIFT



- ✓ No front legs to interfere with lifting
- ✓ Cart & mast section breakdown for ease of transportation



- ✓ 650 - 1,000 lb (300 - 455 kg) lifting capacity

- ✓ Great for hanging pipe against wall
- ✓ Four heights 10' - 25' (3 - 7 m)
- ✓ 2 speed winch



Can reach up to 2nd floor

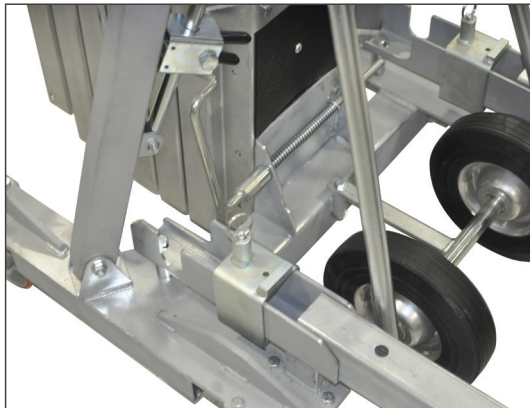
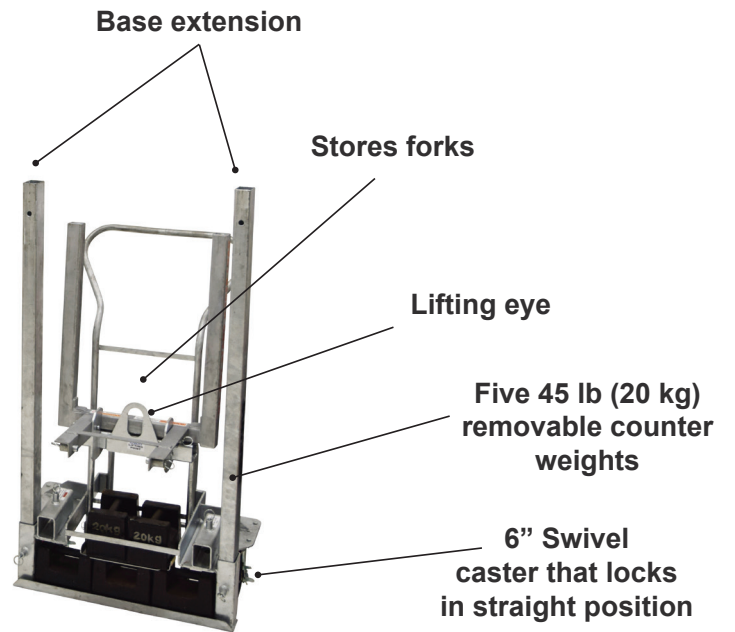
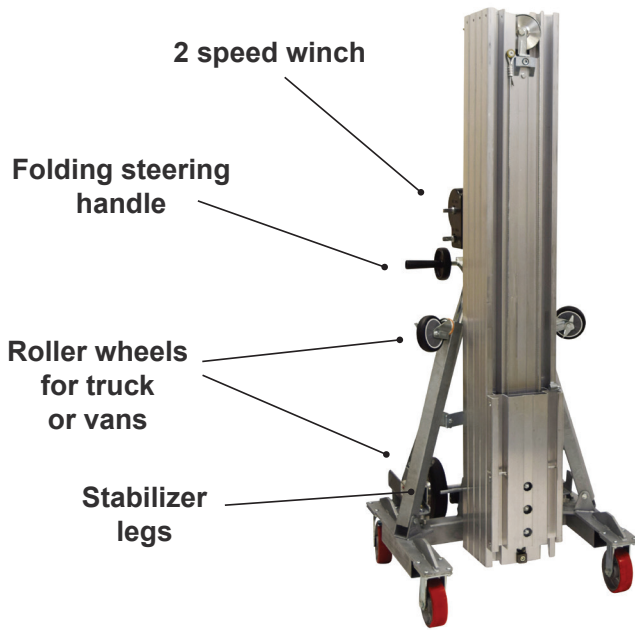


Works around ground obstructions



Great for next to wall applications

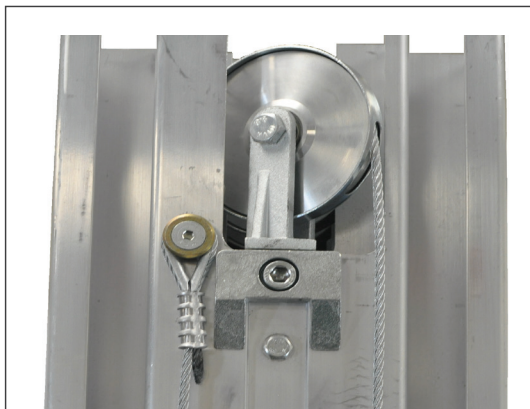
2500 Product Features



Cart and base assemble with quick action attaching plunger pins.



Adjustment base leveling screw to accommodate base extensions on unlevel floors.



Pulleys fully enclosed to retain cable.



Mast lifting eye.

2500 Lift Accessories



Part # 783705
 Pipe Cradle is great for duct pipe or other HVAC applications. Slides over standard forks.



Part # 786645
 Boom Carriage works well with glass lifting machinery.

Part #	Description
783882	2510 Safety Brake Option
783883	2515 Safety Brake Option
783884	2520 Safety Brake Option
783885	2525 Safety Brake Option

Optional Safety Brakes - Each mast and carriage can have a factory installed, gravity actuated safety brake which holds loads in place to help avoid any slack in the cable.



Winch operates from side of lift for safety and not between extension legs.



Mast section moves easily with adjustment steering level. Fits through doorway.



Because of hand cart design, moving forks, extensions and weights on the job is simple.

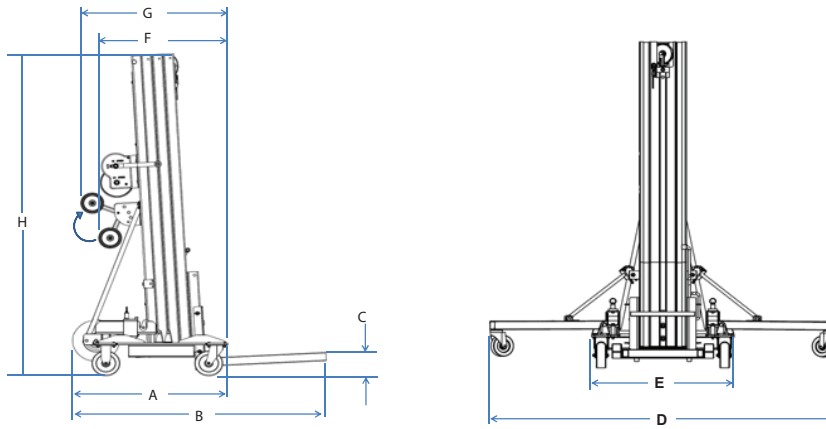


Mast roller wheels help roll mast section into vehicle.

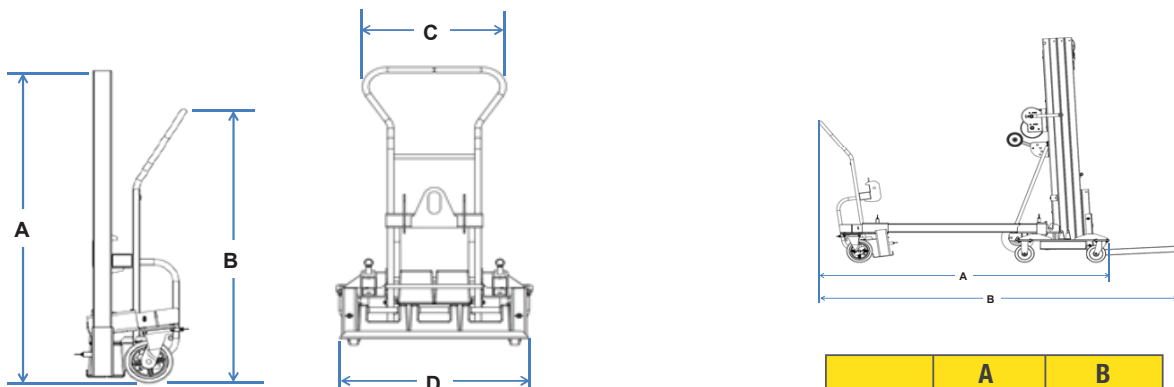
Product Specs

Lift	Part #	Weight		Safety Brake Option
		lb	kg	
2510	786510	644.0	292.7	783882
2515	786511	681.0	314.1	783883
2520	786512	738.0	355.5	783884
2525	786513	785.0	356.8	783885

Series 2500 Material Lift Dimensions	2510		2515		2520		2525	
Ground Clearance	2-1/2"	6.4 cm	2-1/2"	6.4 cm	2-1/2"	6.4 cm	2-1/2"	6.4 cm
Load Height (minimum)	6"	15.2 cm	6"	15.2 cm	6"	15.2 cm	6"	15.2 cm
Maximum Height (forks down)	9' 8-1/2"	2.9 m	14' 4"	4.3 m	18' 10"	5.7 m	23' 5-3/8"	7.1 m
Maximum Height (forks up)	11' 8 1/4"	3.6 m	16' 3 1/2"	4.9 m	21'	6.4 m	25' 7-3/8"	7.8 m



	A		B		C		D		E		F		G		H	
	IN	CM	IN	CM	IN	CM	IN	CM	IN	CM	IN	CM	IN	CM	IN	CM
2510	33.0	83.8	50.5	128.3	5.5	14.0	72.5	184.2	30.0	76.2	46.0	116.8	50.0	127.0	77.75	197.4
2515	33.0	83.8	53.0	134.6	5.5	14.0	72.5	184.2	30.0	78.7	46.0	116.8	50.0	127.0	77.75	197.4
2520	33.0	83.8	55.0	141.0	5.5	14.0	72.5	184.2	30.0	81.3	46.0	116.8	50.0	127.0	77.75	197.4
2525	33.0	83.8	58.0	147.3	5.5	14.0	72.5	184.2	30.0	83.8	46.0	116.8	50.0	127.0	77.75	197.4



A		B		C		D	
IN	CM	IN	CM	IN	CM	IN	CM
63.0	160.0	49.0	124.5	23.0	58.4	31.5	80.0

	A		B	
	IN	CM	IN	CM
2510	89.5	227.3	108.5	275.6
2515	92.0	233.7	110.0	281.9
2520	94.5	240.0	113.5	288.3
2525	97.0	264.4	116.0	294.6

For more information visit sumner.com

© 2017 Sumner Manufacturing, Co., LLC. 2500Lift_Brochure. *Trademark of Sumner Manufacturing Company, LLC.

SUMNER*

A Southwire Company