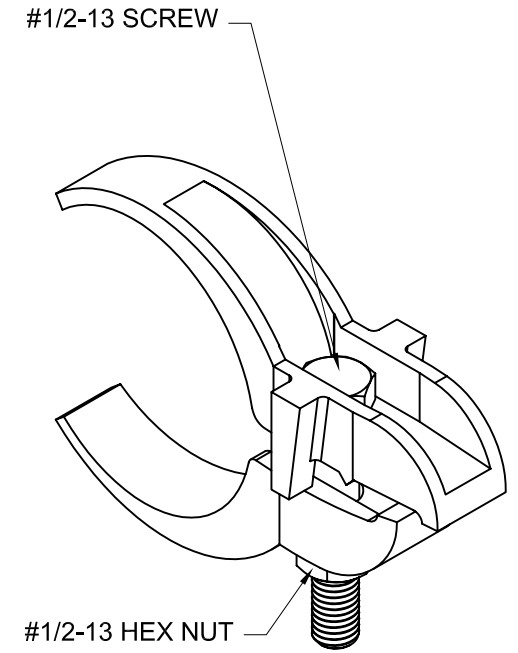
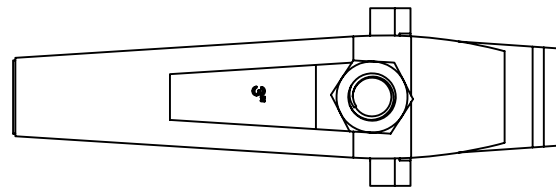
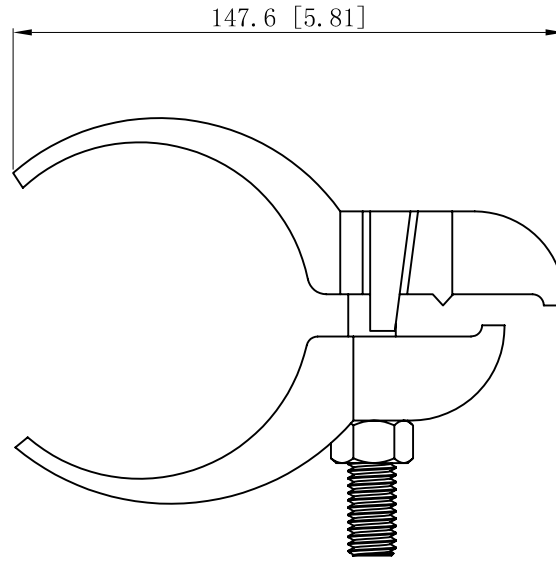
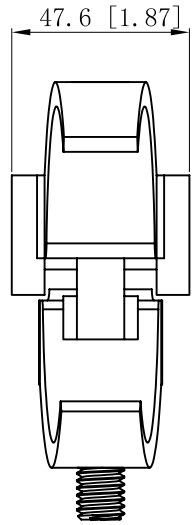


SIDES	BOTTOM
1 pcs #1/2-13×3 screw install	
1 pcs #1/2-13 hex nut install	
Material: malleable casting, Zinc plated	



DESCRIPTION
TRADE REFERENCE TERMS

STANDARD PACKING
10 PCS

This data sheet is for reference only .GARVIN INDUSTRIES reserves the right to make changes to the design without prior notice.		
GARVIN INDUSTRIES		
CONDUT CLAMPS		
SIZE	DWG NO.	REV
A4	PAR300	
DATA SHEET		