



Southwire™

TOP-BITE SADDLE TYPE CONNECTORS

45° WITH INSULATED THROAT

FEATURES

- With insulated throat
- Male hub threads - NPSM
- One piece malleable construction affording extra strength
- Dual gripping saddle clamps
- Saddle clamps ride up and down on screw for ease of installation
- Tri combo head screw

APPLICATION

- To connect Flex, AC, and MC cables to a box or enclosure

STANDARD MATERIAL

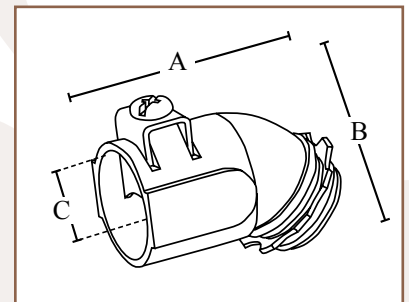
- Malleable iron
- Steel locknuts
- Steel clamps

STANDARD FINISH

- Zinc plated



230TBS



PART #	SIZE	KO	INNER QTY.	MASTER QTY.	WEIGHT/ CASE (LBS.)	OPENING MIN.	CABLE MAX.	A	B	C
230TBS	3/8"	1/2"	50	300	46	.437"	.656"	1.81"	1.75"	.94"
231TBS	1/2"	1/2"	25	150	39	.75"	.937"	2.13"	2.13"	1.25"
232TBS	3/4"	3/4"	20	120	38	.906"	1.125"	2.38"	2.31"	1.44"

Rev. 0, 05/23

**BUILT FOR DURABILITY.
BUILT FOR RELIABILITY.
BUILT FOR WORK.™**

1-855-798-6657 | SOUTHWIRE.COM

©2023 Southwire Company, LLC. All rights reserved.
*Registered Trademark & ™Trademark of Southwire Company, LLC.



Southwire™

TOP-BITE SADDLE TYPE CONNECTORS

45° WITH INSULATED THROAT

UL LISTED COMPATIBLE CABLES

PART #	KO SIZE	SIZE	CABLE TYPE	CABLE SIZE	OPENING MAX.	OPENING MIN.	WIRE BUNDLE DIAMETER MIN.	WIRE BUNDLE DIAMETER MAX.
230TBS	1/2"	3/8"	AC STEEL	14/2, 14/3, 14/4, 12/2, 12/3, 12/4, 10/2	0.660	0.450	0.210	0.320
			AC STEEL HCF	14/2, 14/3, 14/4, 12/2, 12/3, 12/4, 10/2	0.660	0.450	0.220	0.330
			AC ALUMINUM	14/2, 14/3, 14/4, 12/2, 12/3, 12/4, 10/2	0.660	0.450	0.210	0.320
			AC ALUM HCF	14/2, 14/3, 14/4, 12/2, 12/3, 12/4, 10/2	0.660	0.450	0.220	0.330
			MCI STEEL	14/2, 14/3, 14/4, 12/2, 12/3, 12/4, 10/2	0.660	0.450	0.220	0.330
			MCI ALUMINUM	14/2, 14/3, 14/4, 12/2, 12/3, 12/4, 10/2	0.660	0.450	0.220	0.330
			MCI-A	14/2, 14/3, 14/4, 12/2, 12/3, 12/4, 10/2, 10/3	0.590	0.400	0.220	0.345
			MCI-A HCF	14/2, 14/3, 14/4, 12/2, 12/3, 12/4, 10/2, 10/3	0.590	0.400	0.240	0.430
		FLEX CONDUIT	3/8"	0.610	0.560	---	---	
231TBS	1/2"	1/2"	AC STEEL	12/4, 10/2, 10/3, 10/4, 8/2, 8/3, 8/4, 6/2, 6/3	0.920	0.550	0.280	0.500
			AC STEEL HCF	12/4, 10/2, 10/3, 10/4, 8/2, 8/3, 8/4, 6/2, 6/3	0.920	0.550	0.310	0.550
			AC ALUMINUM	12/4, 10/2, 10/3, 10/4, 8/2, 8/3, 8/4, 6/2, 6/3	0.920	0.550	0.280	0.500
			AC ALUM HCF	12/4, 10/2, 10/3, 10/4, 8/2, 8/3, 8/4, 6/2, 6/3	0.920	0.550	0.310	0.550
			MCI STEEL	10/4, 8/2, 8/3	0.920	0.640	0.385	0.470
			MCI ALUMINUM	10/4, 8/2, 8/3	0.920	0.640	0.385	0.470
			MCI-A	12/4, 10/3, 8/4	0.770	0.520	0.310	0.530
			MCI-A HCF	12/4, 10/3, 8/4	0.770	0.520	0.360	0.580
		FLEX CONDUIT	1/2"	0.920	0.860	---	---	
232TBS	3/4"	3/4"	AC STEEL	6/4, 4/2, 4/3	1.075	0.930	0.620	0.680
			AC STEEL HCF	6/4, 4/2, 4/3	1.075	0.930	0.650	0.700
			AC ALUMINUM	8/3, 8/4, 6/3, 6/4, 4/2, 4/3	1.075	0.680	0.620	0.680
			AC ALUM HCF	8/3, 8/4, 6/3, 6/4, 4/2, 4/3	1.075	0.680	0.650	0.700
			MCI STEEL	8/3, 8/4, 6/3, 6/4, 4/2, 4/3	1.075	0.730	0.470	0.700
			MCI ALUMINUM	6/4, 4/3	1.075	0.930	0.470	0.700
			MCI-A	8/4, 6/4	1.110	0.770	0.530	0.610
			MCI-A HCF	8/4, 6/4	1.110	0.770	0.580	0.750
		FLEX CONDUIT	3/4"	1.105	1.045	---	---	

Rev. 0, 05/23

**BUILT FOR DURABILITY.
BUILT FOR RELIABILITY.
BUILT FOR WORK.™**

1-855-798-6657 | SOUTHWIRE.COM

©2023 Southwire Company, LLC. All rights reserved.
*Registered Trademark & ™Trademark of Southwire Company, LLC.