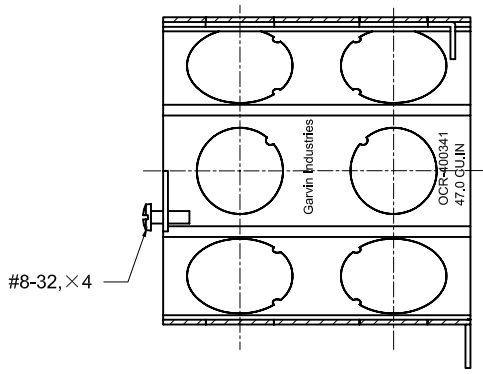
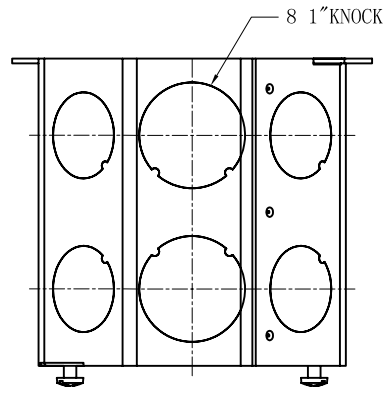


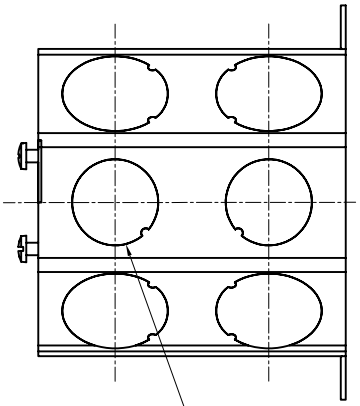
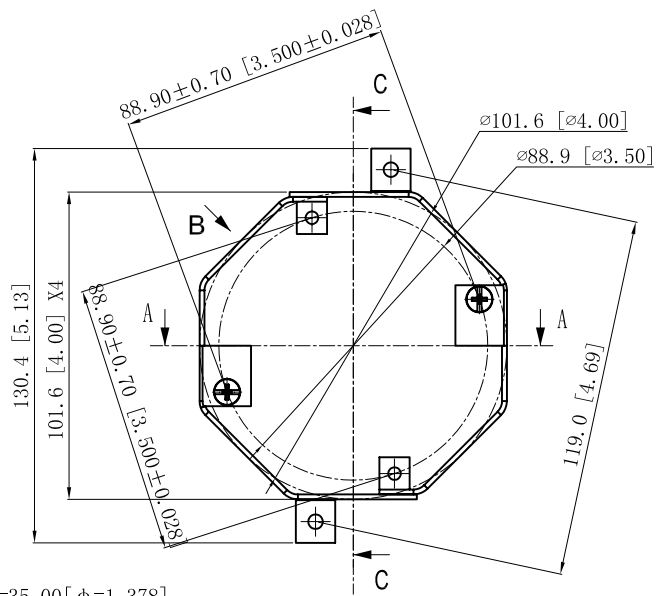
<b>SIDES</b>	<b>BOTTOM</b>
8 3/4" KNOCKOUTS	
8 1" KNOCKOUTS	
2 PCS 8-32x1/2 Screws Installed	
Material: Steel-0.0625"-G60 Galvanized	



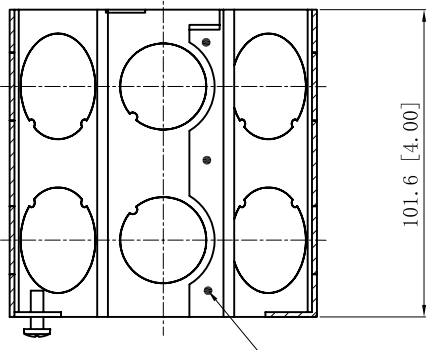
CUTAWAY VIEW C-C



VIEW B

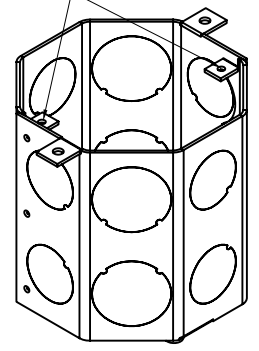


8 3/4" KNOCKOUTS  $\phi=28.5$  [ $\phi=1.122$ ]



CUTAWAY VIEW A-A

F:U the hole with wax



<b>DESCRIPTION</b>
<b>TRADE REFERENCE TERMS</b>

This data sheet is for reference only .GARVIN INDUSTRIES reserves the right to make changes to the design without prior notice.

STANDARD PACKING	<h1 style="text-align: center;">GARVIN INDUSTRIES</h1> <h2 style="text-align: center;">OCTAGON CONCRETE RINGS</h2>		
10 PCS	SIZE	DWG NO.	REV
	A4	OCR-400341	A
DATA SHEET			