



**Southwire**<sup>®</sup>

# BOX SUPPORT SYSTEM

## SNAP-ON BOX SUPPORT

### APPLICATION

Clip-on feature easily attaches electrical boxes to studs.

### FEATURES

- Snaps on to metal/wood studs
- Clips onto box
- Center hole allows for screw attachment

### MATERIAL/FINISH

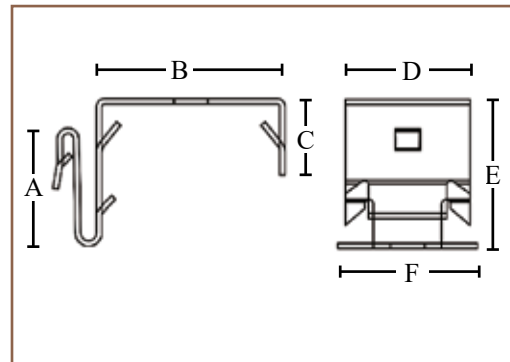
Spring Steel/ GEOSEAL™

### CERTIFICATIONS

UL Standard: UL 2239



MSFTZ



PART #	A	B	C	D	E	F	BOX QTY.
MSFTZ	.962"	1.54"	.622"	1"	1.20"	1.12"	100

Rev. 0, 01/23

**BUILT FOR DURABILITY.  
BUILT FOR RELIABILITY.  
BUILT FOR WORK.™**

1-855-798-6657 | SOUTHWIRE.COM

©2023 Southwire Company, LLC. All rights reserved.  
\*Registered Trademark & ™Trademark of Southwire Company, LLC.