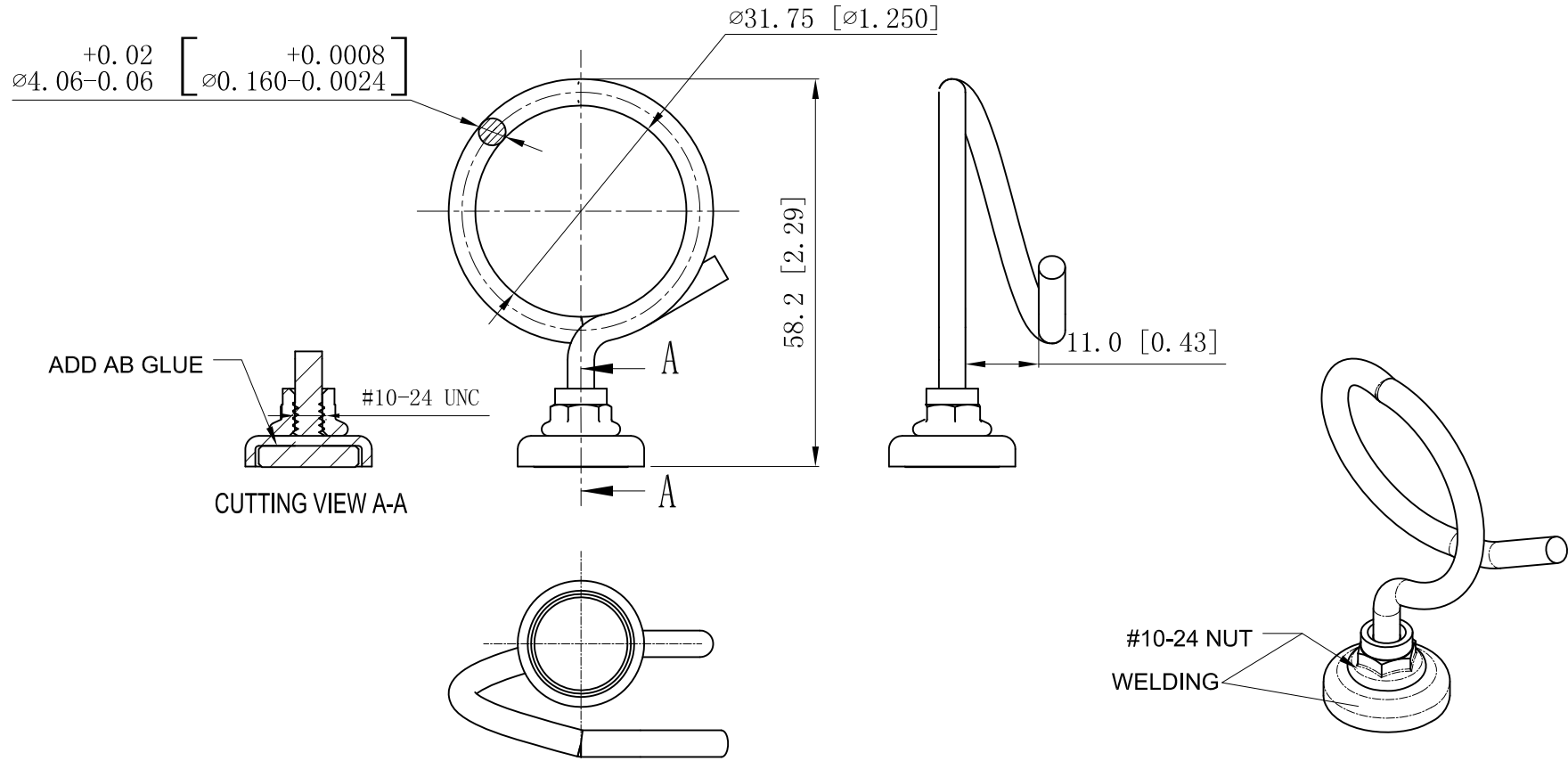


SIDES	BOTTOM
Material: Steel-0.16"-(C1008-C1018) White powder coating	



This data sheet is for reference only .GARVIN INDUSTRIES reserves the right to make changes to the design without prior notice.

DESCRIPTION
TRADE REFERENCE TERMS

STANDARD PACKING

<b>GARVIN INDUSTRIES</b>		
TITLE MACHINE-SCREW BRIDLE RIGS		
SIZE A4	DWG NO. BRM-125WH	REV
DATA SHEET		