



Southwire™

DUPLEX CONNECTORS

2 SCREW - CLAMP TYPE - FOR BX, FLEX, NM & MC CABLE - ZINC

FEATURES

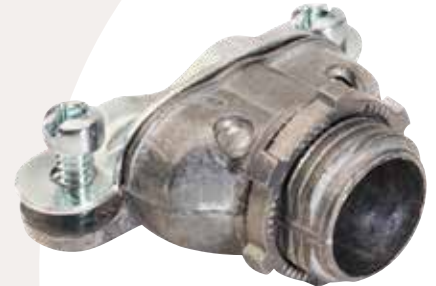
- Duplex 2 screw clamp type
- UL listed locknut
- Male hub NPT
- Tri-combo screw head

APPLICATION

- Indoor dry location use only
- Strap-type fitting used to connect flexible metallic conduit or armored cable to box or enclosure

STANDARD MATERIAL

- Zinc die cast
- Zinc plated steel strap

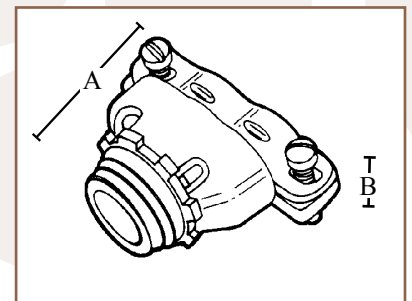


360

CABLE TYPE	CABLE SIZE	CABLE DIAMETER
ARMORED CABLE, STEEL	14/2 – 10/3	.48 – .58
ARMORED CABLE, ALUMINUM	14/2 – 10/3	.46 – .50
MCI-ALUMINUM	14/2 – 10/3	.488 – .810
MCI-STEEL	14/2 – 10/3	.47 – .60
MCI-A, ALUMINUM	14/2 – 10/3	.370 – .495
HCF, MCI A ALUMINUM	12/2 – 10/2	.418 – .495



PART #	SIZE	KO	INNER QTY.	MASTER QTY.	WEIGHT/ CASE (LBS.)	A	B (MIN. – MAX.)
360	3/8"	1/2"	25	250	32	1.68"	.24" – .63"



Rev. 0, 05/23

**BUILT FOR DURABILITY.
BUILT FOR RELIABILITY.
BUILT FOR WORK.™**

1-855-798-6657 | SOUTHWIRE.COM

©2023 Southwire Company, LLC. All rights reserved.
*Registered Trademark & ™Trademark of Southwire Company, LLC.