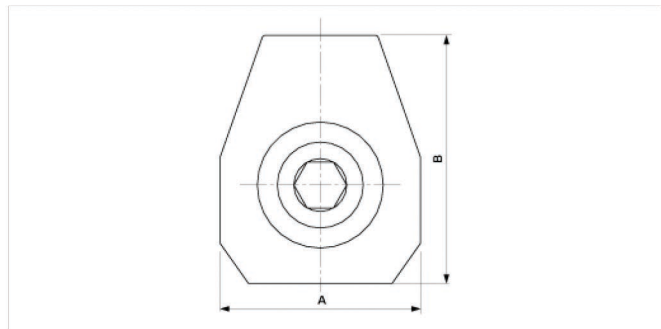


Contact wire clamp ETB for grooved contact wire 100-120 mm²

Item number D0134-01



Dimensions

A: 35 mm

B: 43.3 mm

Material and weight

Weight: 0.100 kg

Material: CuAl

Comments

- For grooved contact wire 80 till 120 mm²
(Other contact wire sections on request)



Southwire[™]



A COLAS RAIL COMPANY

Contact Us: Transit@southwire.com